

[54] PUMP

[75] Inventor: William S. Credle, Jr., Stone Mountain, Ga.

[73] Assignee: The Coca-Cola Company, Atlanta, Ga.

[\*\*] Term: 14 Years

[21] Appl. No.: 320,585

[22] Filed: Nov. 12, 1981

[51] Int. Cl. .... D15-02

[52] U.S. Cl. .... D15/7

[58] Field of Search ..... D15/7, 9; 417/393, 395, 417/423

D. 264,972 6/1982 McMillin et al. .... D15/7

D. 268,413 3/1983 Wilden ..... D15/7

2,679,209 5/1954 Fischer et al. .... 417/393

3,162,133 12/1964 Smith ..... 417/393

Primary Examiner—Wallace R. Burke  
 Assistant Examiner—Lynn Wilder  
 Attorney, Agent, or Firm—Birch, Stewart, Kolasch & Birch

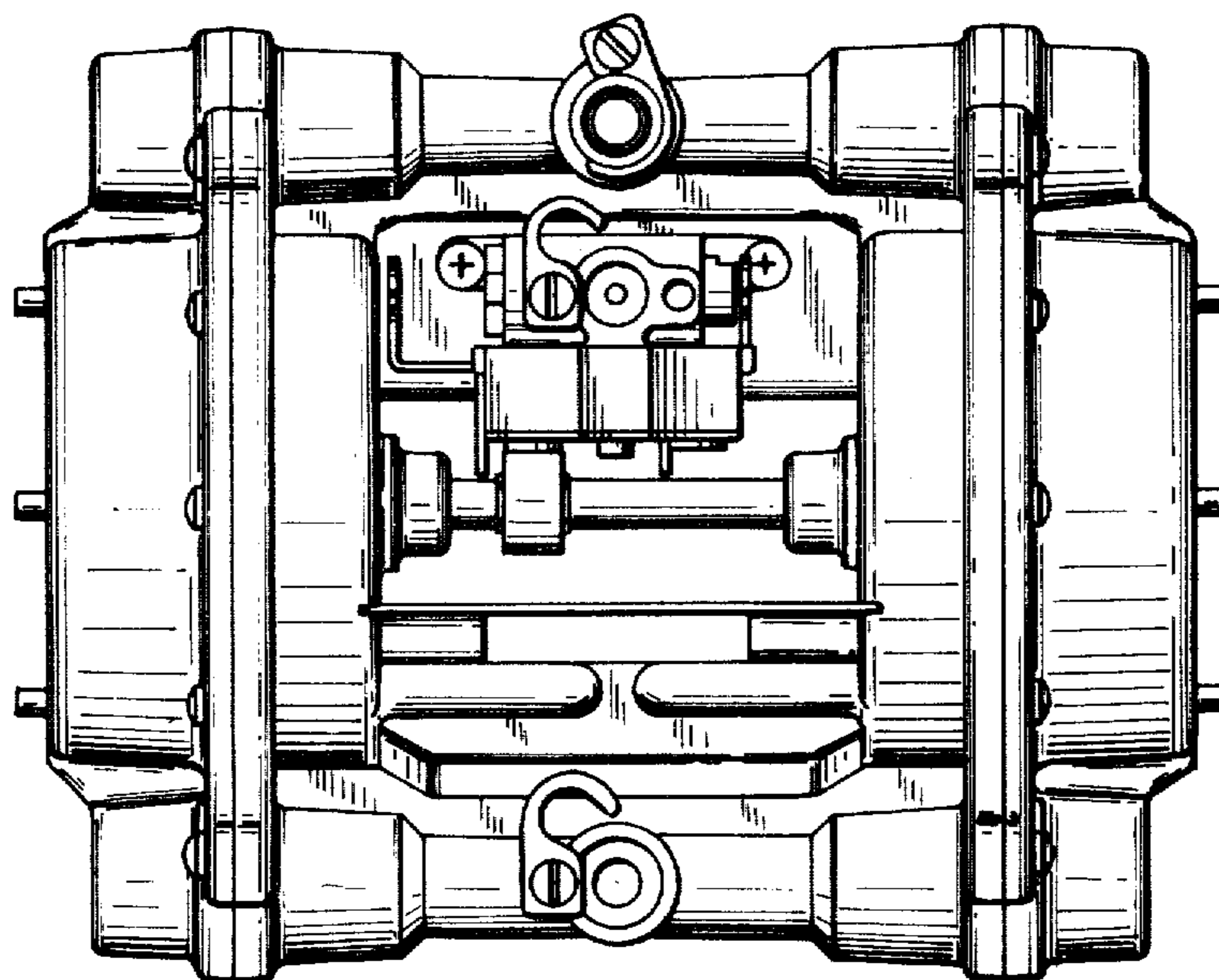
[57] CLAIM

The ornamental design for a pump, as shown and described herein.

DESCRIPTION

FIG. 1 is a front elevational view of a pump showing my new design;  
 FIG. 2 is a rear elevational view thereof;  
 FIG. 3 is a left end elevational view thereof;  
 FIG. 4 is a right end elevational view thereof;  
 FIG. 5 is a top plan view thereof; and  
 FIG. 6 is a bottom plan view thereof.

[56] **References Cited**  
 U.S. PATENT DOCUMENTS  
 D. 191,730 11/1961 Sheldon ..... D15/7



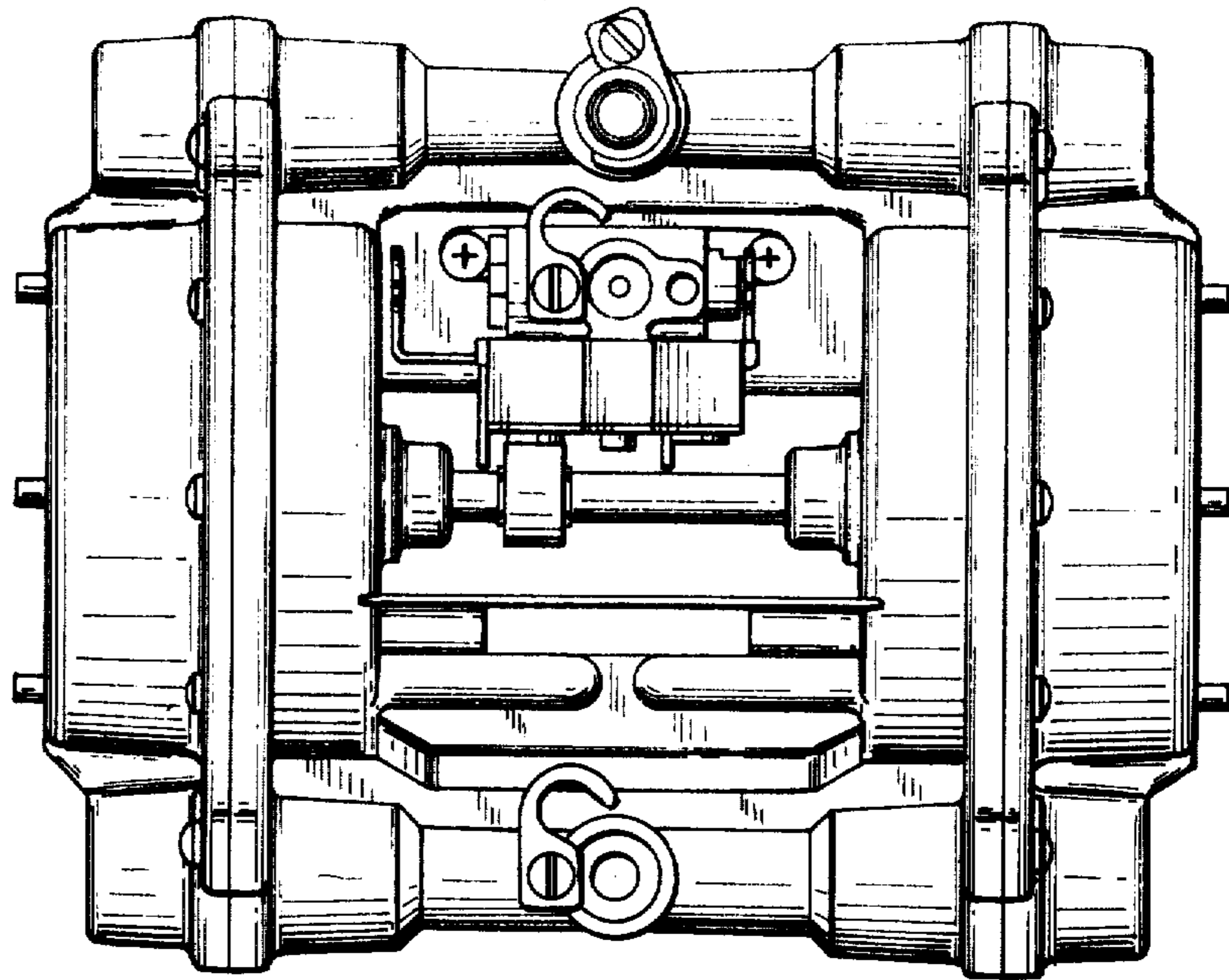


FIG. 1

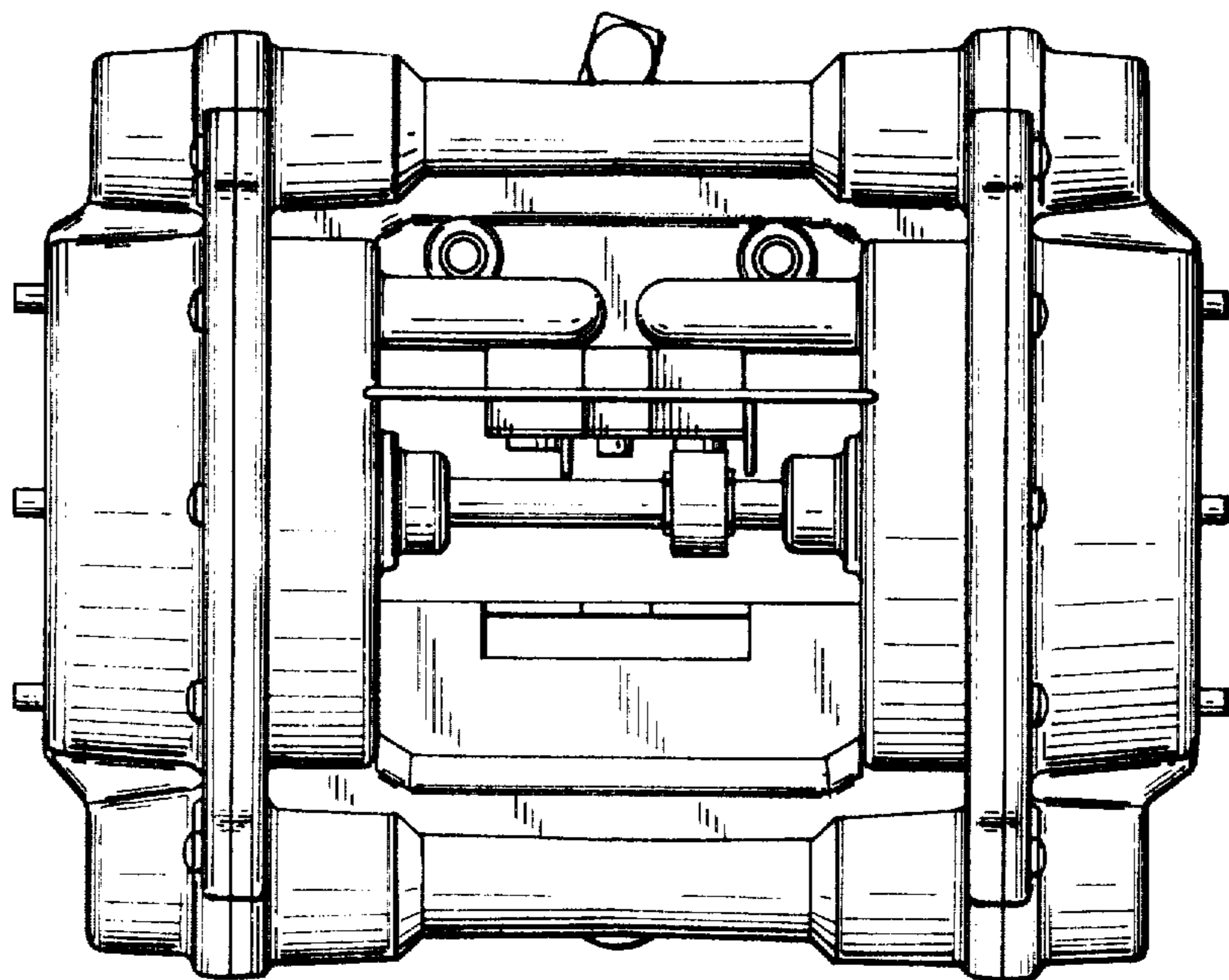


FIG. 2

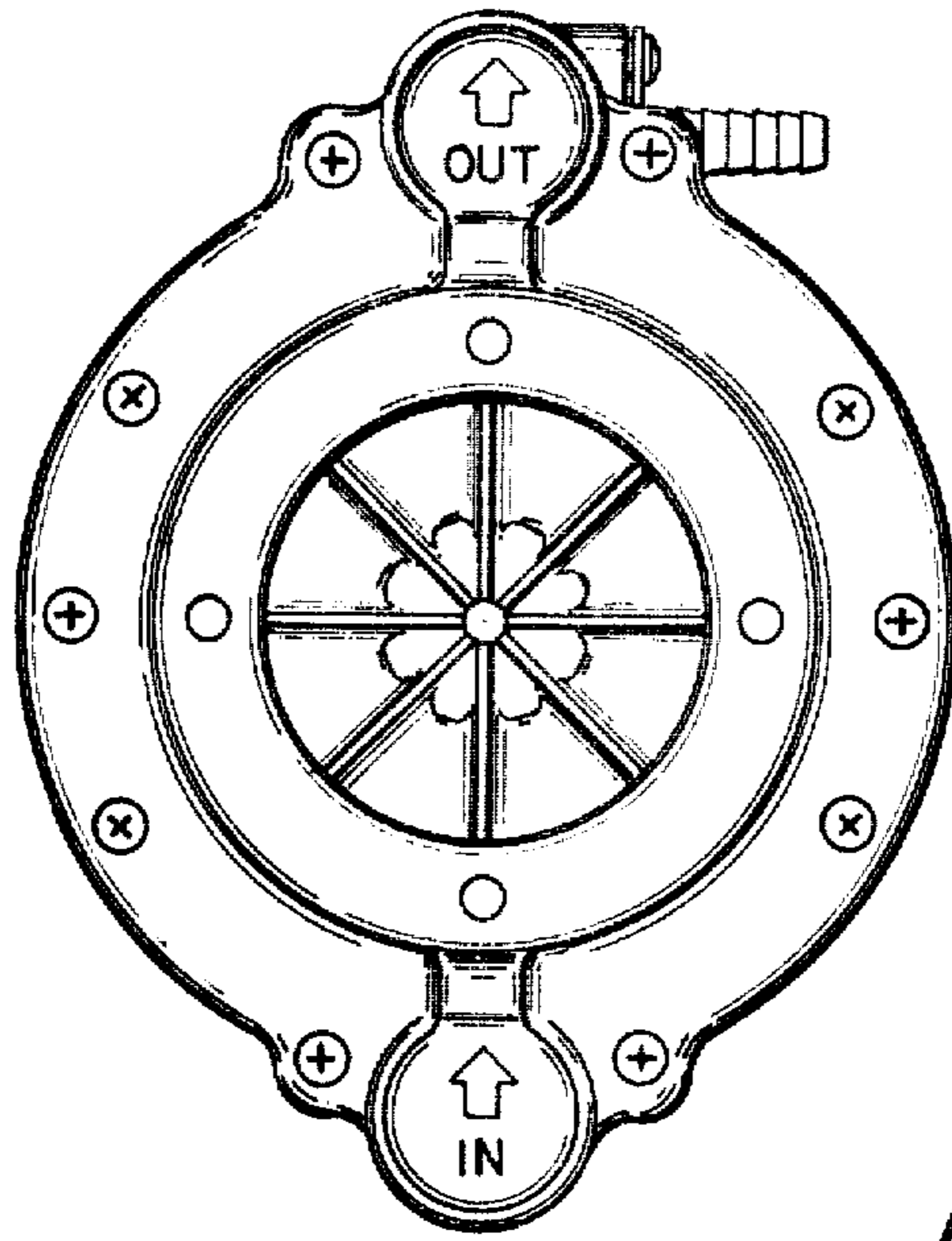


FIG. 3

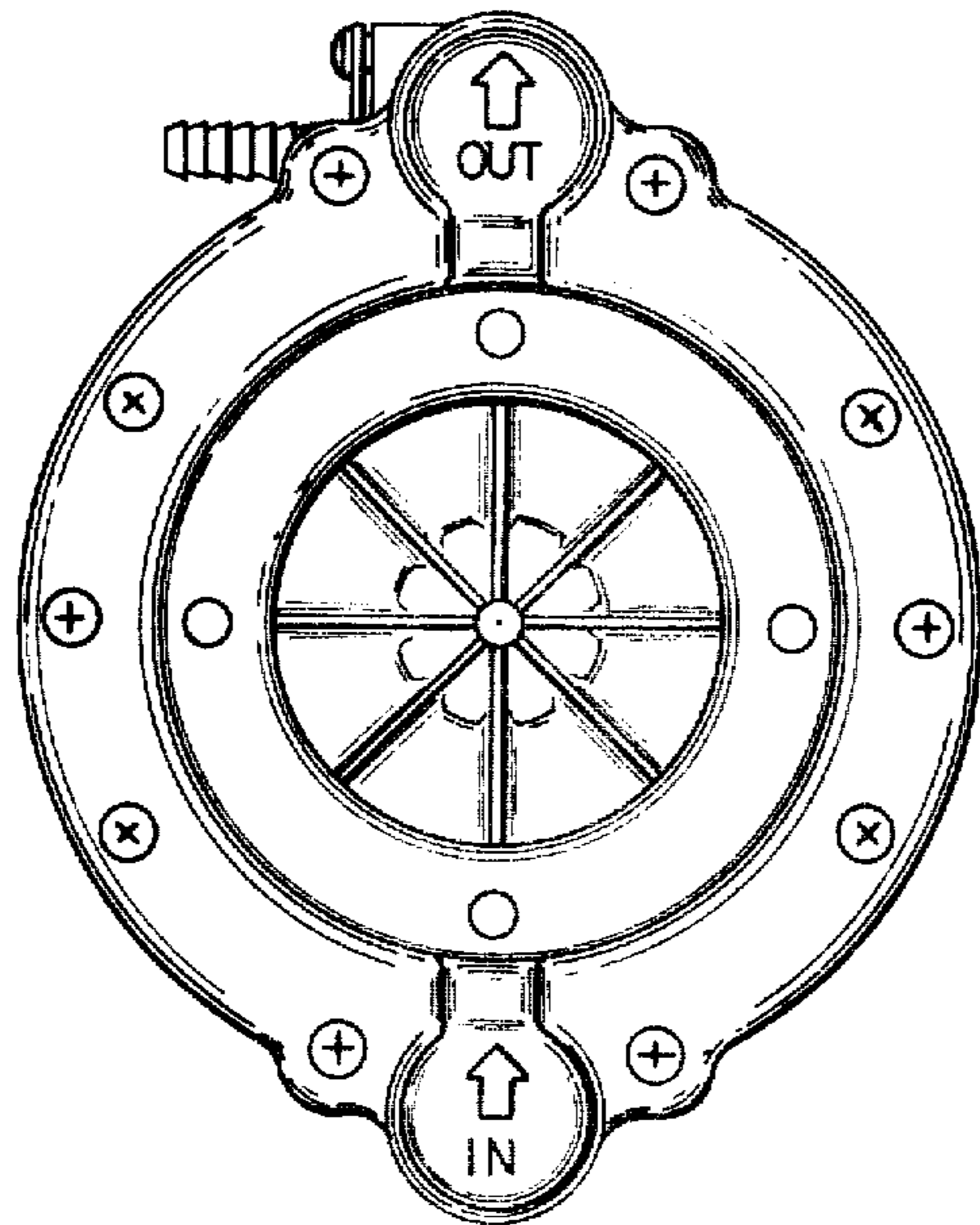


FIG. 4

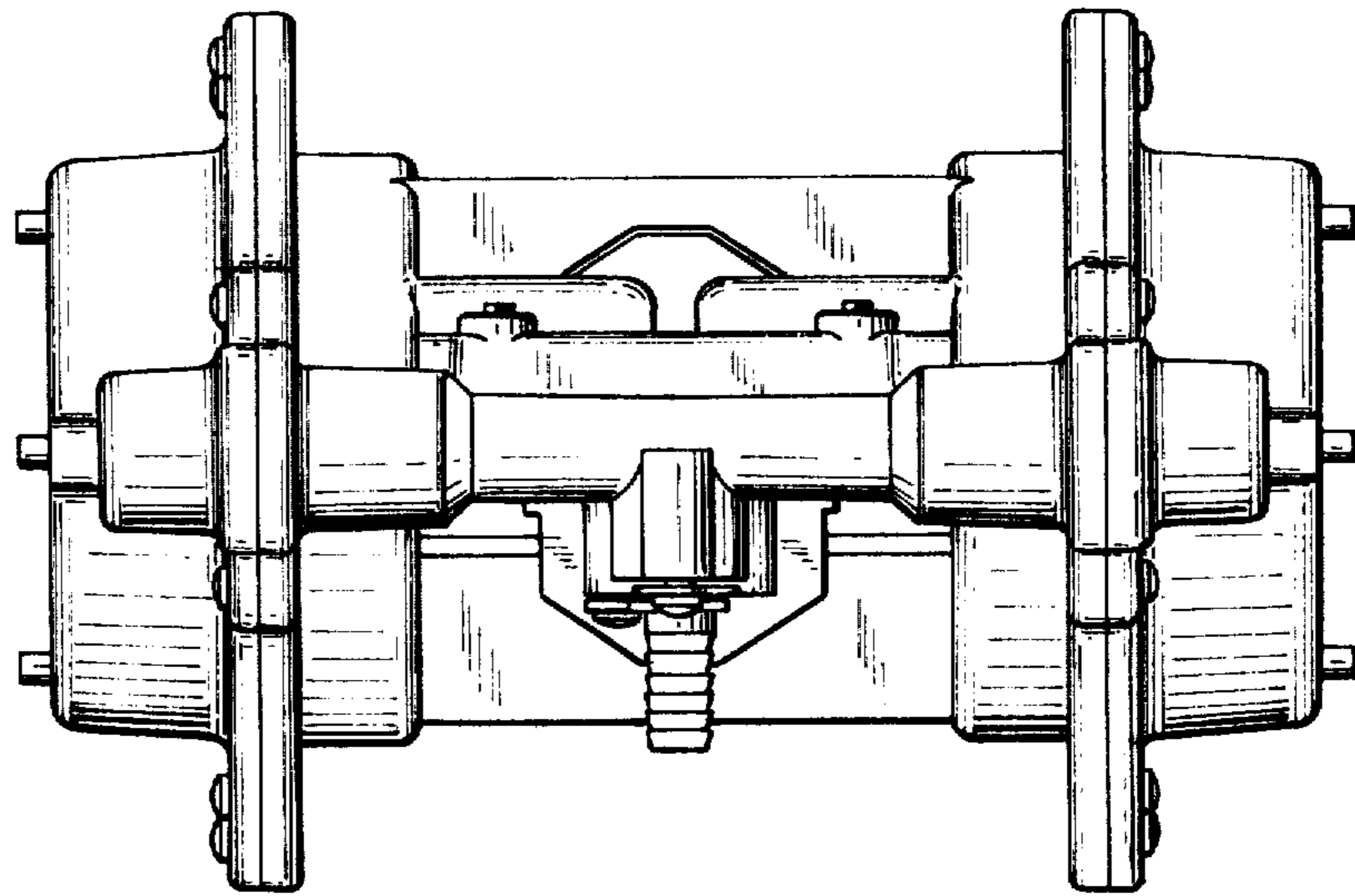


FIG. 5

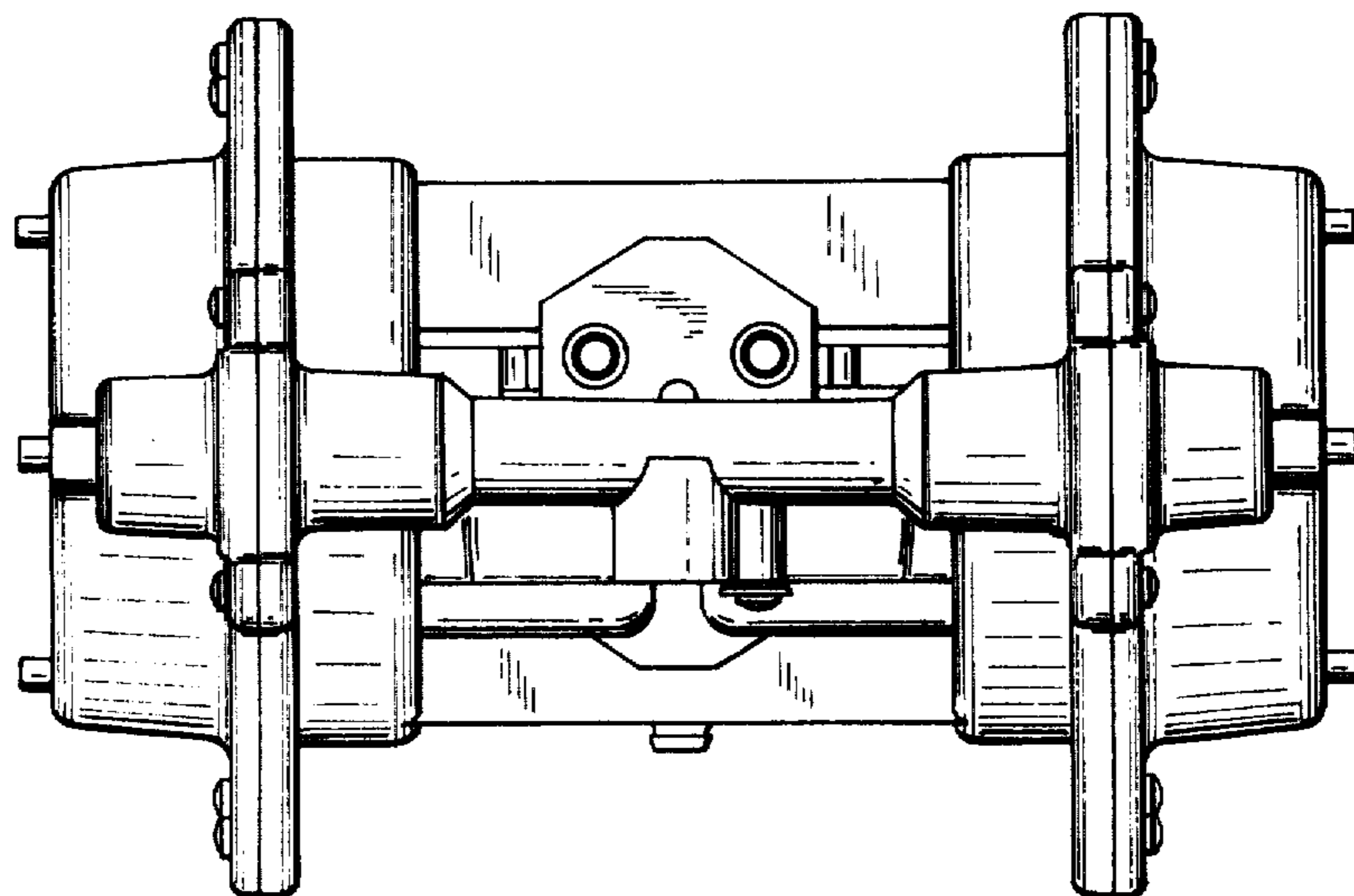


FIG. 6