

[54] TELEPHONE HANDSET

[75] Inventor: Peter B. Carr, Harpenden, England

[73] Assignee: International Standard Electric Corporation, New York, N.Y.

[**] Term: 14 Years

[21] Appl. No.: 239,735

[22] Filed: Mar. 2, 1981

[30] Foreign Application Priority Data

Aug. 28, 1980 [GB] United Kingdom 996341

[51] Int. Cl. D14-03

[52] U.S. Cl. D14/63; D14/64

[58] Field of Search D14/63, 64, 53, 58, D14/56; 179/100 R, 100 D, 100 C, 103, 178, 179, 146

[56] References Cited

U.S. PATENT DOCUMENTS

D. 209,910 1/1968 Tyson D14/63

D. 227,782 7/1973 Hazell et al. D14/63

D. 229,837 1/1974 Genaro et al. D14/63

D. 236,627 9/1975 Henshaw et al. D14/63

D. 245,602 8/1977 Genaro et al. D14/63

D. 256,583 8/1980 Marshall D14/63

D. 263,048 2/1982 Genaro et al. D14/63

D. 266,561 10/1982 Bee et al. D14/63

3,515,816 6/1970 Laing 179/100 R

3,558,831 1/1977 Prescott 179/100 R

Primary Examiner—Bernard Ansher

Attorney, Agent, or Firm—John T. O'Halloran; Peter R. Ruzek

[57] CLAIM

The ornamental design for a telephone handset, as shown.

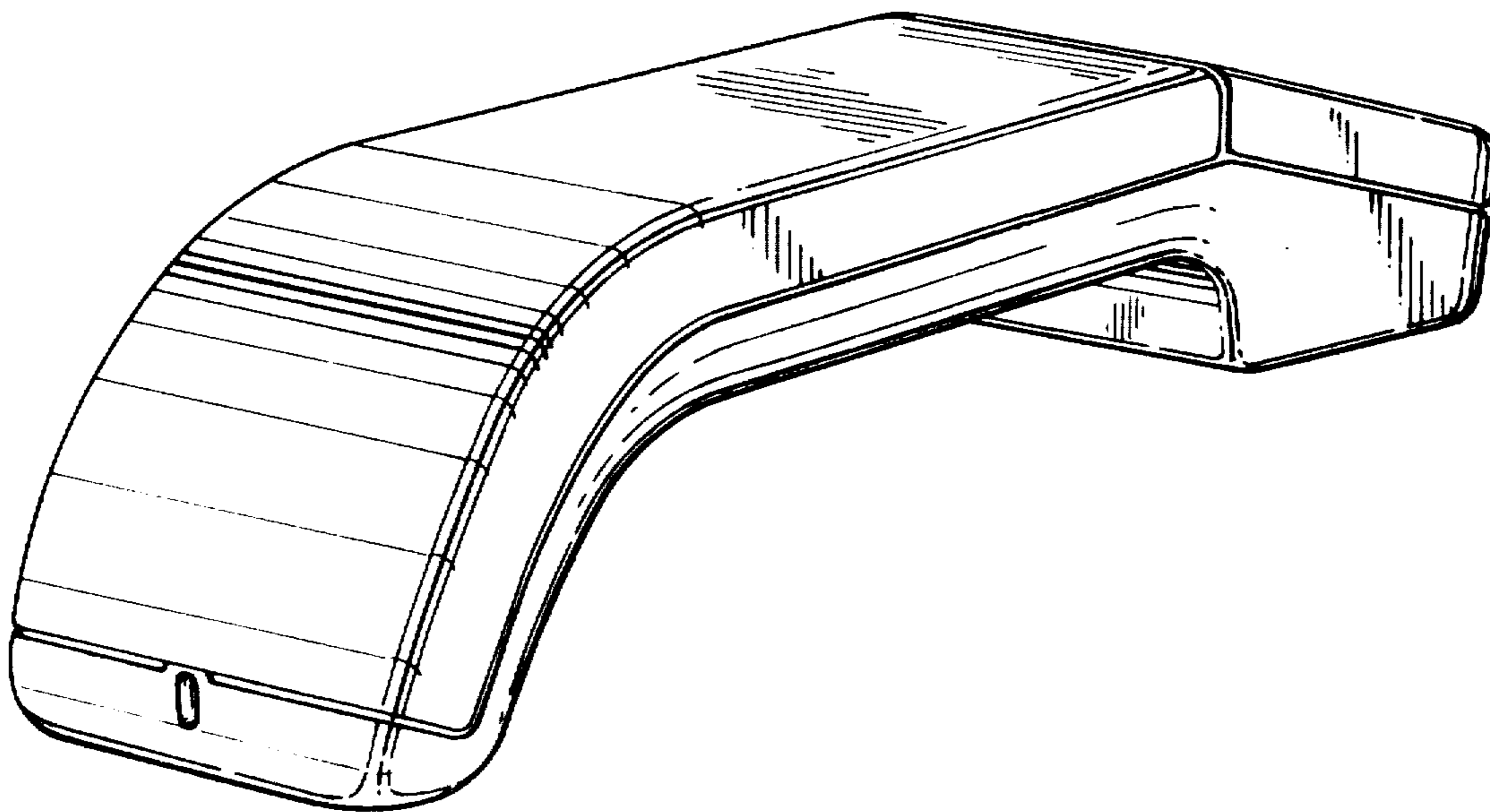
DESCRIPTION

FIG. 1 is a perspective view from above and one side of the telephone handset;

FIG. 2 is a view of the far end of the telephone handset;

FIG. 3 is a side view from one side the opposite side is similar of the telephone handset; and

FIG. 4 is a top plan view of the telephone handset.



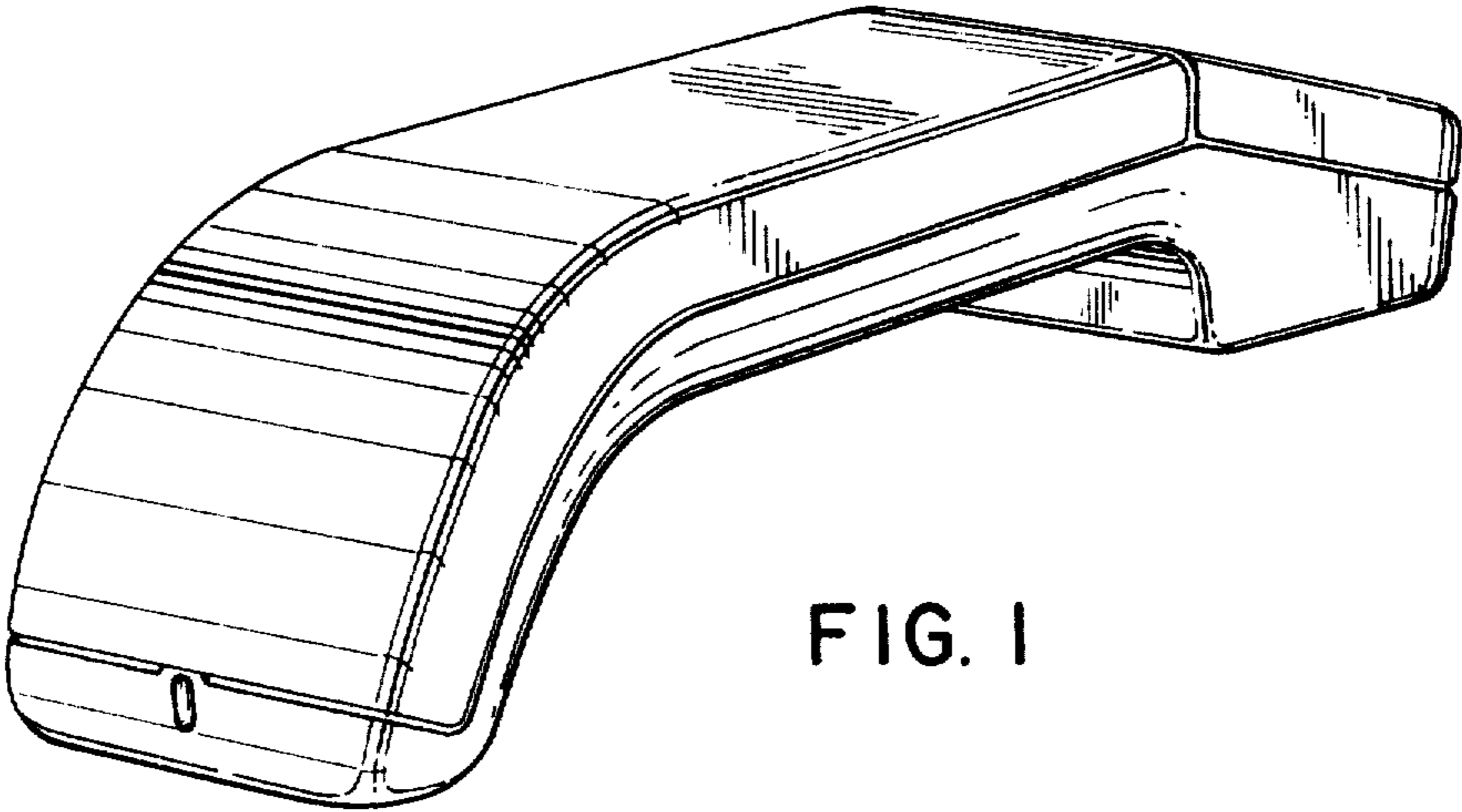


FIG. 1

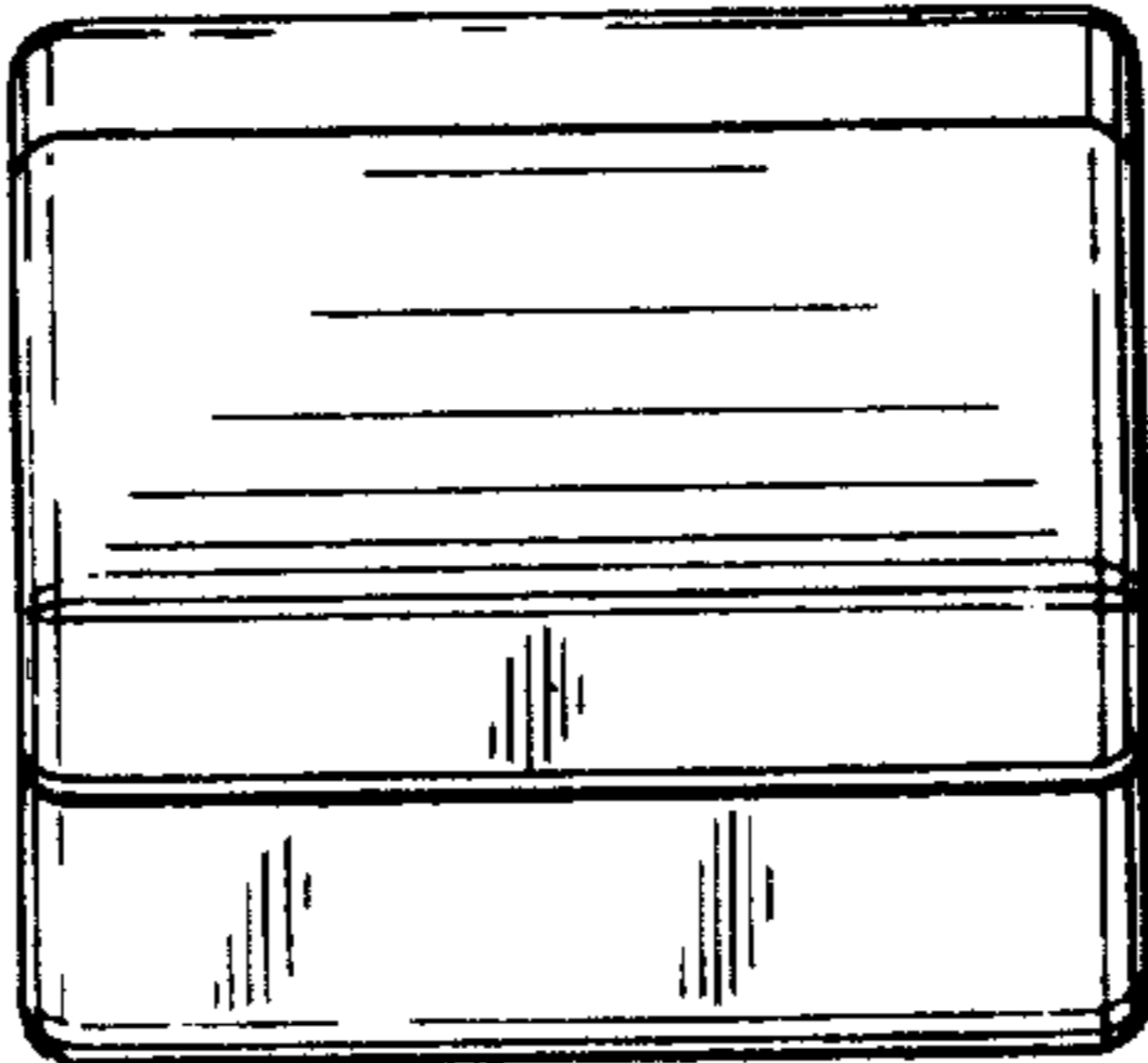


FIG. 2

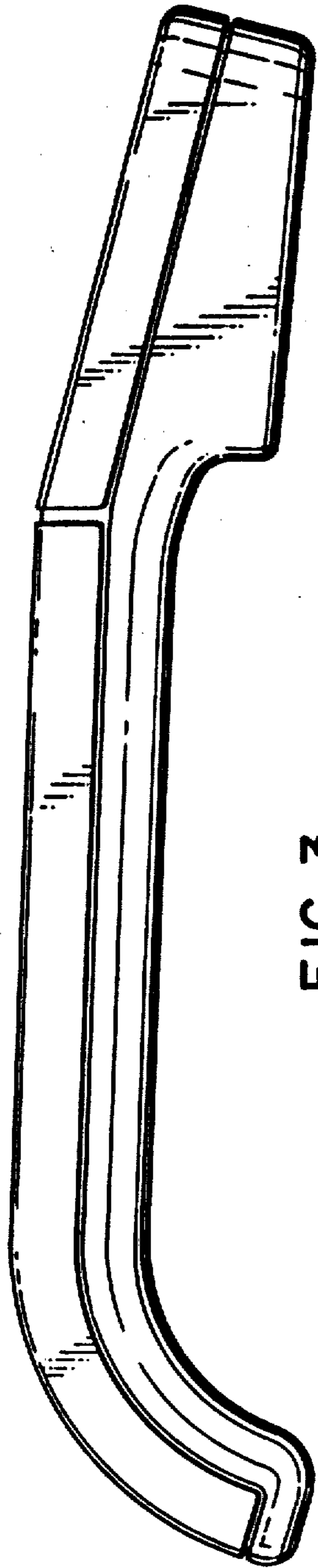


FIG. 3

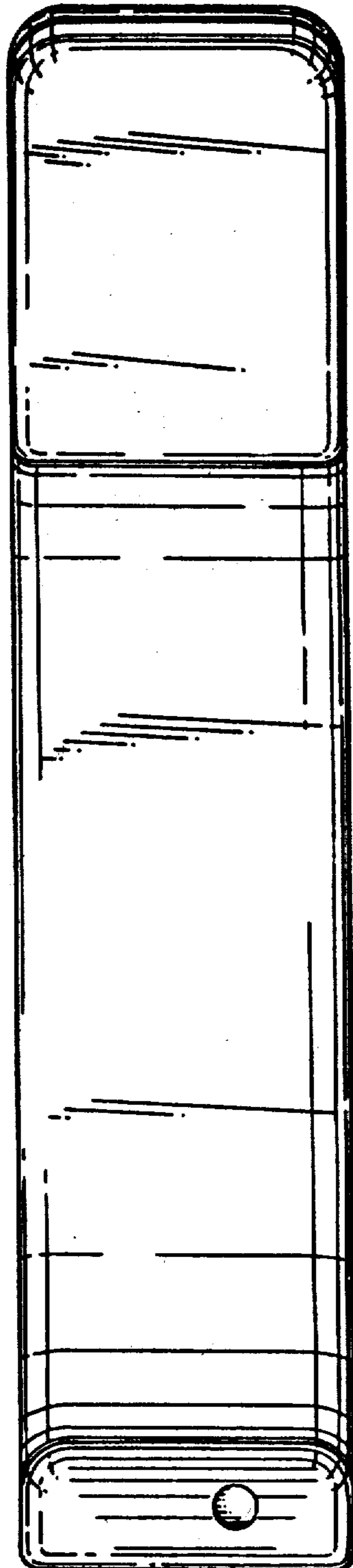


FIG. 4