

[54] CASSETTE FOR VIDEO TAPE RECORDER

4,303,955 12/1981 Kramer 242/198 X

[75] Inventors: Hidemichi Sumisha, Kadoma; Seikou Minamide, Nara, both of Japan

[73] Assignee: Matsushita Electric Industrial Co, Ltd., Osaka, Japan

[**] Term: 14 Years

[21] Appl. No.: 287,976

[22] Filed: Jul. 29, 1981

[30] Foreign Application Priority Data

Jan. 30, 1981 [JP] Japan 56-3440

[51] Int. Cl. D14-01

[52] U.S. Cl. D14/11

[58] Field of Search D14/11, 99; 242/198, 242/199; 206/387, 444

[56] References Cited

U.S. PATENT DOCUMENTS

D. 256,912 9/1980 Lonberger D14/11
D. 263,585 3/1982 Doodson D14/11

OTHER PUBLICATIONS

Stereo Review, 5-80, p. 7, "Memorex 90", bottom right corner item.

Primary Examiner—Jane E. Corrigan
Attorney, Agent, or Firm—Sughrue, Mion, Zinn, Macpeak, and Seas

[57] CLAIM

The ornamental design for a cassette for video tape recorder, as shown.

DESCRIPTION

FIG. 1 is a front, top and right side perspective view of a cassette for video tape recorder showing our new design;
FIG. 2 is a front elevational view thereof;
FIG. 3 is a right side elevational view thereof;
FIG. 4 is a top plan view thereof;
FIG. 5 is a rear elevational view thereof;
FIG. 6 is a left side elevational view thereof; and
FIG. 7 is a bottom plan view thereof.

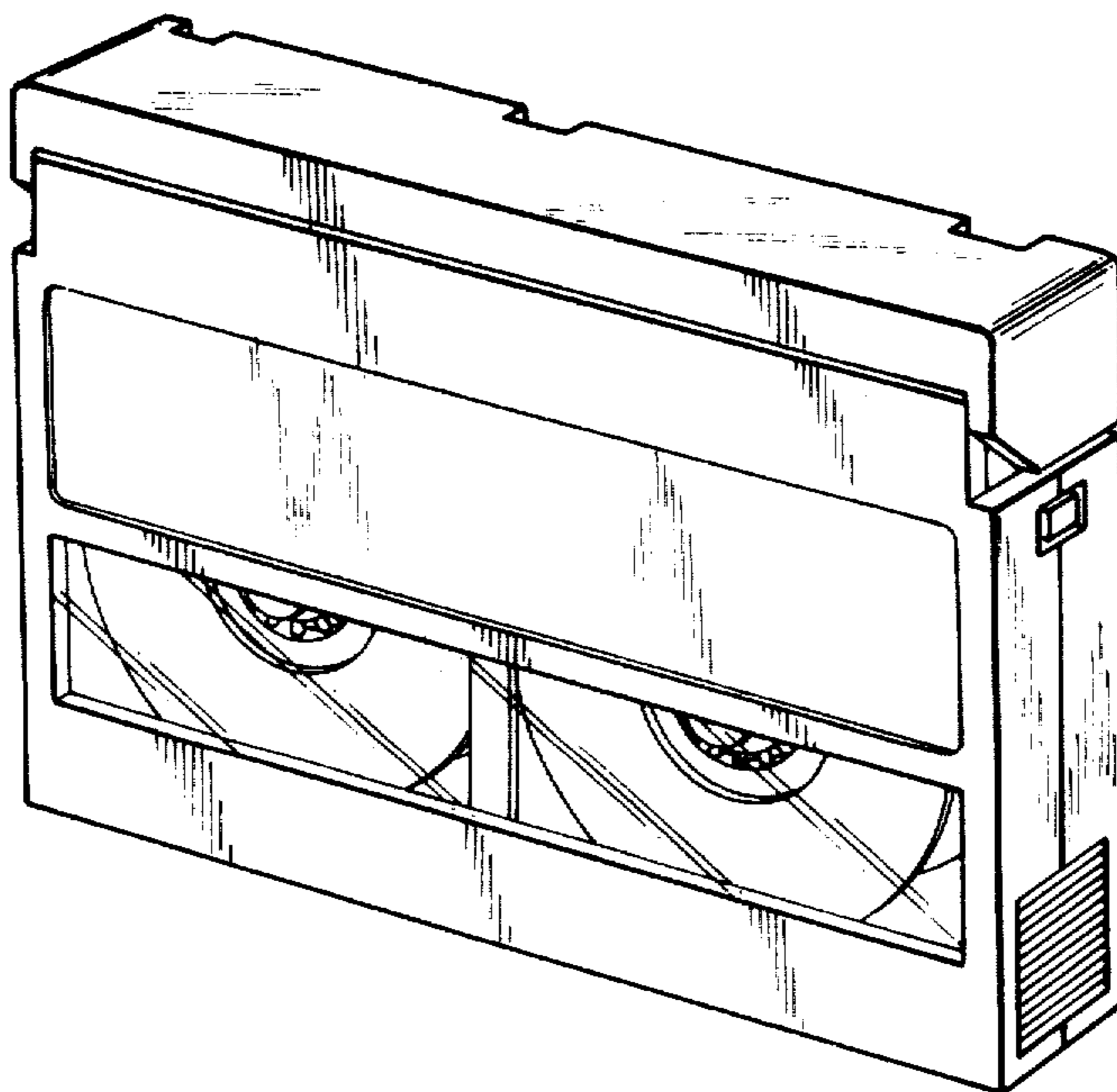


FIG. 1

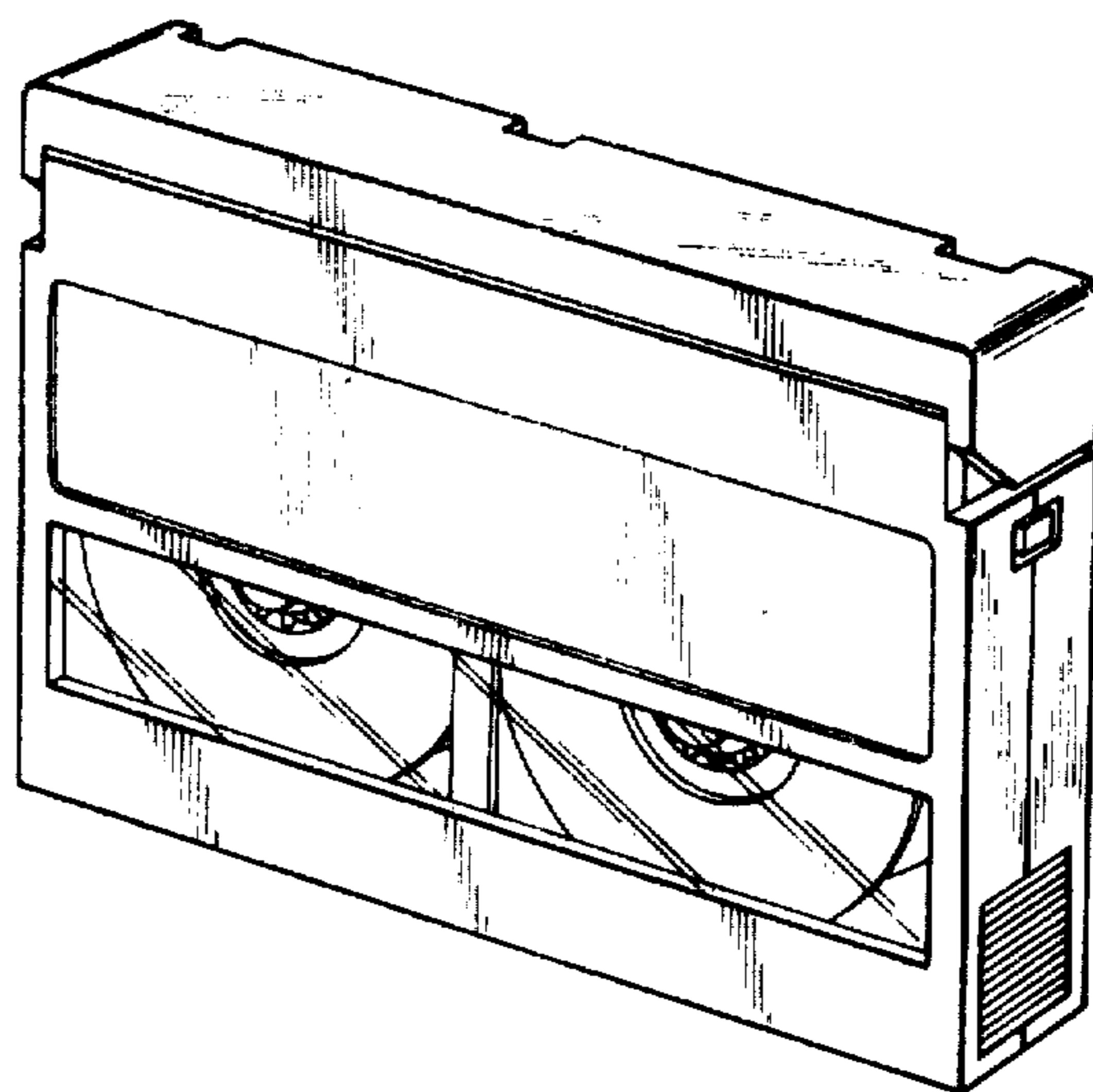


FIG. 2

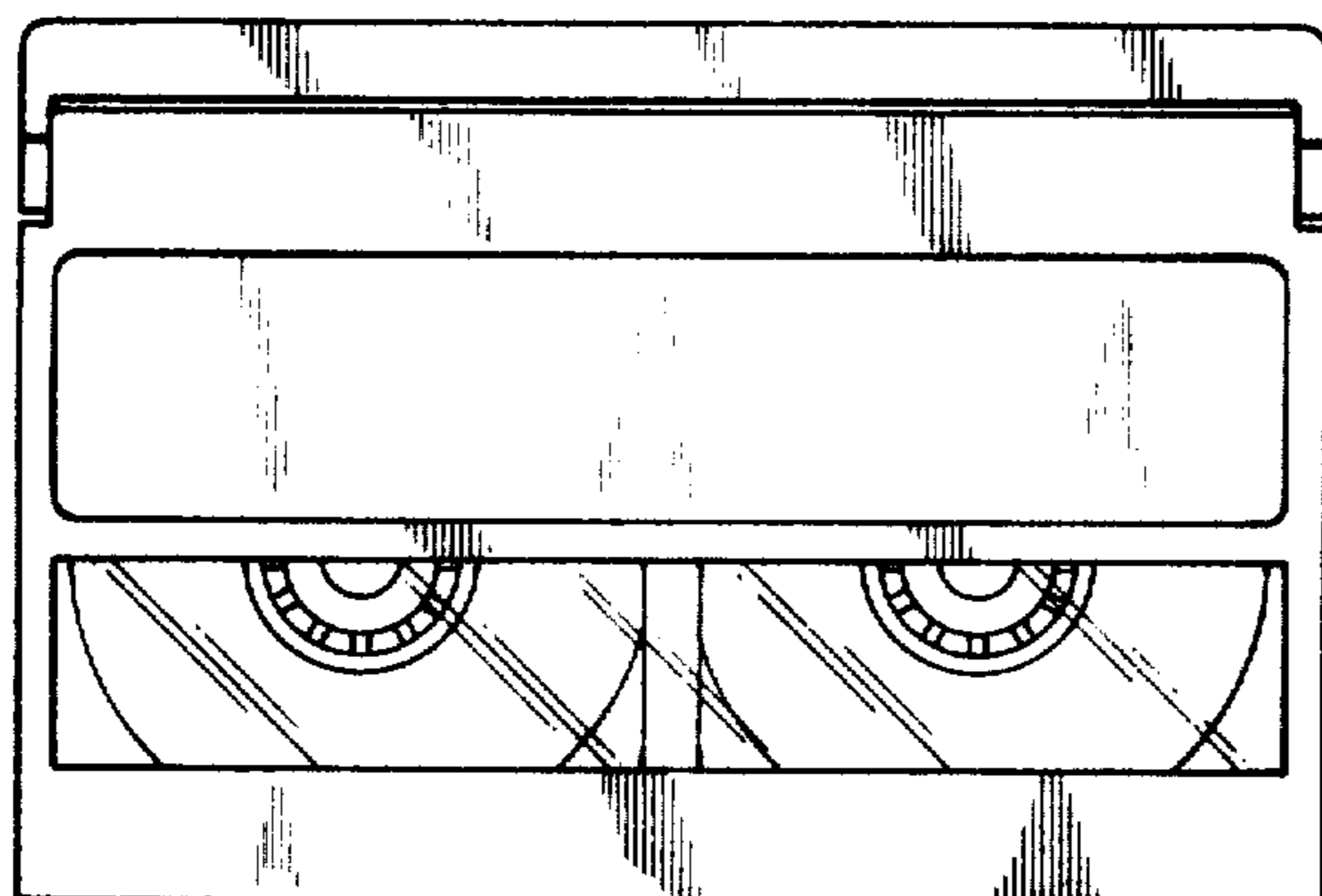


FIG. 3

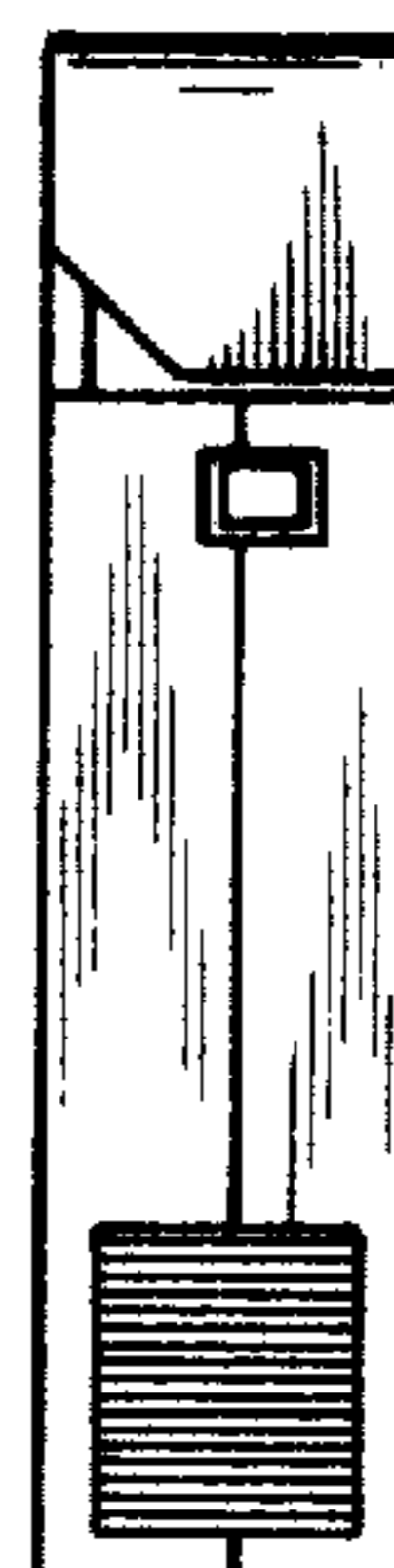


FIG. 4



FIG. 5

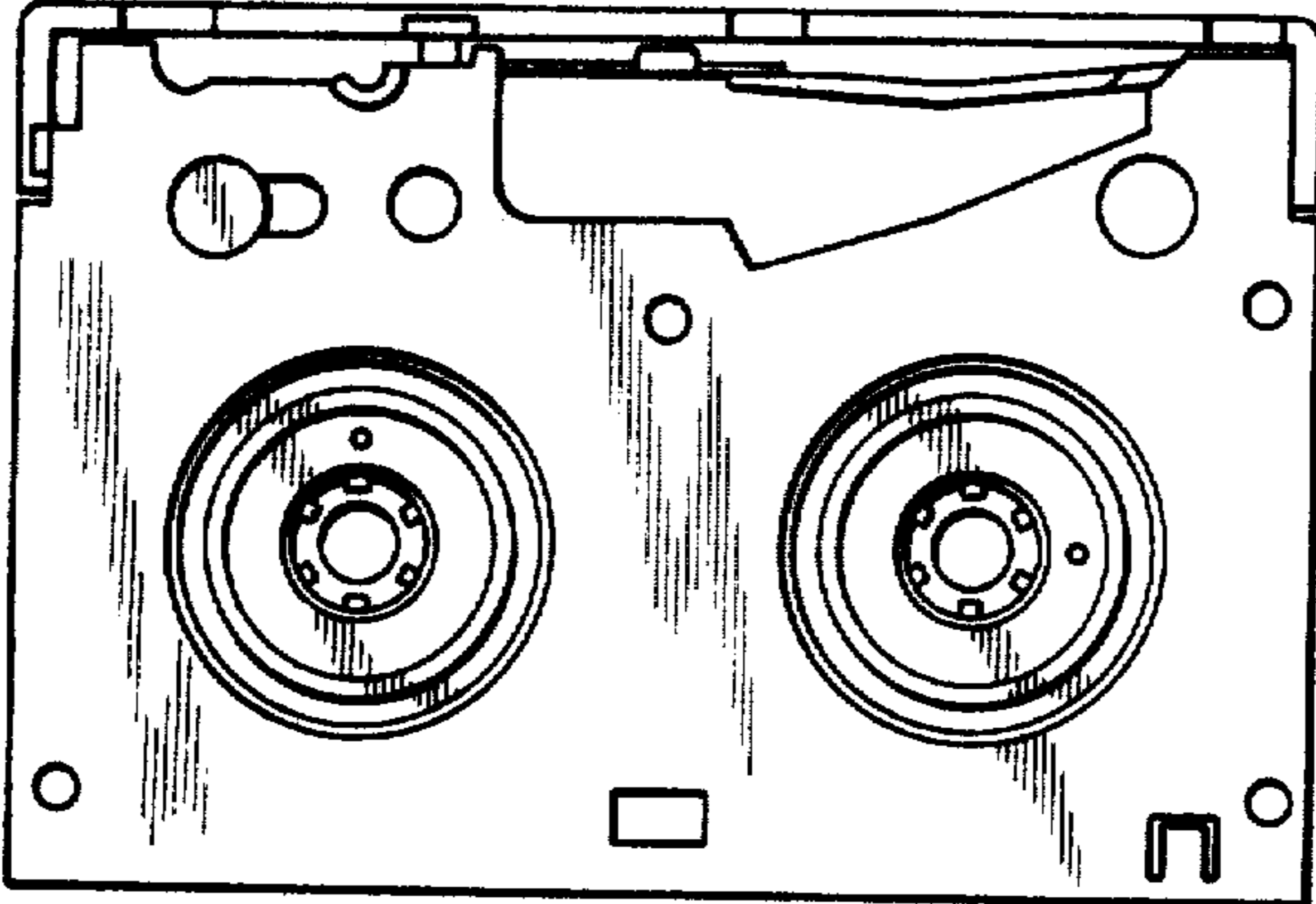


FIG. 6

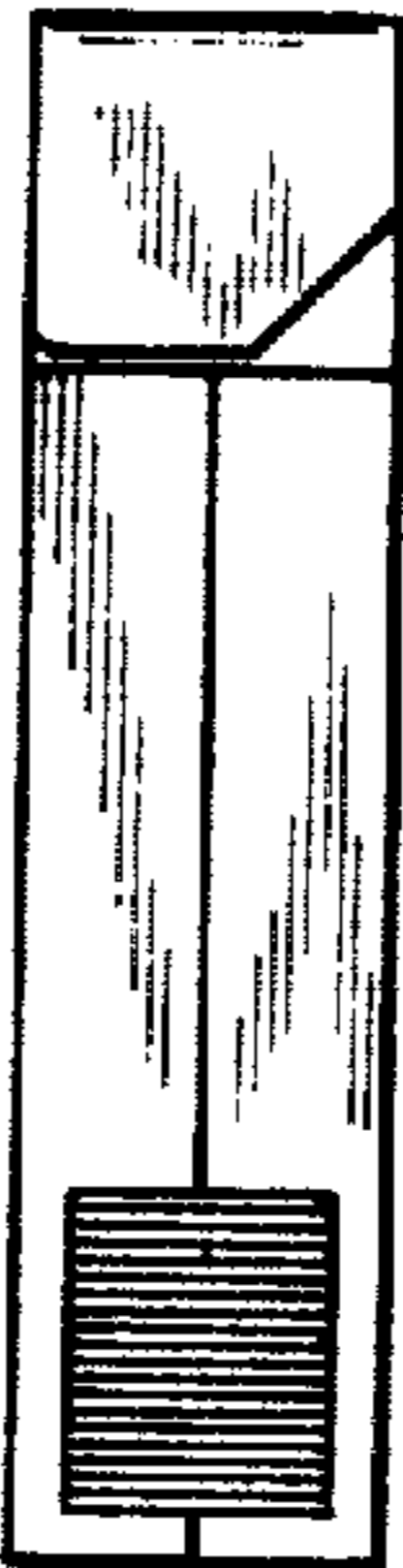


FIG. 7

