

[54] HELICOPTER

[76] Inventor: Buford J. Schramm, 1330 E. Fremont Dr., Tempe, Ariz. 85281

[**] Term: 14 Years

[21] Appl. No.: 146,621

[22] Filed: Apr. 28, 1980

[51] Int. Cl. D12-07

[52] U.S. Cl. D12/327

[58] Field of Search D12/326, 327; 244/17.11, 17.19, 17.21

[56] References Cited

U.S. PATENT DOCUMENTS

D. 196,016	8/1963	Ballauer et al.	D12/327
D. 209,353	11/1967	Schramm	D12/327
3,478,353	11/1969	Adams, Jr.	244/17.11
3,921,939	11/1975	Garfinkle	244/17.11

Primary Examiner—James M. Gandy

Attorney, Agent, or Firm—Donald D. Mon

[57] CLAIM

The ornamental design for a helicopter, as shown and described.

DESCRIPTION

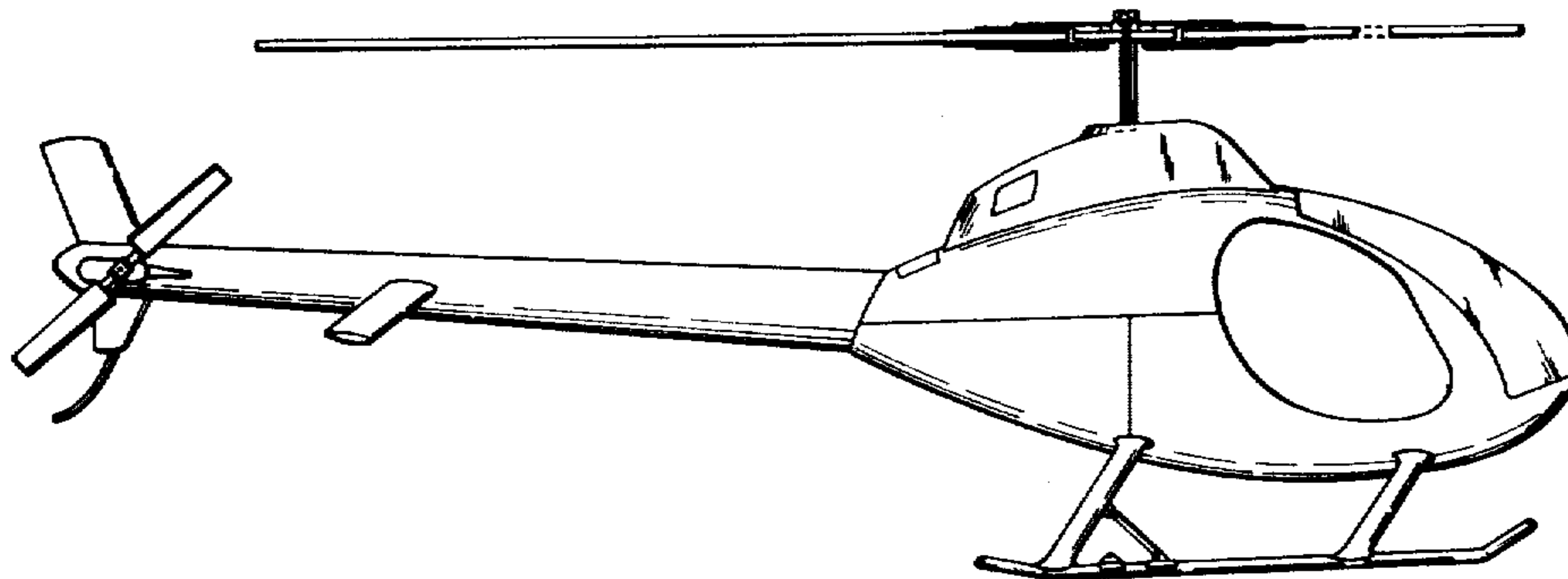
FIG. 1 is a right side elevational view of a helicopter showing my new design with the forward rotor blade broken away in the center for convenience of illustration it being understood that said forward rotor blade is of the same length as the rear upper rotor blade;

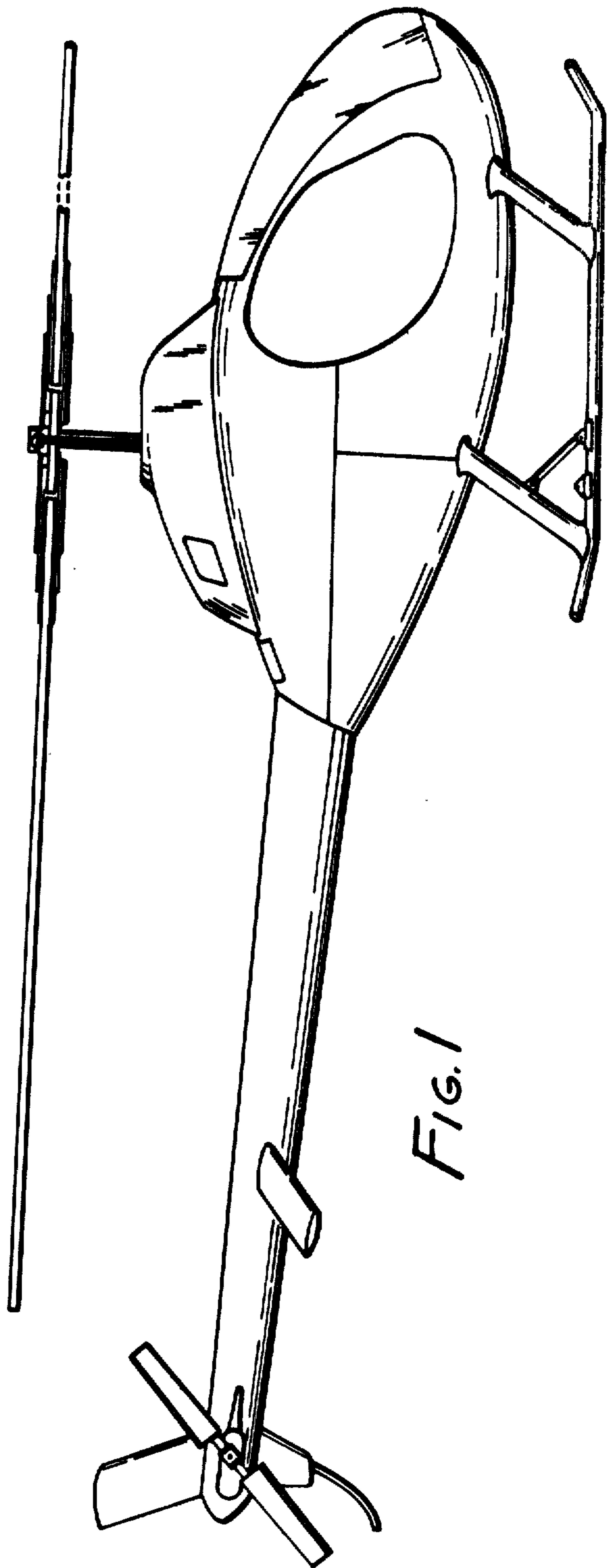
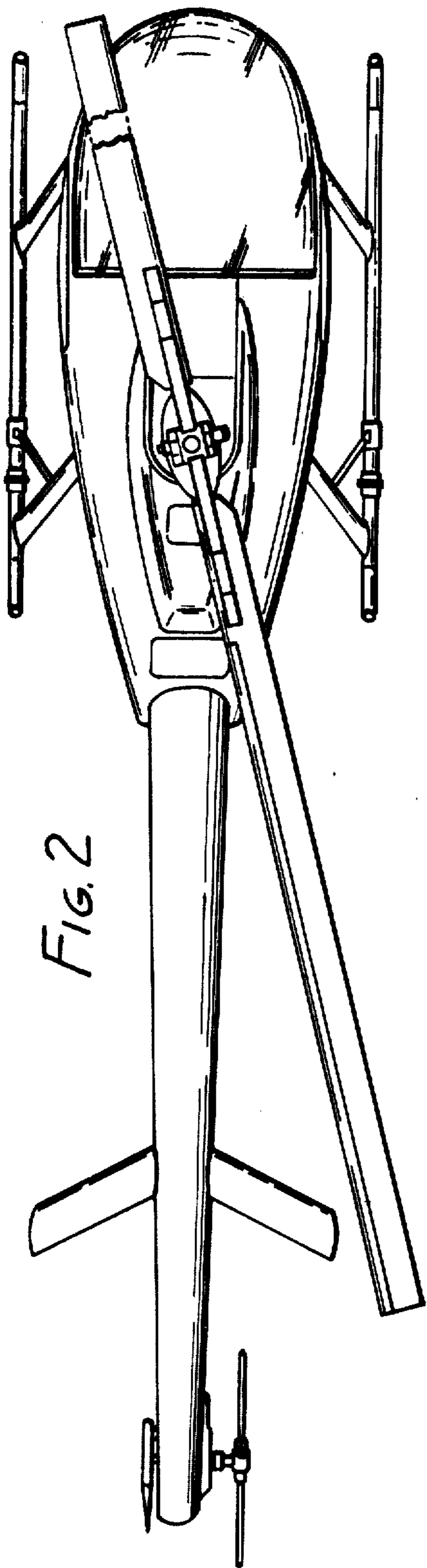
FIG. 2 is a top plan view thereof;

FIG. 3 is an enlarged front elevational view thereof with the two upper rotor blades broken away in the center for convenience of illustration; and

FIG. 4 is an enlarged rear elevational view thereof with the upper rotor blades omitted and the support structure for said blades broken away for convenience of illustration.

The side opposite to that shown in the drawing is a mirror image thereof except for the tail vane and tail rotor.





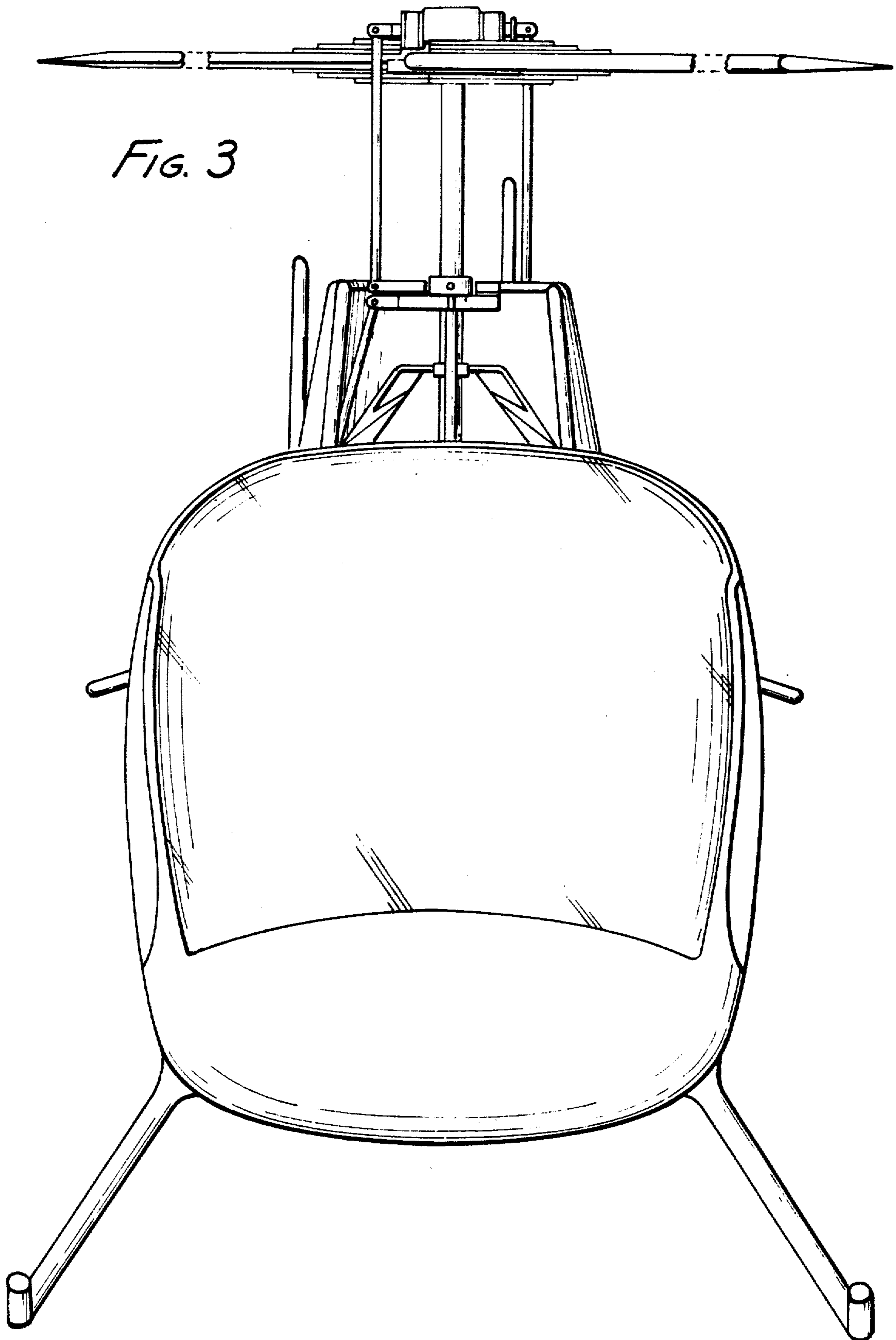


FIG. 4

