

[54] **CAMPING TRAILER**

[75] Inventor: **Robert E. Bourke**, Westport, Conn.

[73] Assignee: **NBS Incorporated**, Lakeview, Ohio

[\*\*] Term: **14 Years**

[21] Appl. No.: **232,019**

[22] Filed: **Feb. 6, 1981**

[51] Int. Cl. .... **D12-10**

[52] U.S. Cl. .... **D12/104; D12/156; D12/103**

[58] Field of Search ..... **D12/103, 104, 156; 280/423 R; 296/166, 168, 160, 164**

[56] **References Cited**

**U.S. PATENT DOCUMENTS**

D. 247,711 4/1978 Pittman ..... D12/156  
3,692,332 9/1972 Pappatheodorv ..... D12/103

**FOREIGN PATENT DOCUMENTS**

2811174 4/1979 Fed. Rep. of Germany ..... 296/164

*Primary Examiner*—James M. Gandy  
*Attorney, Agent, or Firm*—Robert E. Stebens

[57] **CLAIM**

The ornamental design for a camping trailer, substantially as shown and described.

**DESCRIPTION**

FIG. 1 is a top perspective view of a camping trailer showing my new design.

FIG. 2 is a top plan view thereof.

FIG. 3 is a front elevational view thereof.

FIG. 4 is a left side elevational view thereof.

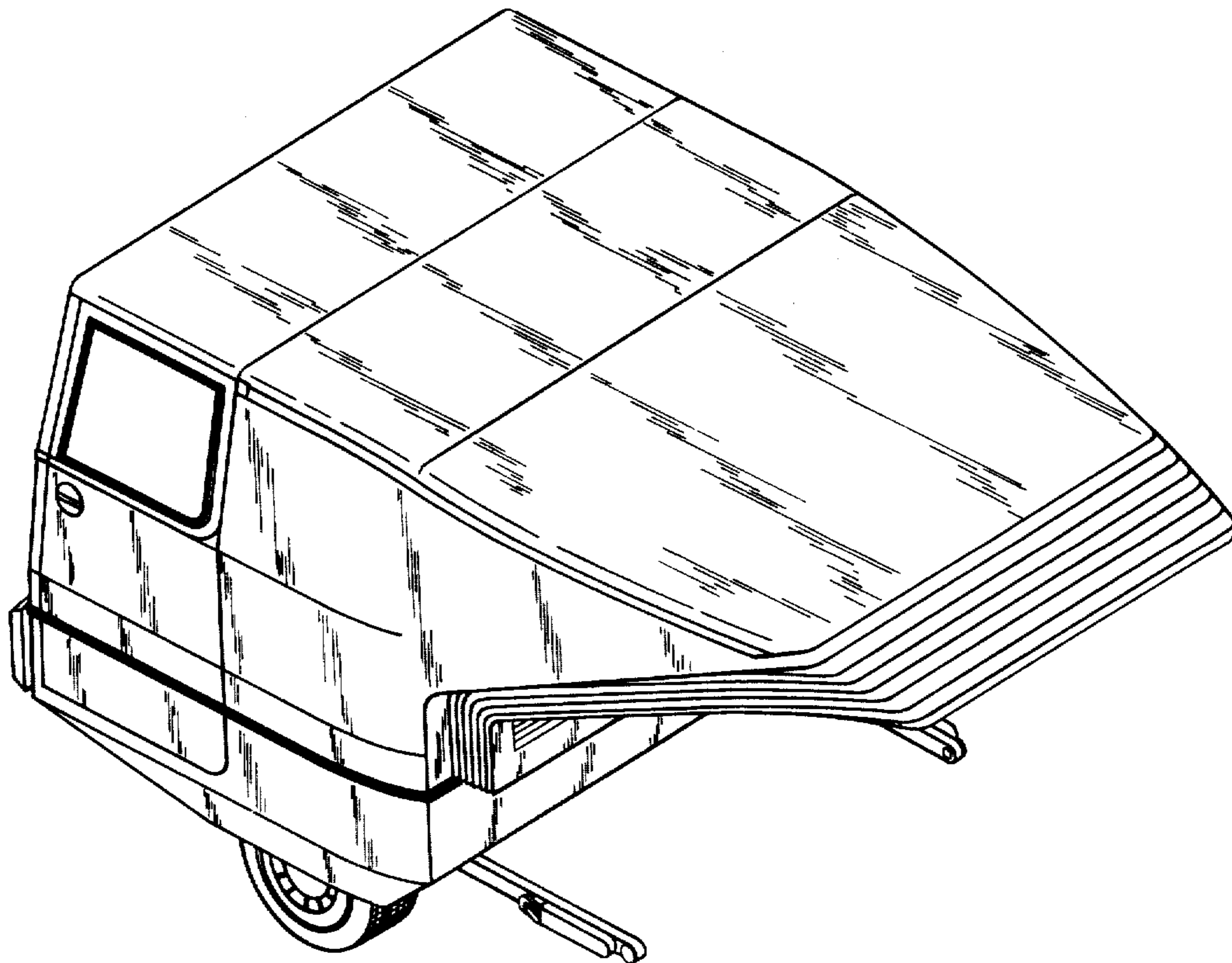
FIG. 5 is a right side elevational view thereof.

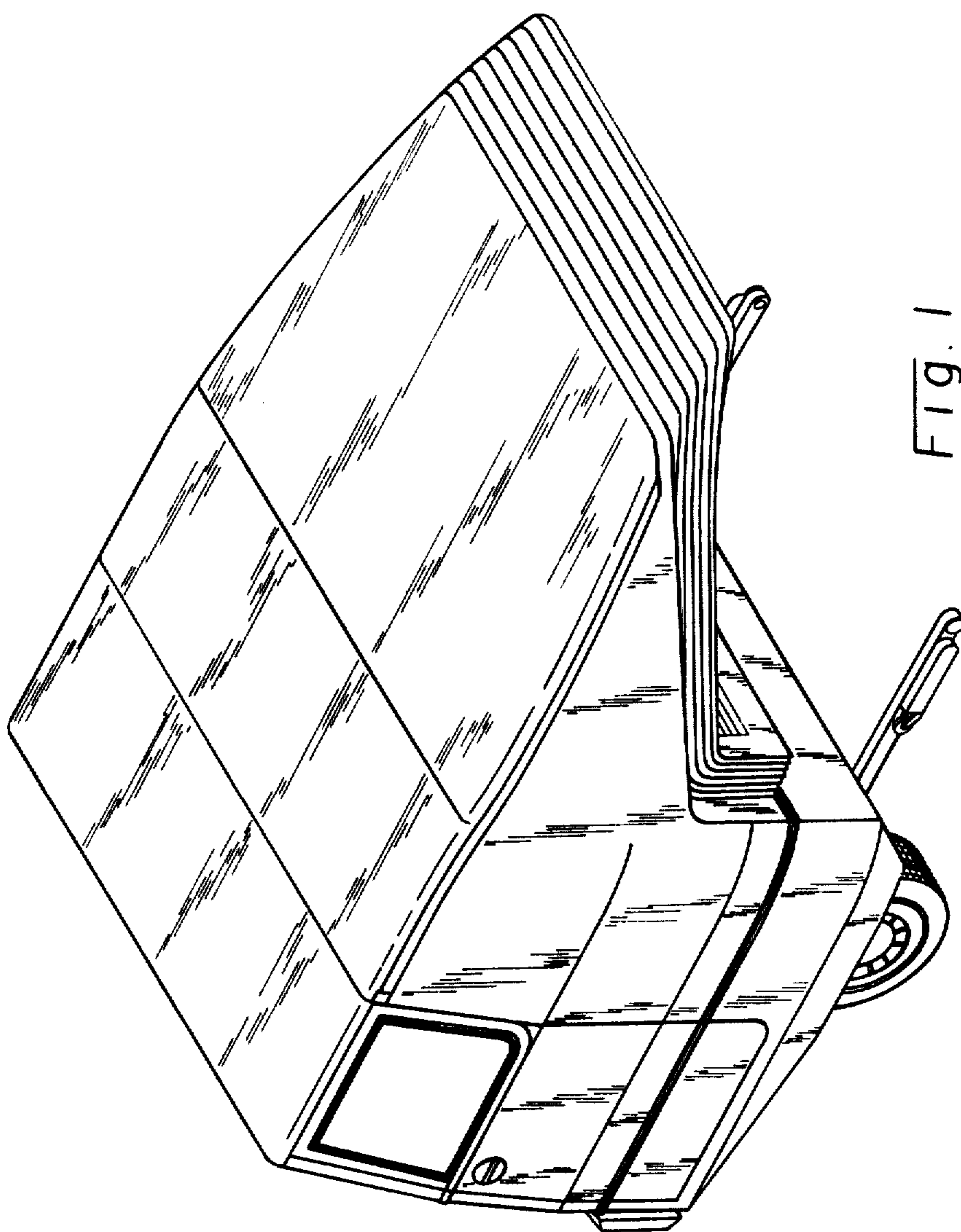
FIG. 6 is a rear elevational view thereof.

FIG. 7 is a rear elevational view thereof with the top portion in raised condition.

FIG. 8 is a right side elevational view of FIG. 7.

The broken lines in the drawing are for illustrative purposes only.





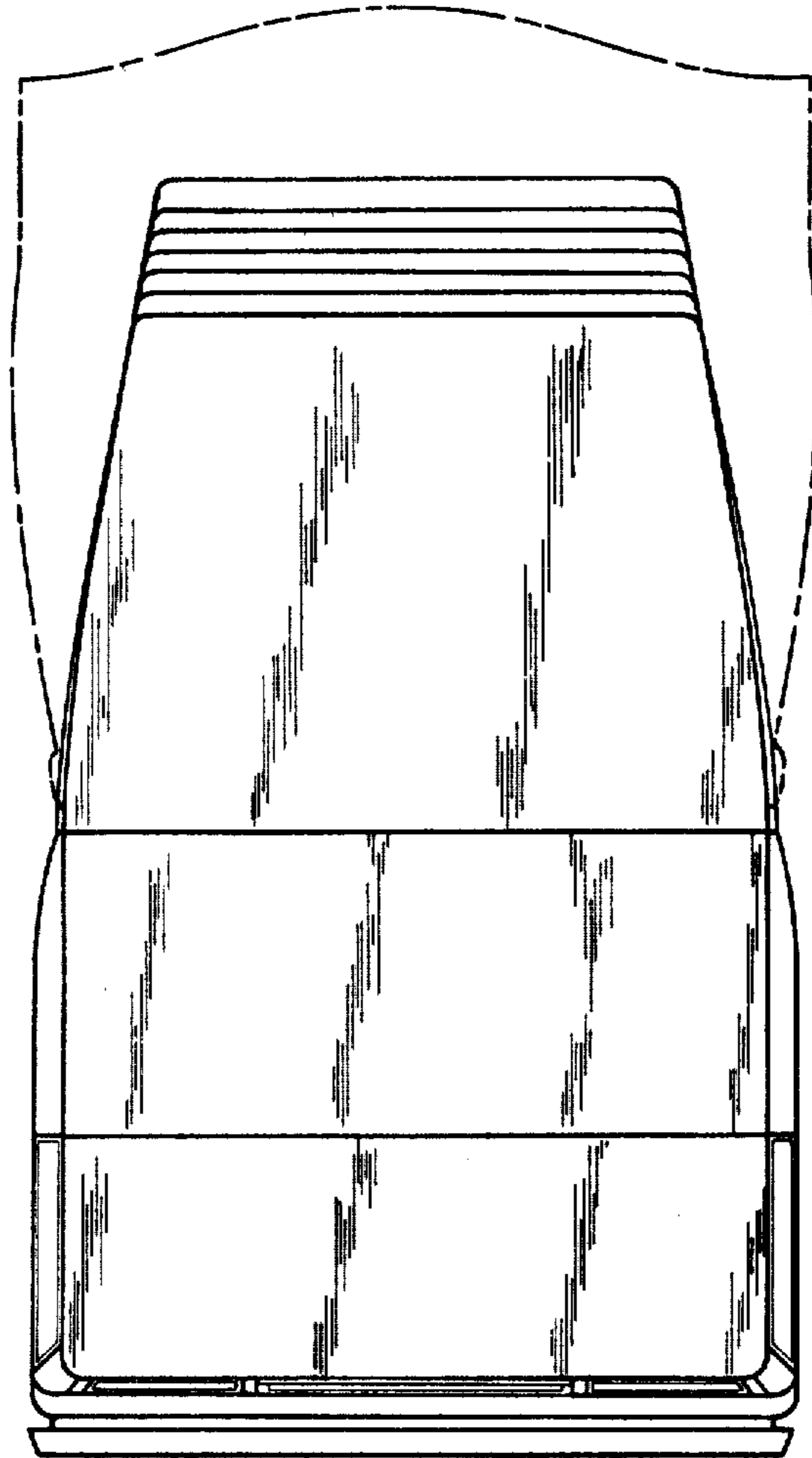


Fig. 2

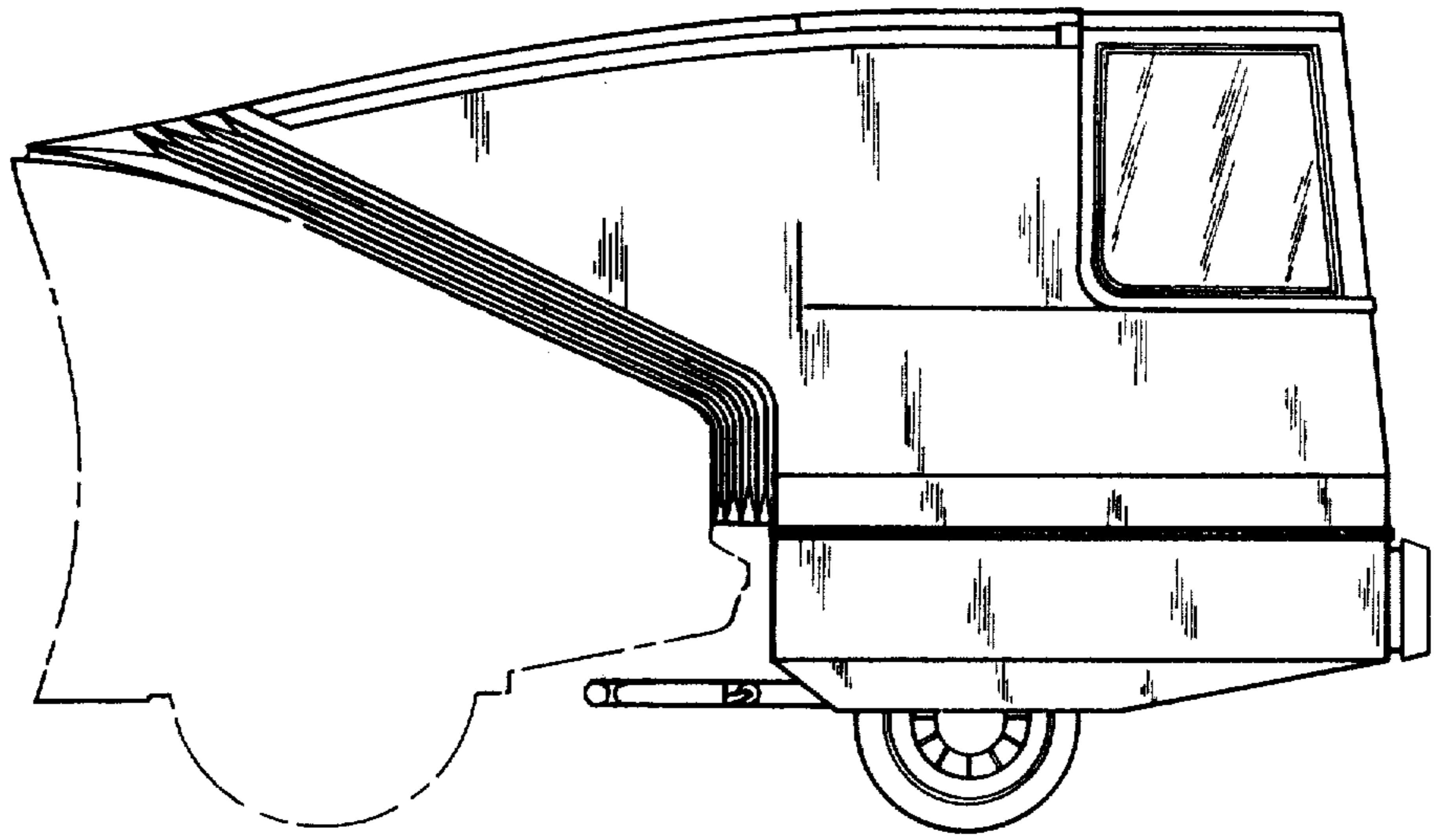


Fig. 4

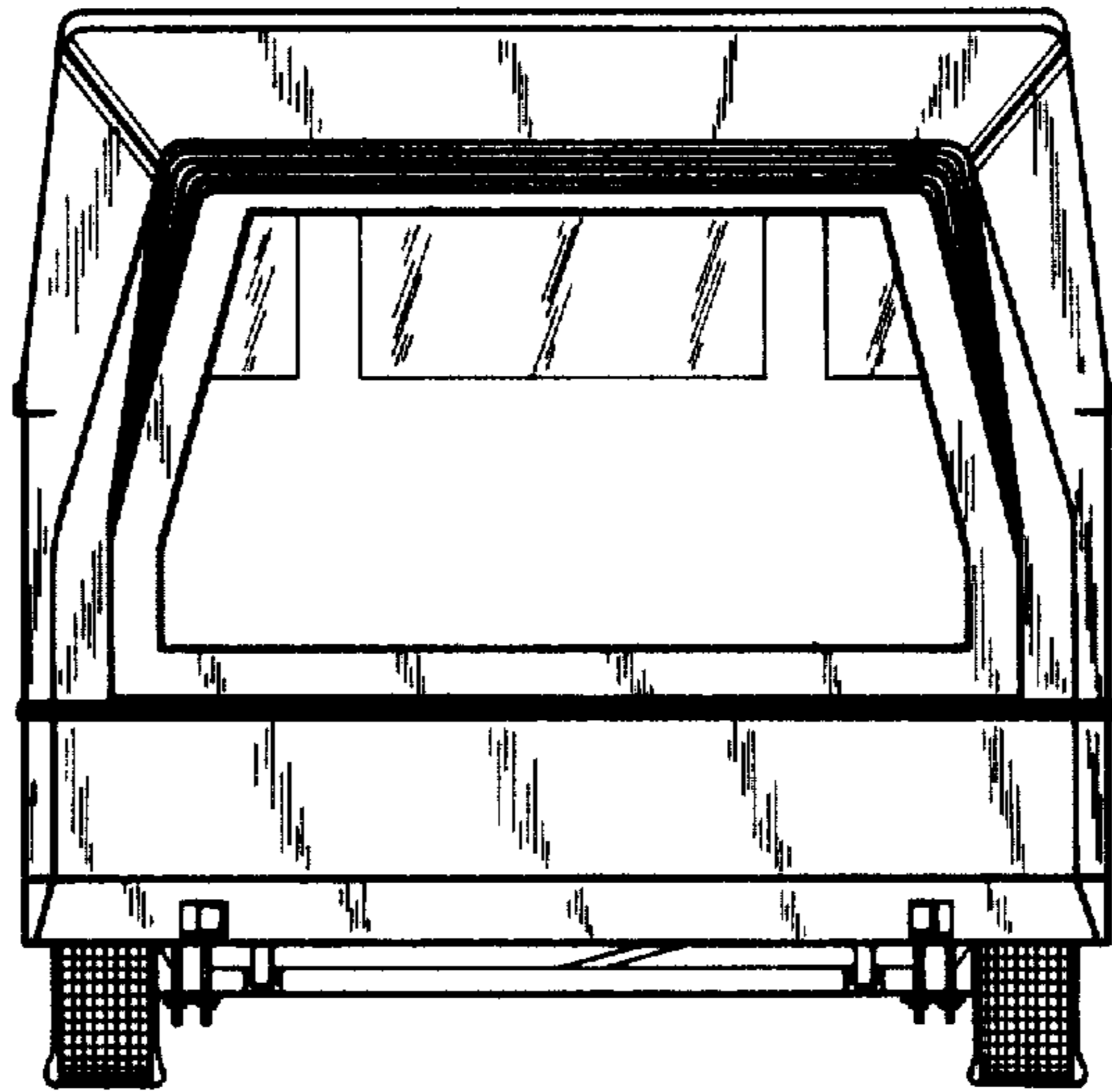


Fig. 3

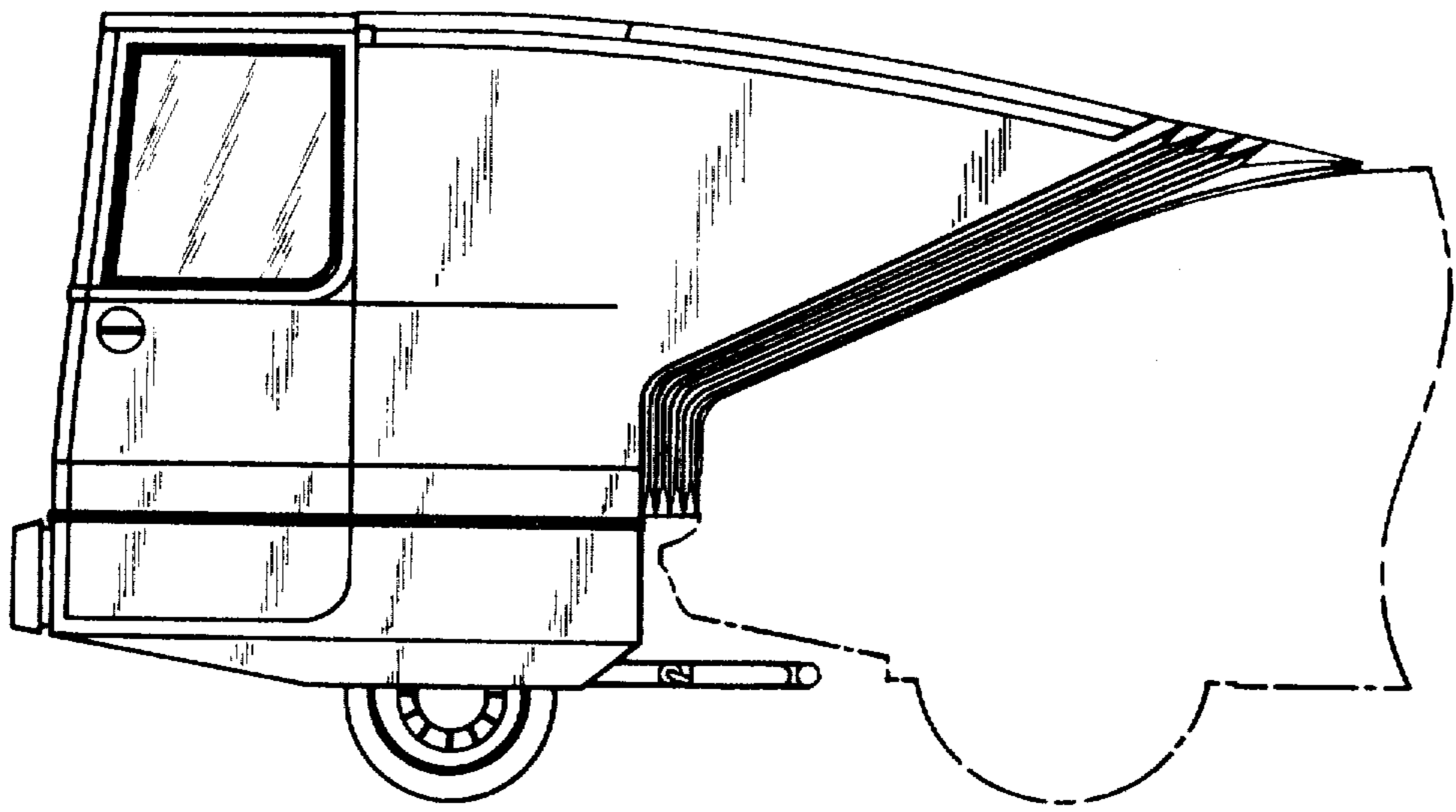


Fig. 5

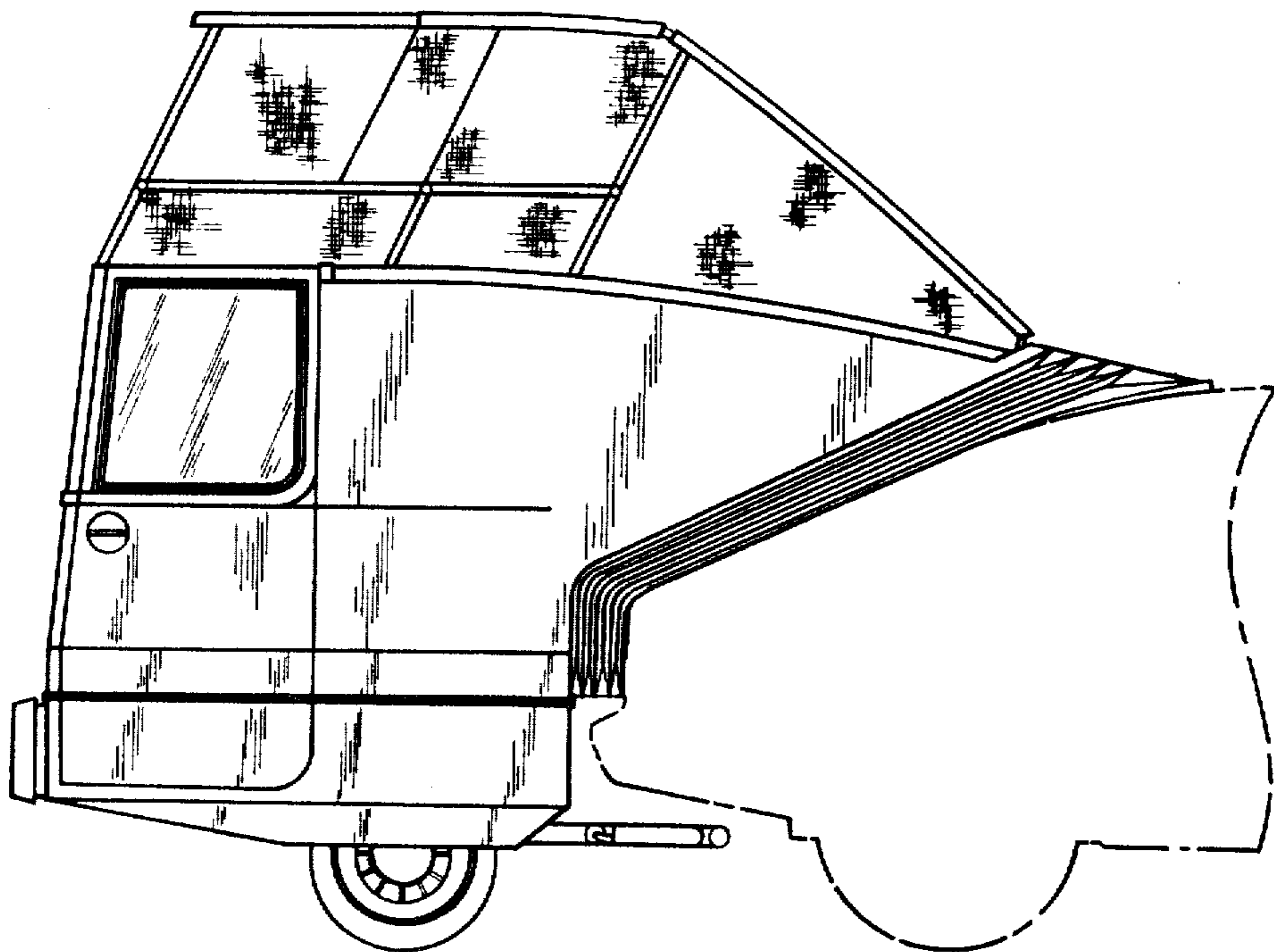


Fig. 8

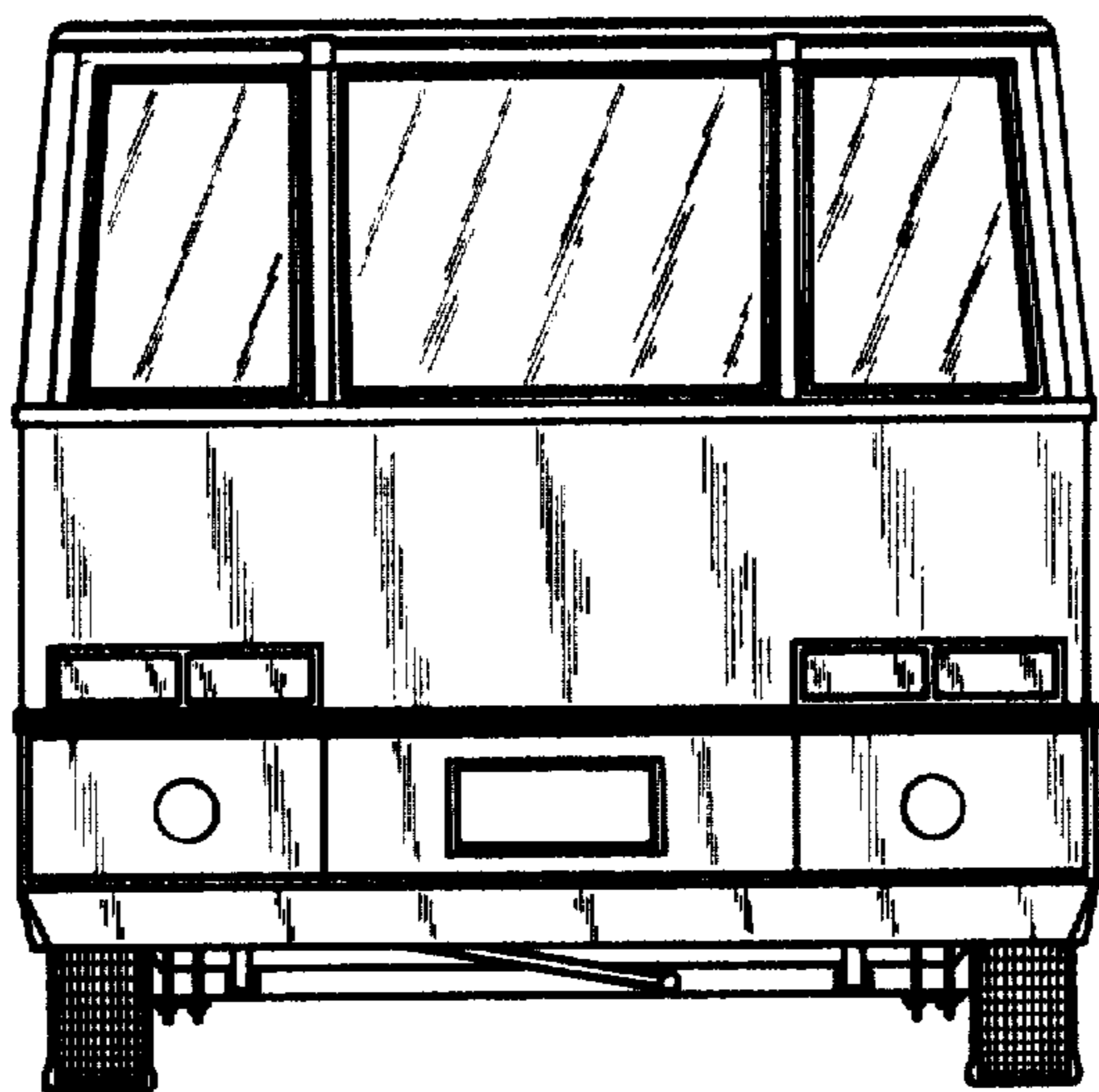


Fig. 6

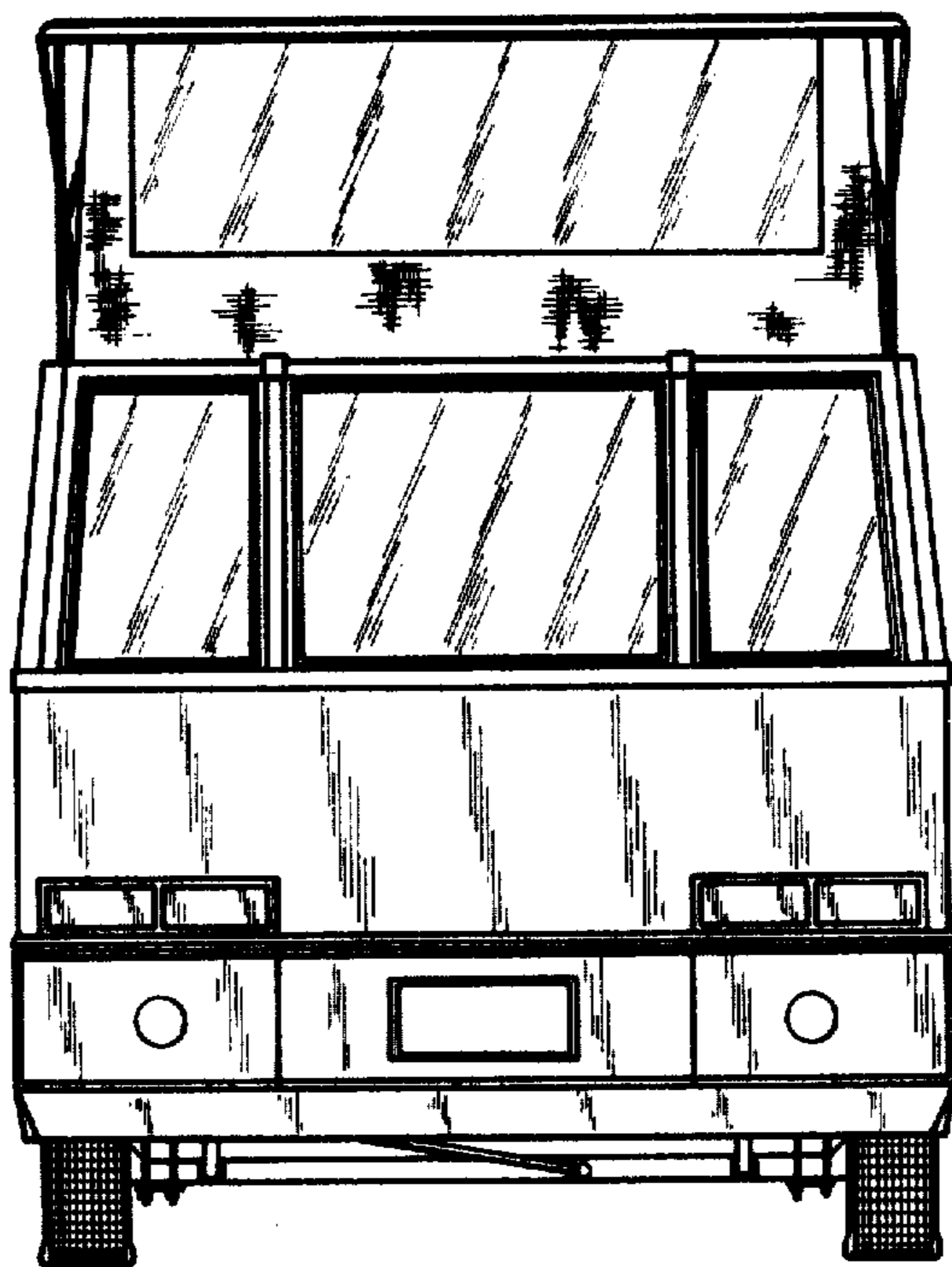


Fig. 7