

[54] WATCHCASE

[75] Inventor: **Jean G. Malamoud**, Saint-Jorioz, France

[73] Assignee: **S. T. Dupont**, Paris, France

[\*\*] Term: **14 Years**

[21] Appl. No.: **159,896**

[22] Filed: **Jun. 16, 1980**

[30] Foreign Application Priority Data

Mar. 31, 1980 [FR] France ..... 80 1023

[51] Int. Cl. .... **D10-02**

[52] U.S. Cl. .... **D10/38**

[58] Field of Search ..... D10/30-39, D10/122-126; 368/276, 281, 282

[56] References Cited

U.S. PATENT DOCUMENTS

D. 67,101	4/1925	Schwetlman	.....	D10/38
D. 101,076	9/1936	Wadsworth	.....	D10/39
D. 223,272	4/1972	Marquant	.....	D10/39
D. 246,575	12/1977	Onodera et al.	.....	D10/30
3,585,794	6/1971	Klingenberg	.....	D10/39 X

OTHER PUBLICATIONS

Jewelers' Circular-Keystone, Mar. 1979, p. 34, watch in center of illustration in bottom left corner.

Primary Examiner—Robert C. Spangler  
Attorney, Agent, or Firm—Robert A. Shack

[57] CLAIM

The ornamental design for a watchcase, substantially as shown and described.

DESCRIPTION

FIG. 1 is a top plan view of a watchcase showing my new design;

FIG. 2 is a left side view, the right side being substantially a mirror image thereof;

FIG. 3 is a bottom plan view thereof;

FIG. 4 is a sectional view along line 4-4 of FIG. 1;

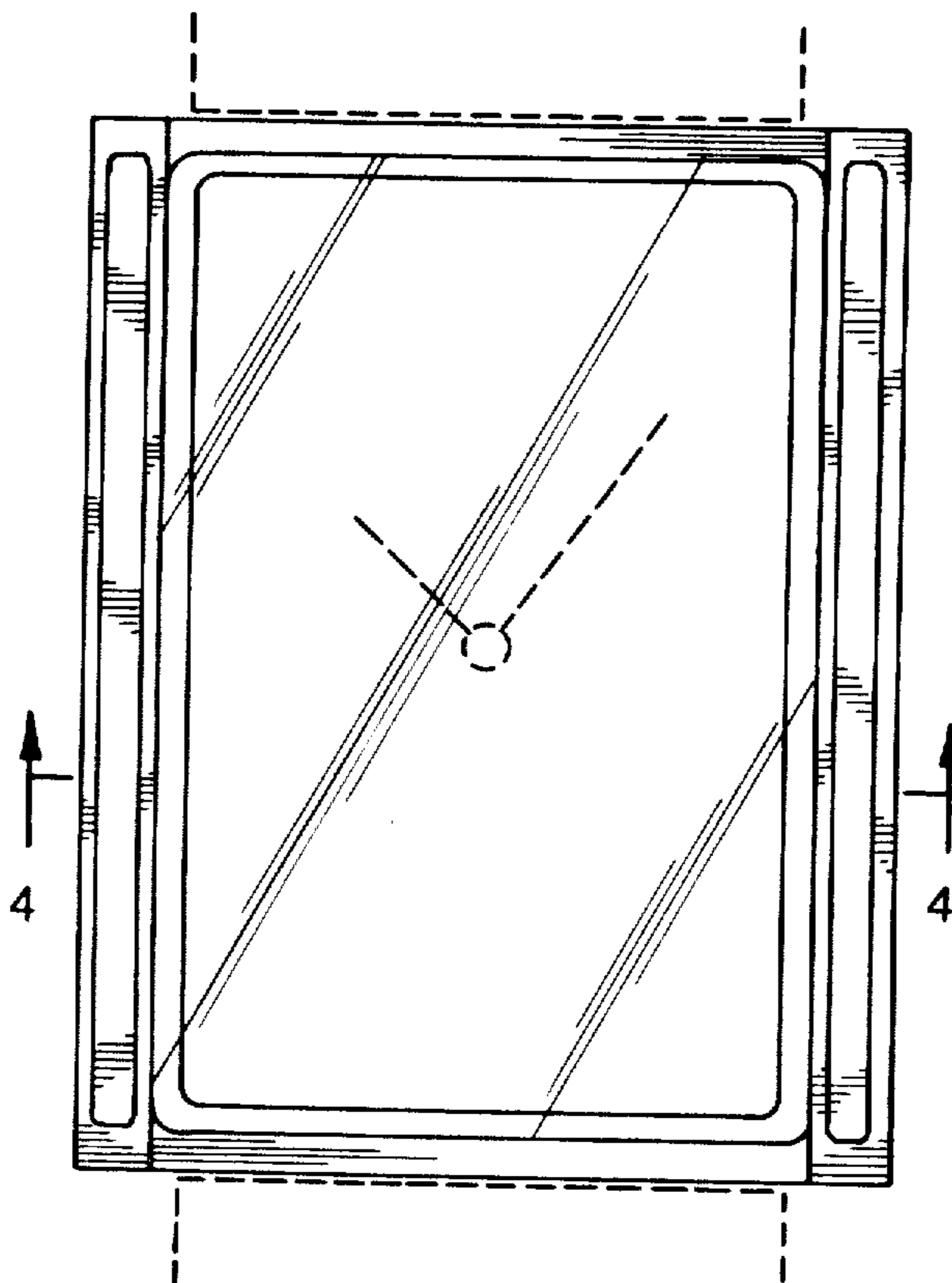
FIG. 5 is a top plan view of a watchcase illustrative of a further embodiment of the invention;

FIG. 6 is a left side view of the watchcase of FIG. 5, the right side being substantially a mirror image thereof;

FIG. 7 is a bottom plan view of the watchcase of FIG. 5; and

FIG. 8 is a sectional view along line 8-8 of FIG. 5.

The phantom representations of the watchband and the hands on the watch face are made in the drawings merely for the purpose of illustrating the environment in which the watchcase of this invention is used.



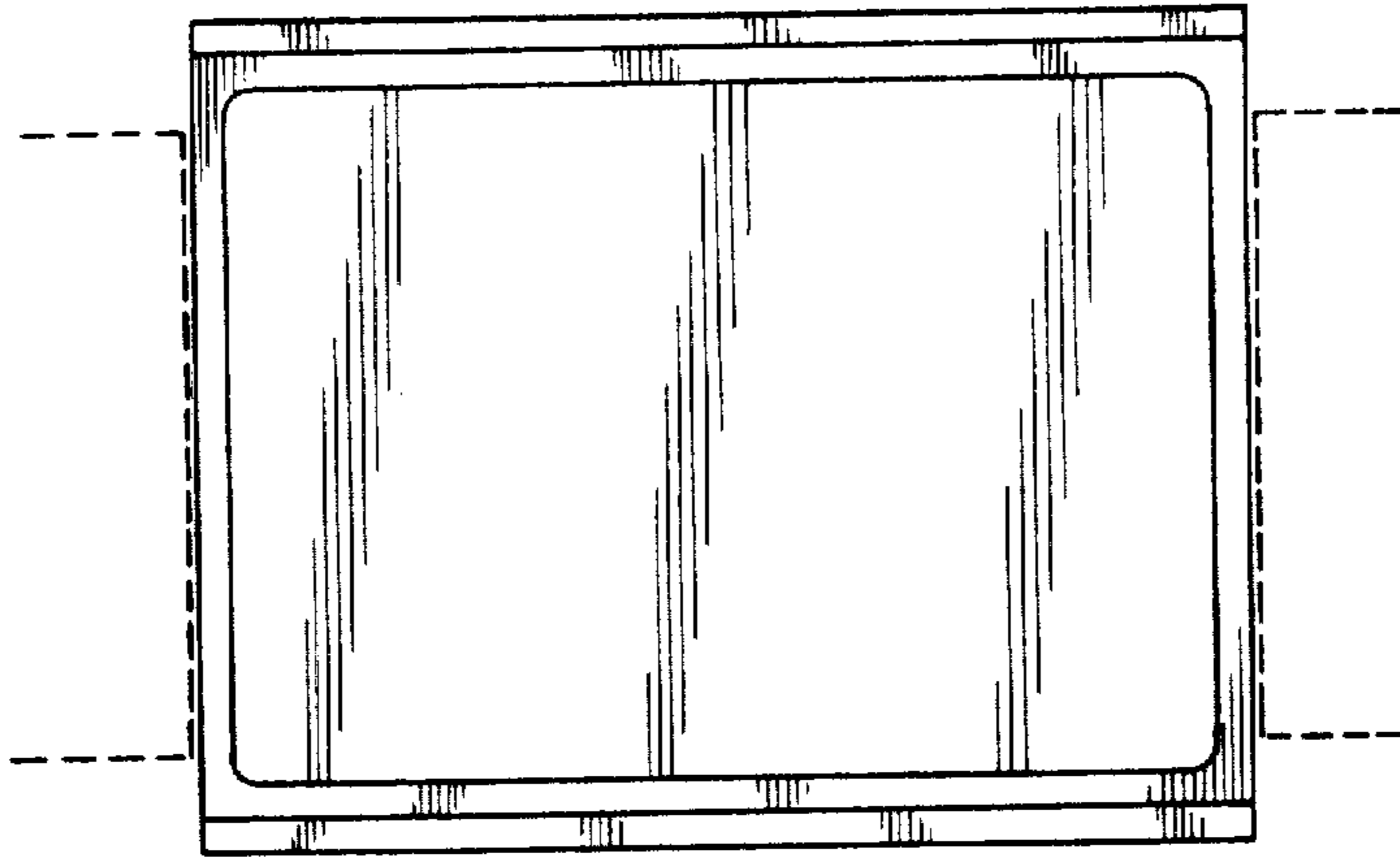


FIG. 3

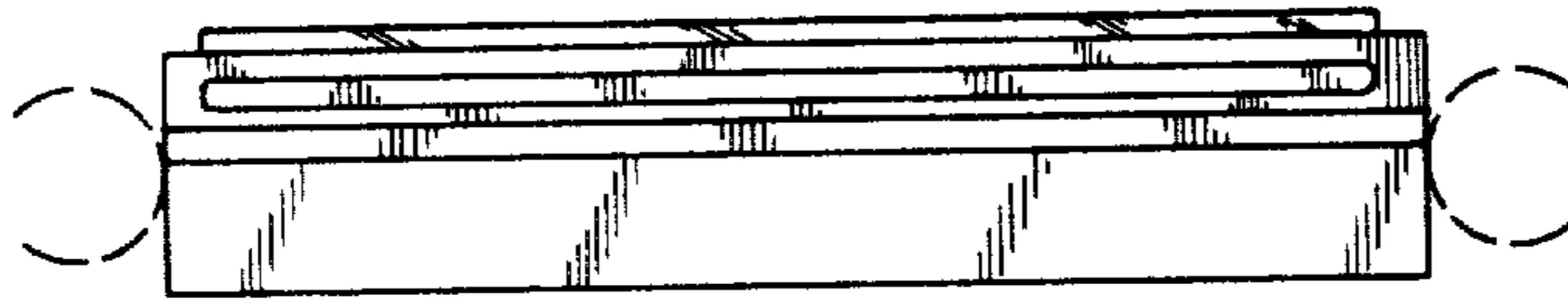


FIG. 2

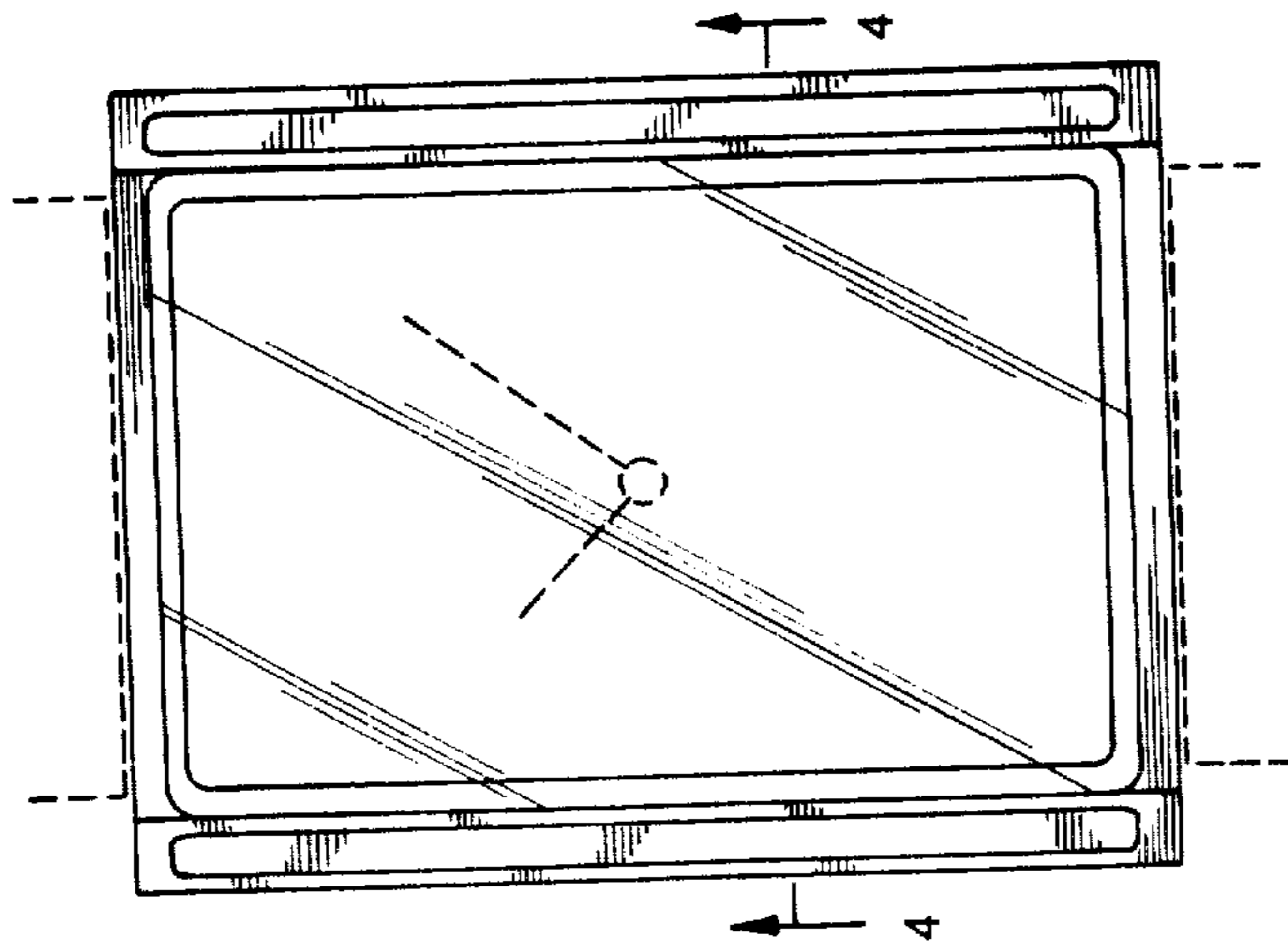


FIG. 1

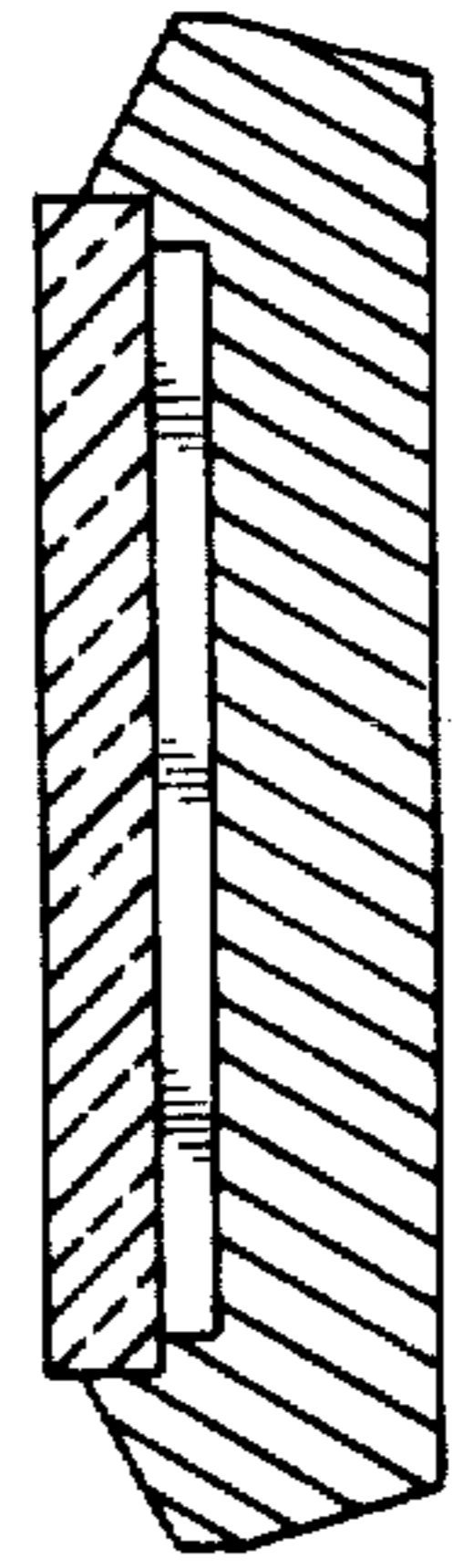


FIG. 4

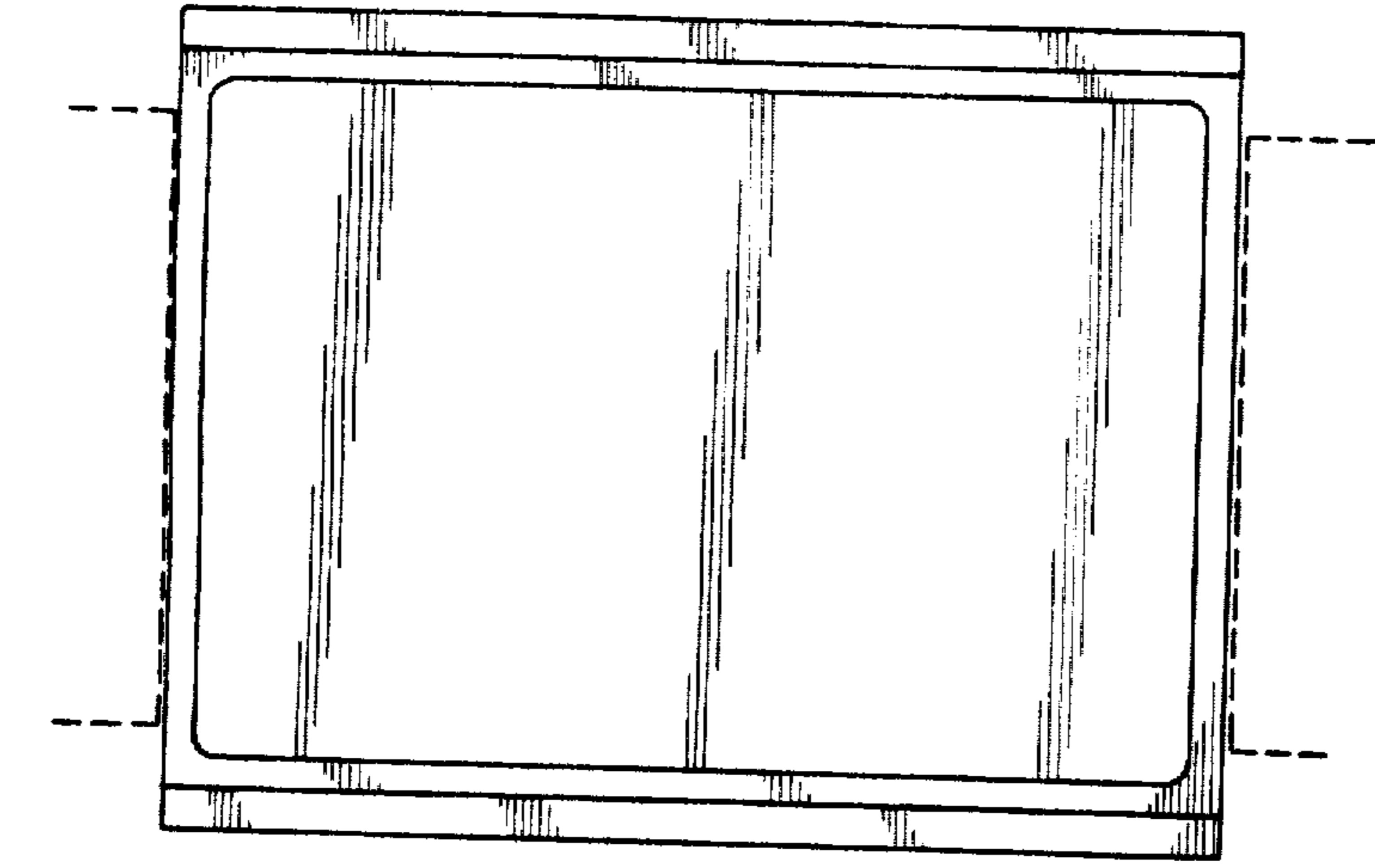


FIG. 5

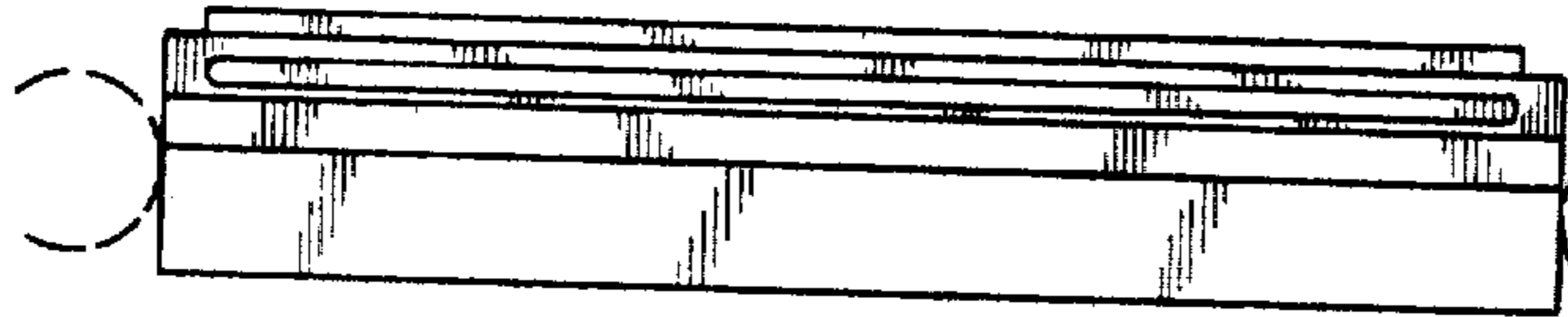


FIG. 6

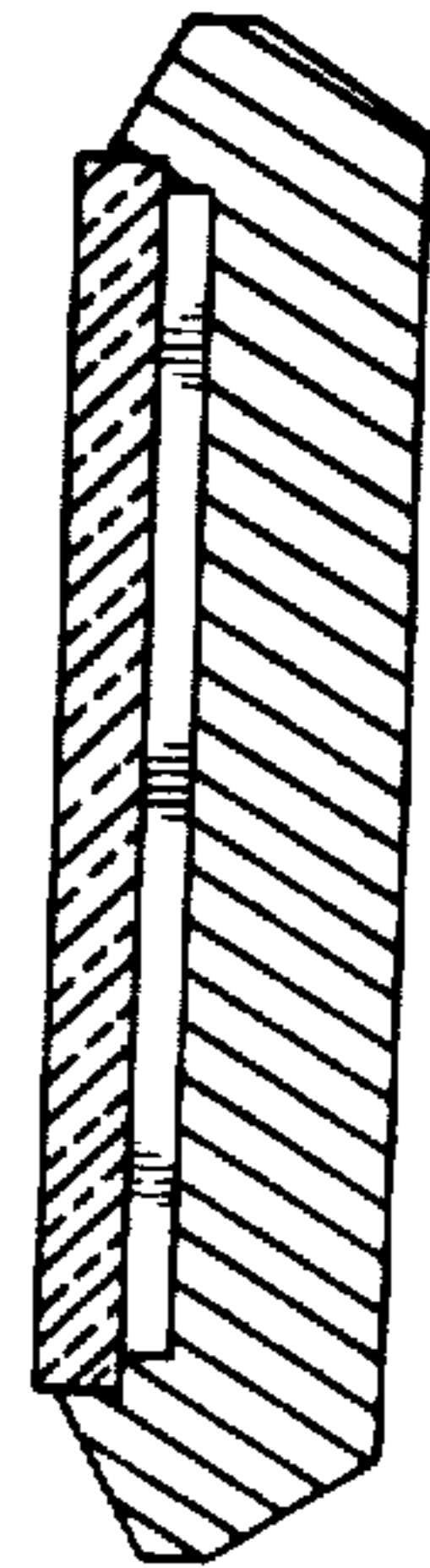


FIG. 7

FIG. 8

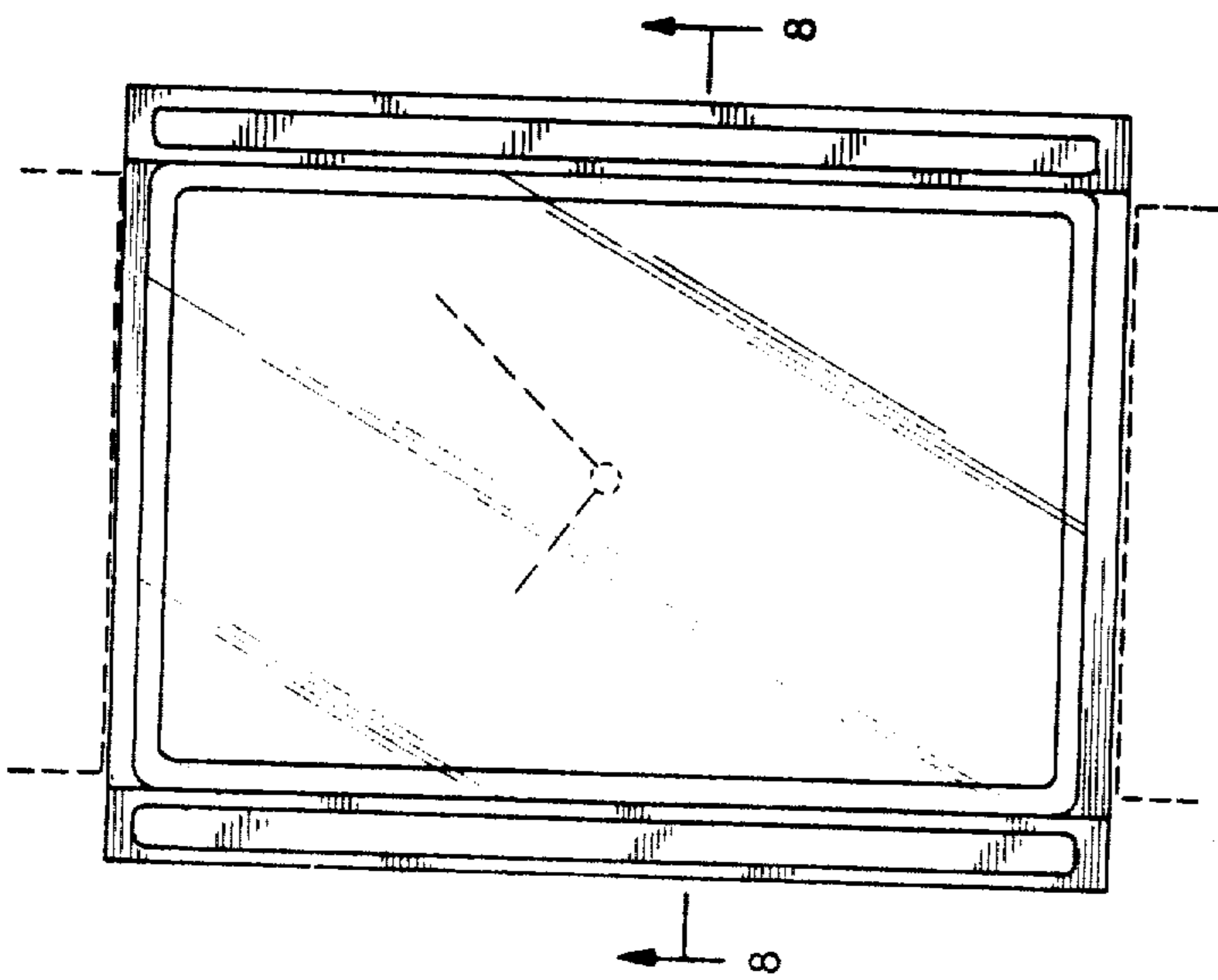


FIG. 8