

[54] TRANSPARENT BOX

[76] Inventor: George C. Sun, 530 Rhode Island Ave., Cherry Hill, N.J. 08002

[**] Term: 14 Years

[21] Appl. No.: 280,875

[22] Filed: Jul. 6, 1981

[51] Int. Cl. D9-03

[52] U.S. Cl. D9/424; D7/431;
D7/16

[58] Field of Search D9/400, 403, 414, 420,
D9/423, 424, 430, 431, 389; D7/16, 17, 23-25,
29

[56] References Cited

U.S. PATENT DOCUMENTS

D. 78,784 6/1929 Piperoux D9/430
D. 82,536 11/1930 Eberhardt D9/430
D. 204,962 5/1966 Kossnar D9/429
2,121,165 6/1938 Stobodkin D7/29

OTHER PUBLICATIONS

Jewelers' Circular Keystone, 1979 Directory, p. 10, items, 34, 28, 320 and 310 at bottom of page.

Primary Examiner—Robert C. Spangler
Attorney, Agent, or Firm—Weiser & Stapler

[57] CLAIM

The ornamental design for a transparent box, substantially as shown and described.

DESCRIPTION

FIG. 1 is a front perspective view of a transparent box showing my new design,

FIG. 2 is a top plan view thereof,

FIG. 3 is a side elevational view thereof which if rotated 180° results in an identical view,

FIG. 4 is a side elevational view thereof taken after rotating the container 90° from its position in FIG. 3, which if rotated an additional 180° results in an identical view,

FIG. 5 is a bottom plan view thereof.

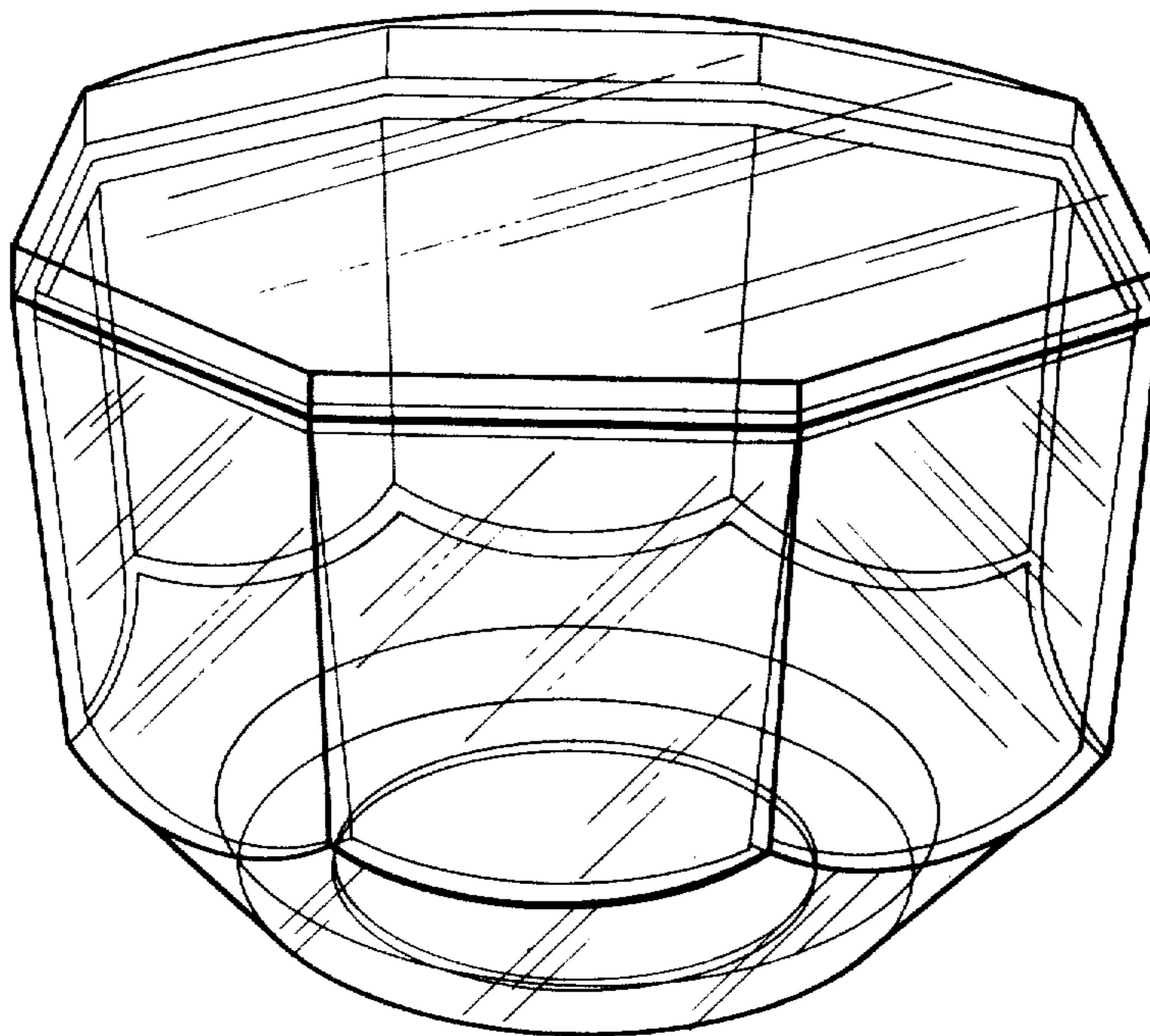


FIG. 1

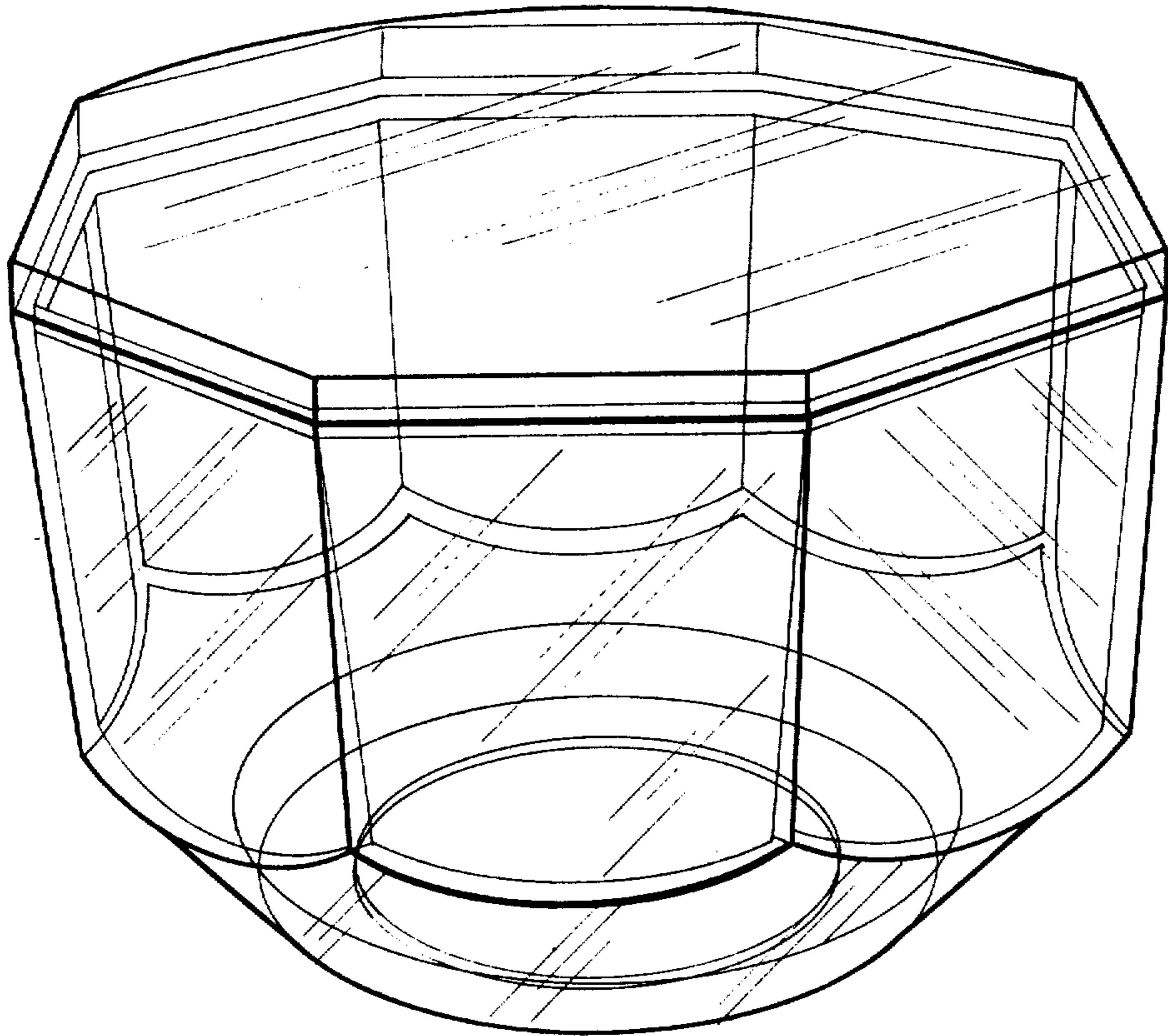


FIG. 2

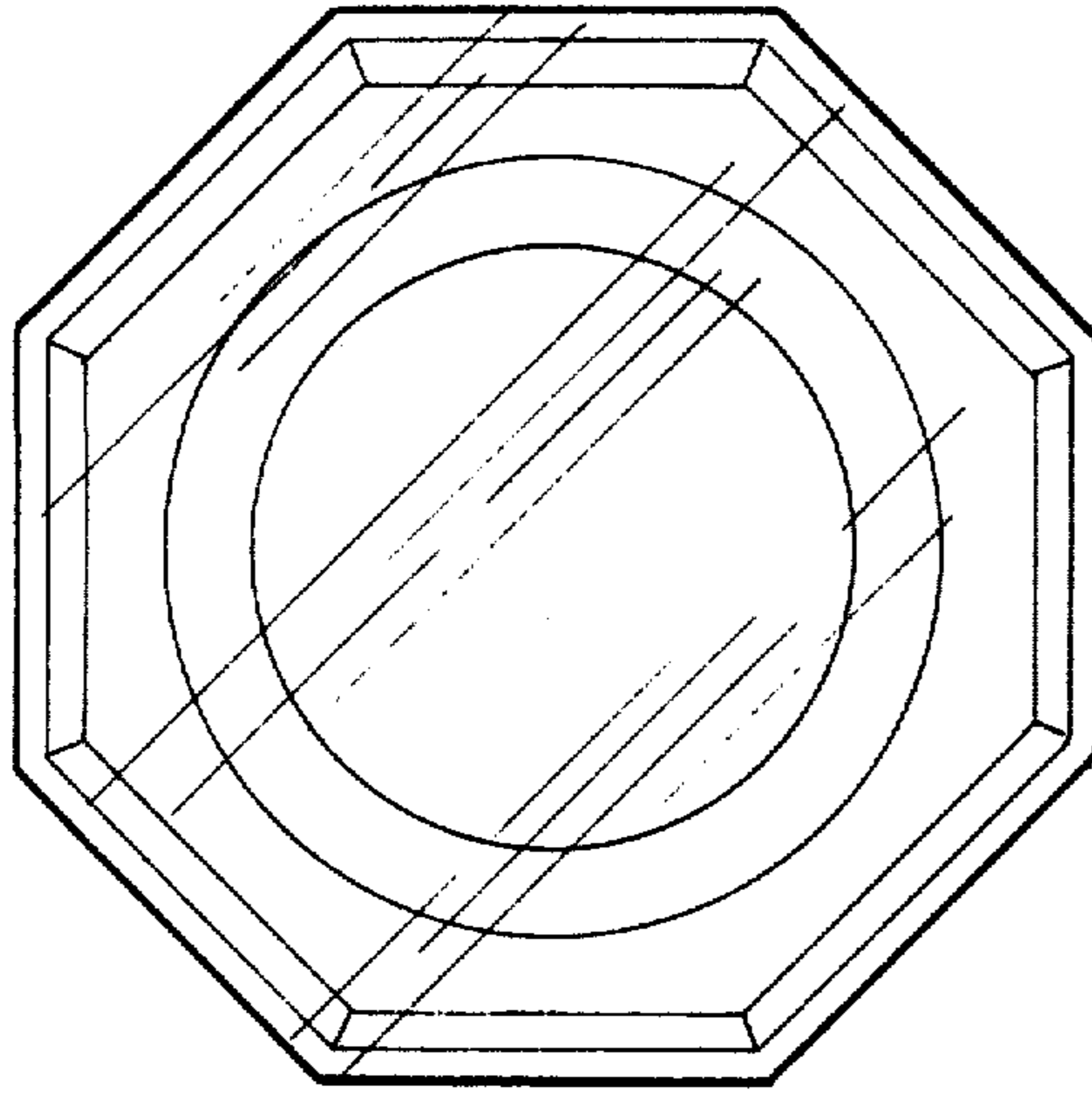


FIG. 3

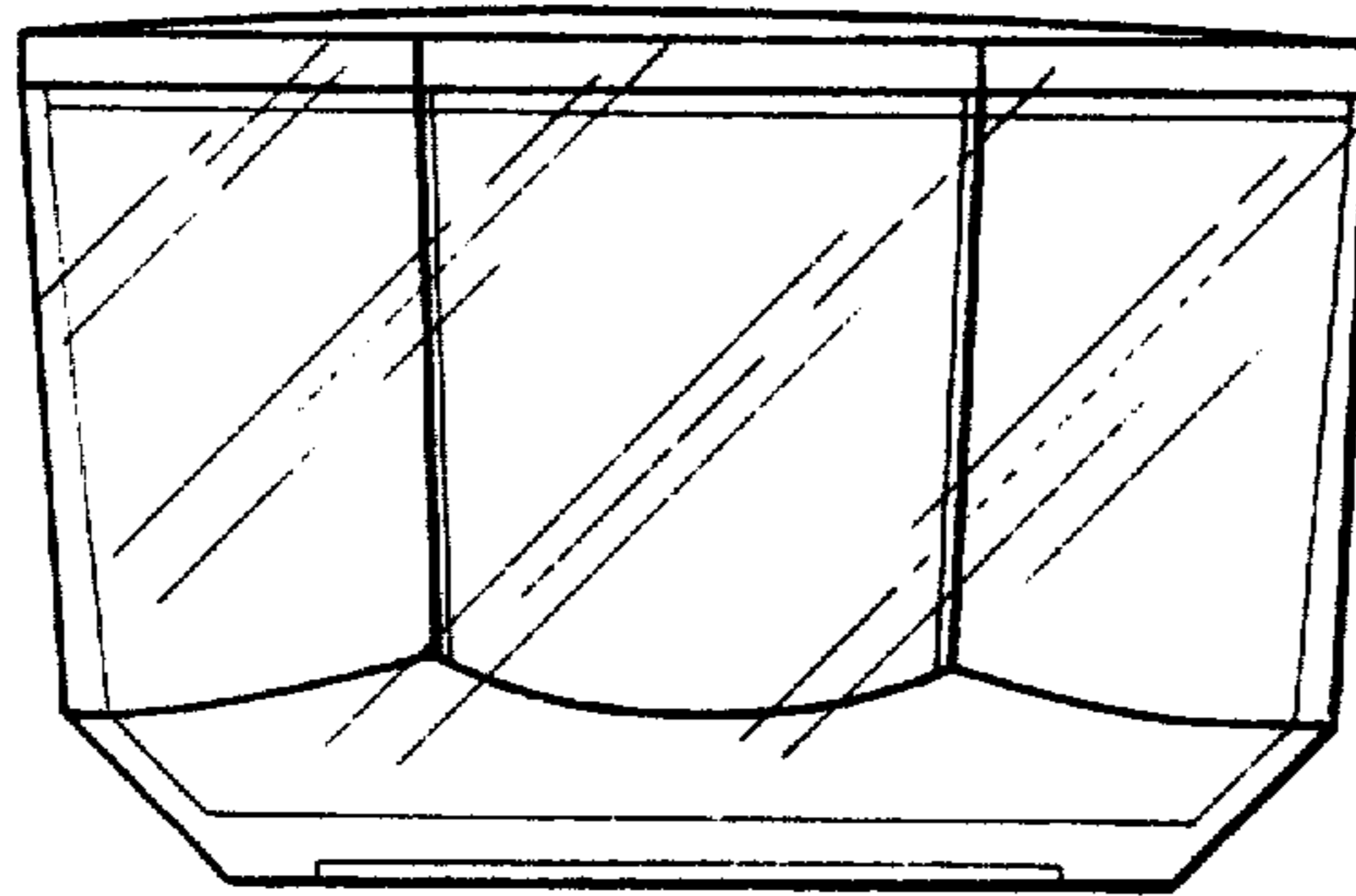


FIG. 4

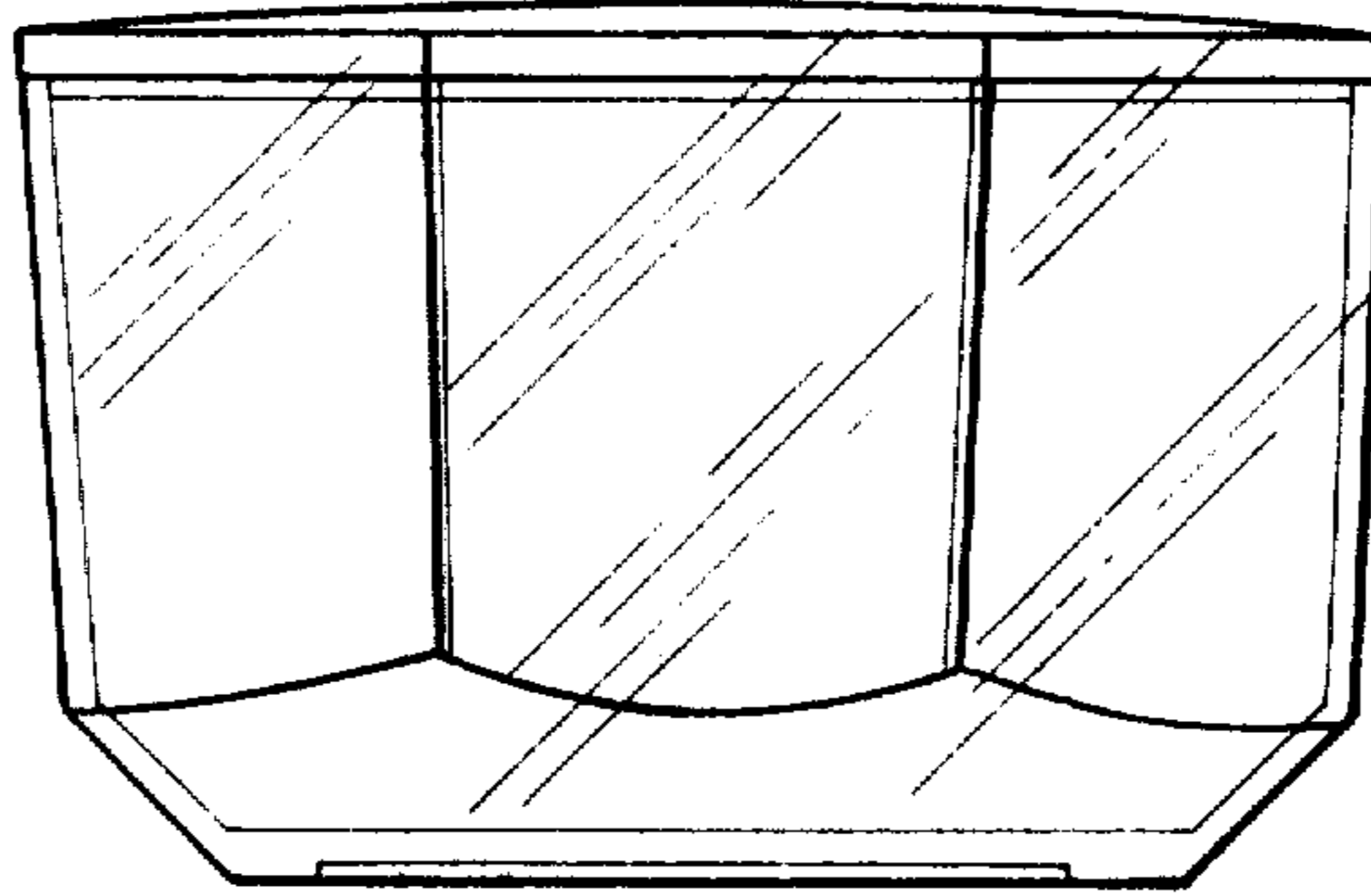


FIG. 5

