

- [54] **COUPLER FOR STRUCTURAL TUBES OR THE LIKE**
- [76] Inventor: **Terrance A. Baroody**, 2127 Foxwood Dr., Orange Park, Fla. 32073
- [**] Term: **14 Years**
- [21] Appl. No.: **275,133**
- [22] Filed: **Jun. 18, 1981**
- [51] Int. Cl. **D8-08**
- [52] U.S. Cl. **D8/382; D8/396; D6/191**
- [58] Field of Search **D8/354, 382, 396; D6/191; D23/40-47; 403/233, 234, 237, 260**

2,018,256	10/1935	Cohan	403/237
2,065,902	12/1936	Levin	403/237
2,834,621	5/1958	Schroer	403/391 X
2,836,449	5/1958	Varlonga	403/391
3,079,186	2/1963	Williams	403/274
3,386,590	6/1968	Gretz	403/391 X
3,787,131	1/1974	Reachek	403/234

Primary Examiner—James R. Largen
Attorney, Agent, or Firm—Arthur G. Yeager

[57] **CLAIM**

The ornamental design for a coupler for structural tubes or the like, substantially as shown.

DESCRIPTION

FIG. 1 is a side elevational view of a coupler for structural tubes or the like showing my new design; FIG. 2 is a left end elevational view thereof; FIG. 3 is a right end elevational view thereof; and FIG. 4 is a cross sectional view taken along line 4-4 of FIG. 1.

- [56] **References Cited**
- U.S. PATENT DOCUMENTS**
- D. 186,405 10/1959 Hollaender D8/382
- D. 239,889 5/1976 O'Halloran D6/191
- D. 241,491 9/1976 O'Halloran D6/191

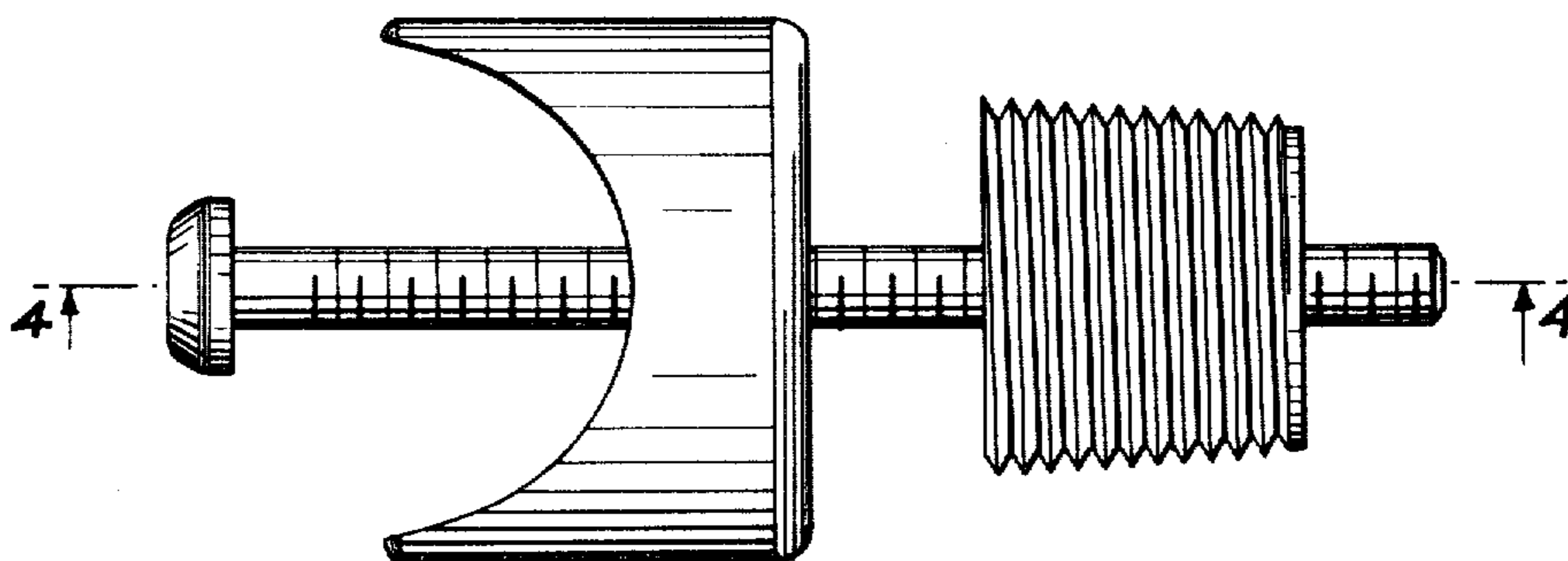


FIG. 1

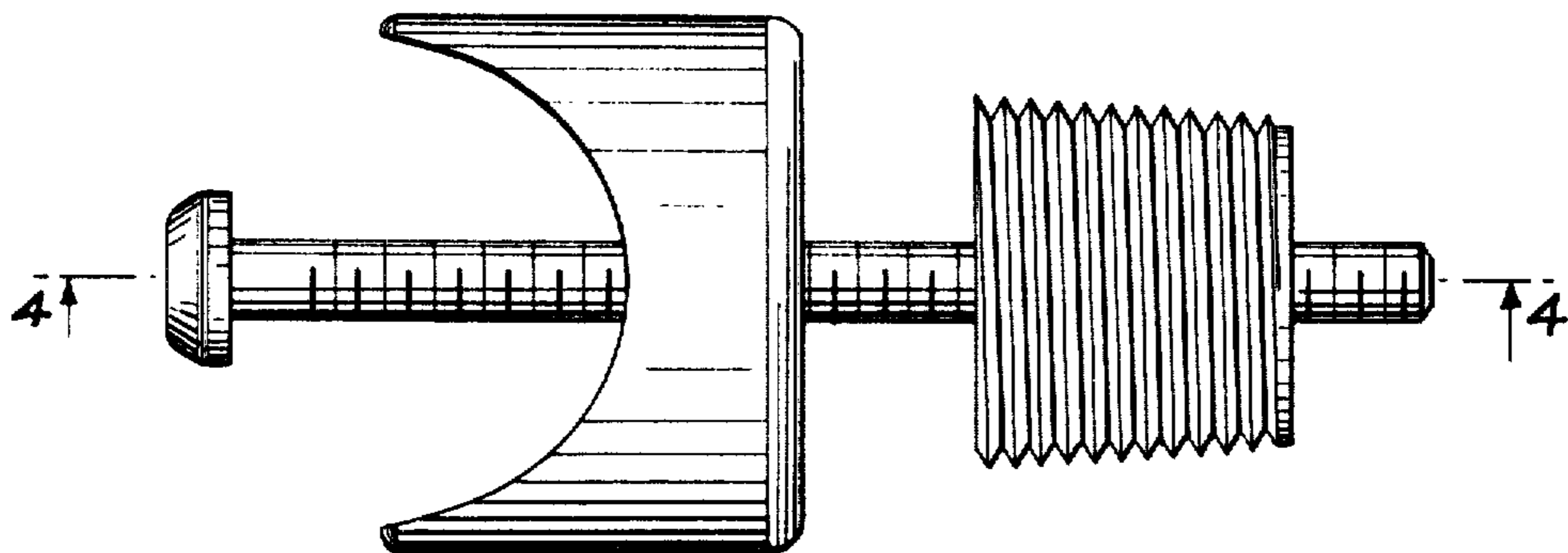


FIG. 2

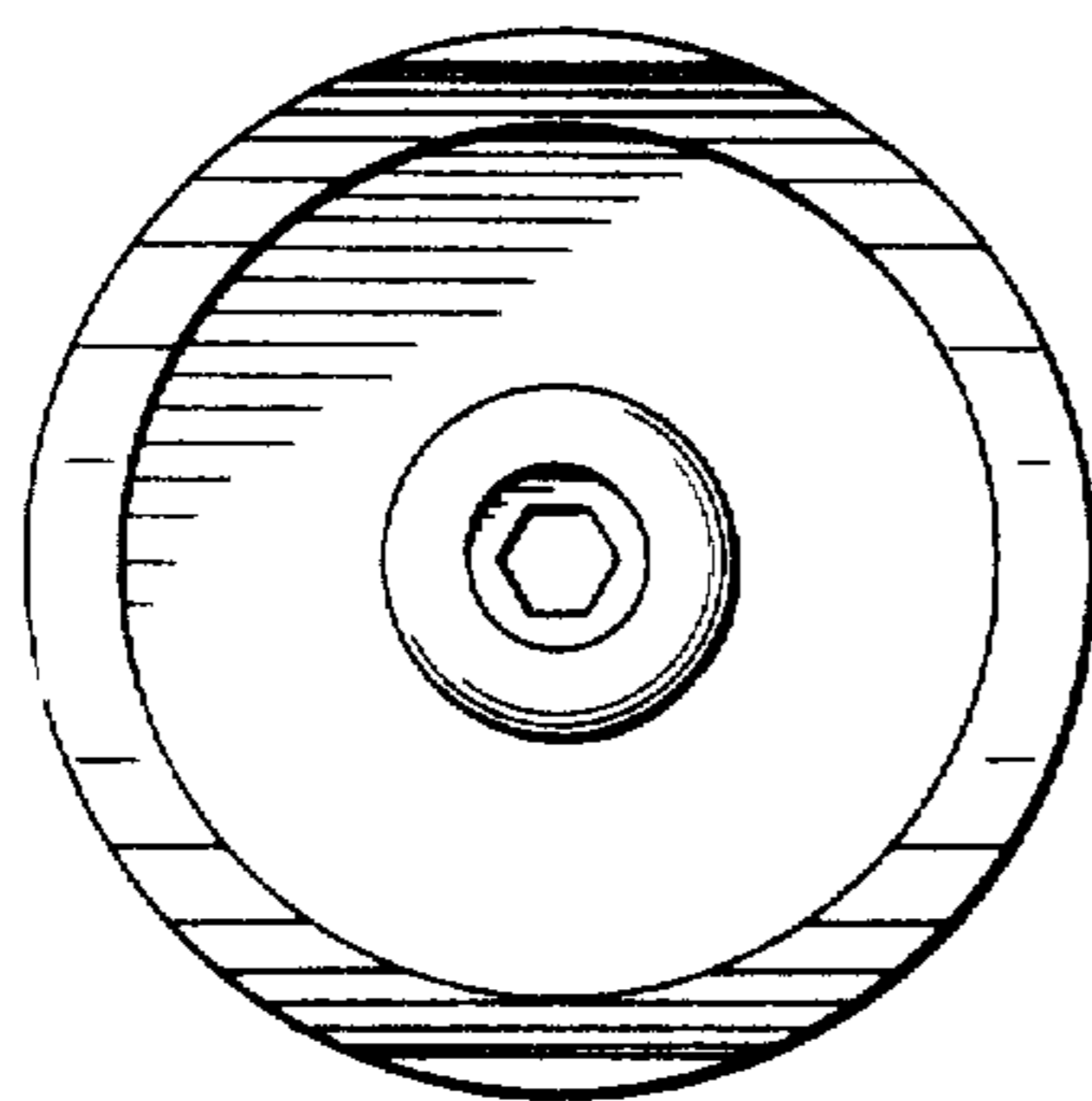


FIG. 3

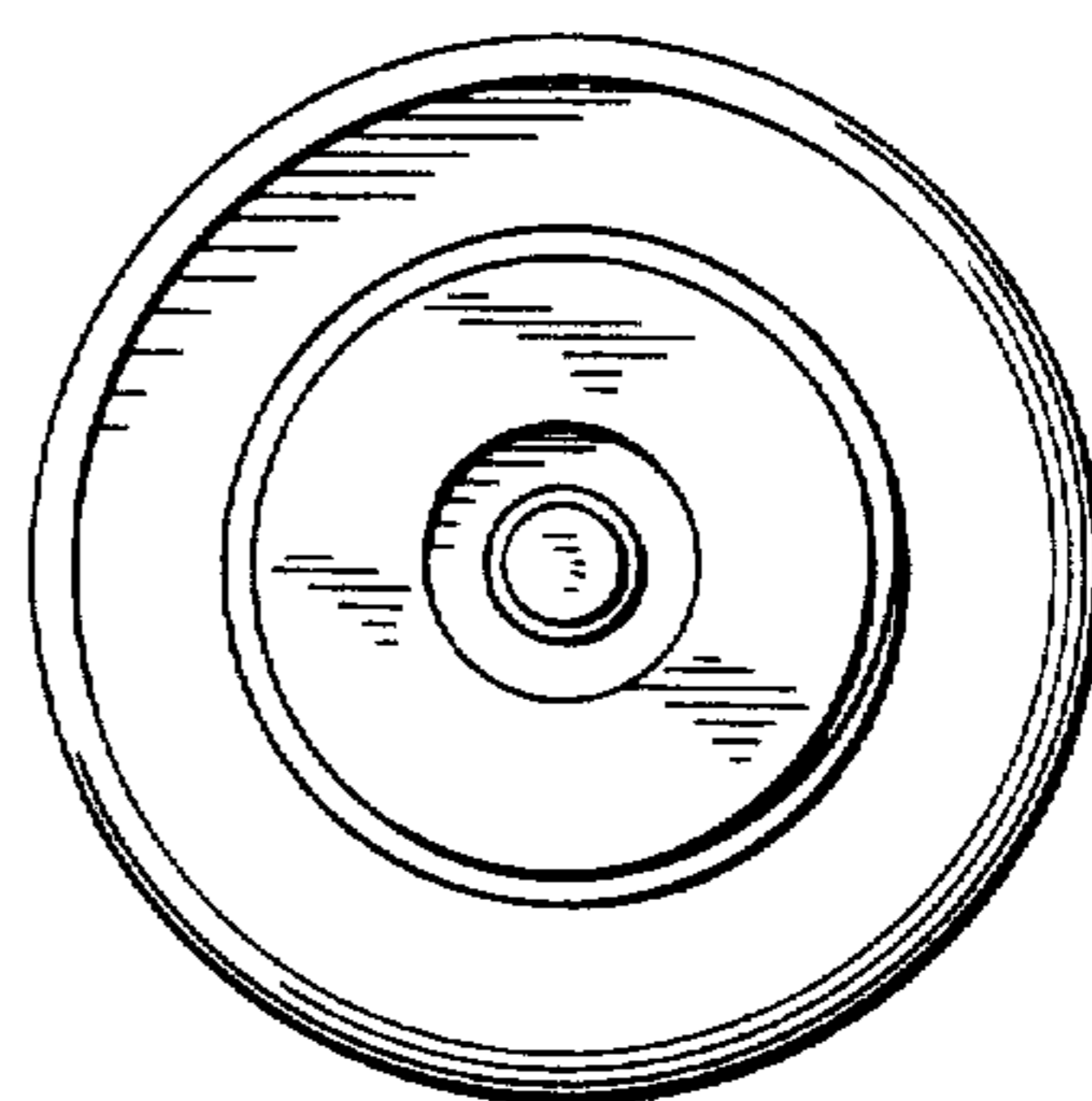


FIG. 4

