

[54] MAGNETIC TAPE REEL STORAGE RACK

[75] Inventors: Helmut H. Henneberg, Canton; John F. Graham, Sudbury, both of Mass.

[73] Assignee: Honeywell Information Systems Inc., Waltham, Mass.

[**] Term: 14 Years

[21] Appl. No.: 244,502

[22] Filed: Mar. 16, 1981

[51] Int. Cl. D6-04

[52] U.S. Cl. D6/188; D6/85; D6/157

[58] Field of Search D6/181, 85, 188

[56]

References Cited

U.S. PATENT DOCUMENTS

- D. 189,408 12/1960 Carpenter D6/181
- D. 237,665 11/1975 Schultz D6/85
- D. 252,299 7/1979 Marshall D6/188 X

Primary Examiner—Bruce W. Dunkins
Attorney, Agent, or Firm—William A. Linnell; Nicholas Prasinis

[57]

CLAIM

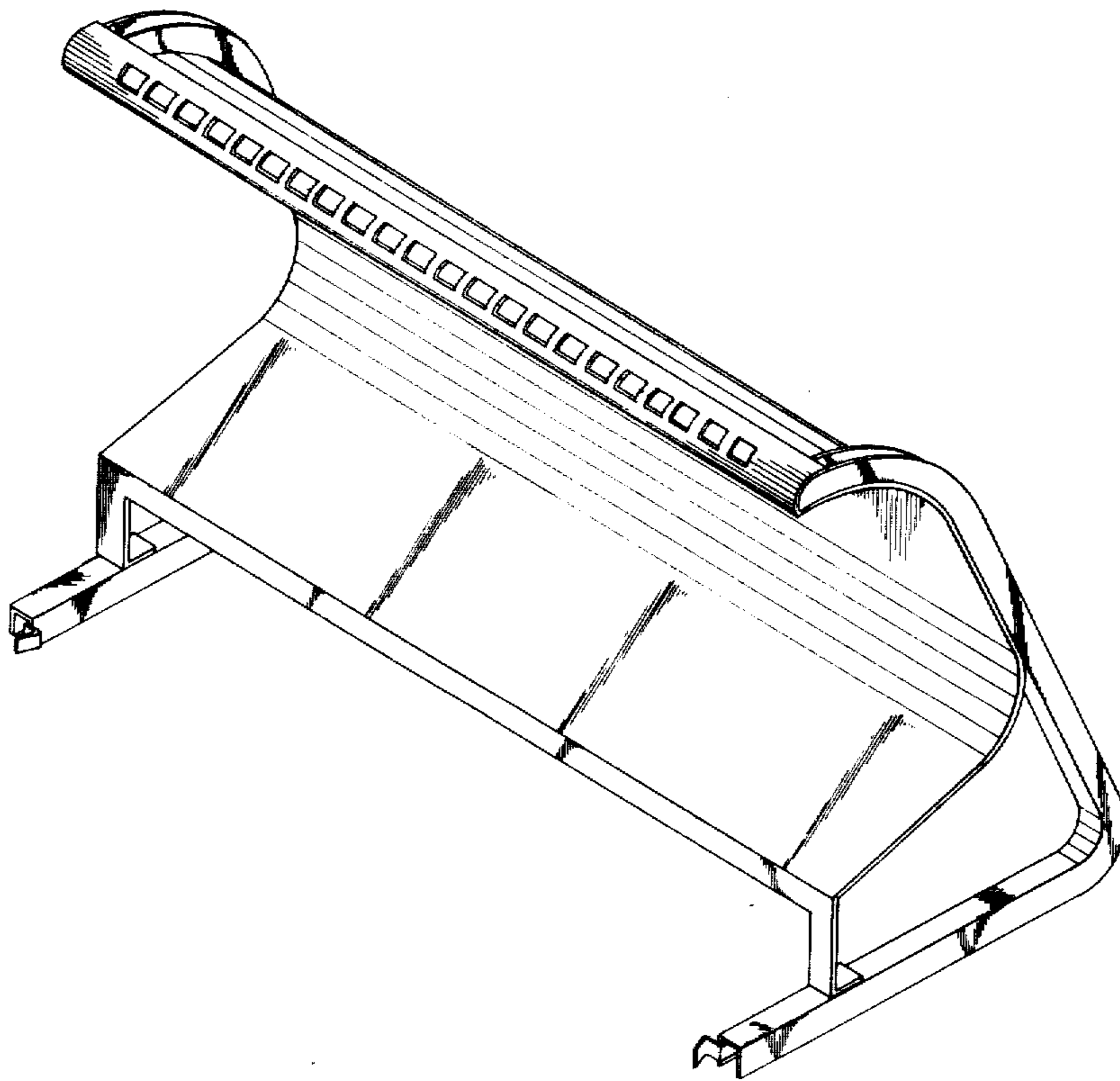
The ornamental design for a magnetic tape reel storage rack, substantially as shown and described.

DESCRIPTION

FIG. 1 is a front perspective view of a magnetic tape reel storage rack showing our design; FIG. 2 is a front elevational view; and FIG. 3 is a side elevational view thereof.

The undisclosed rear surface of the rack is conventional in appearance.

The dotted line showing of a tape reel in FIG. 3 is for illustrative purposes only.



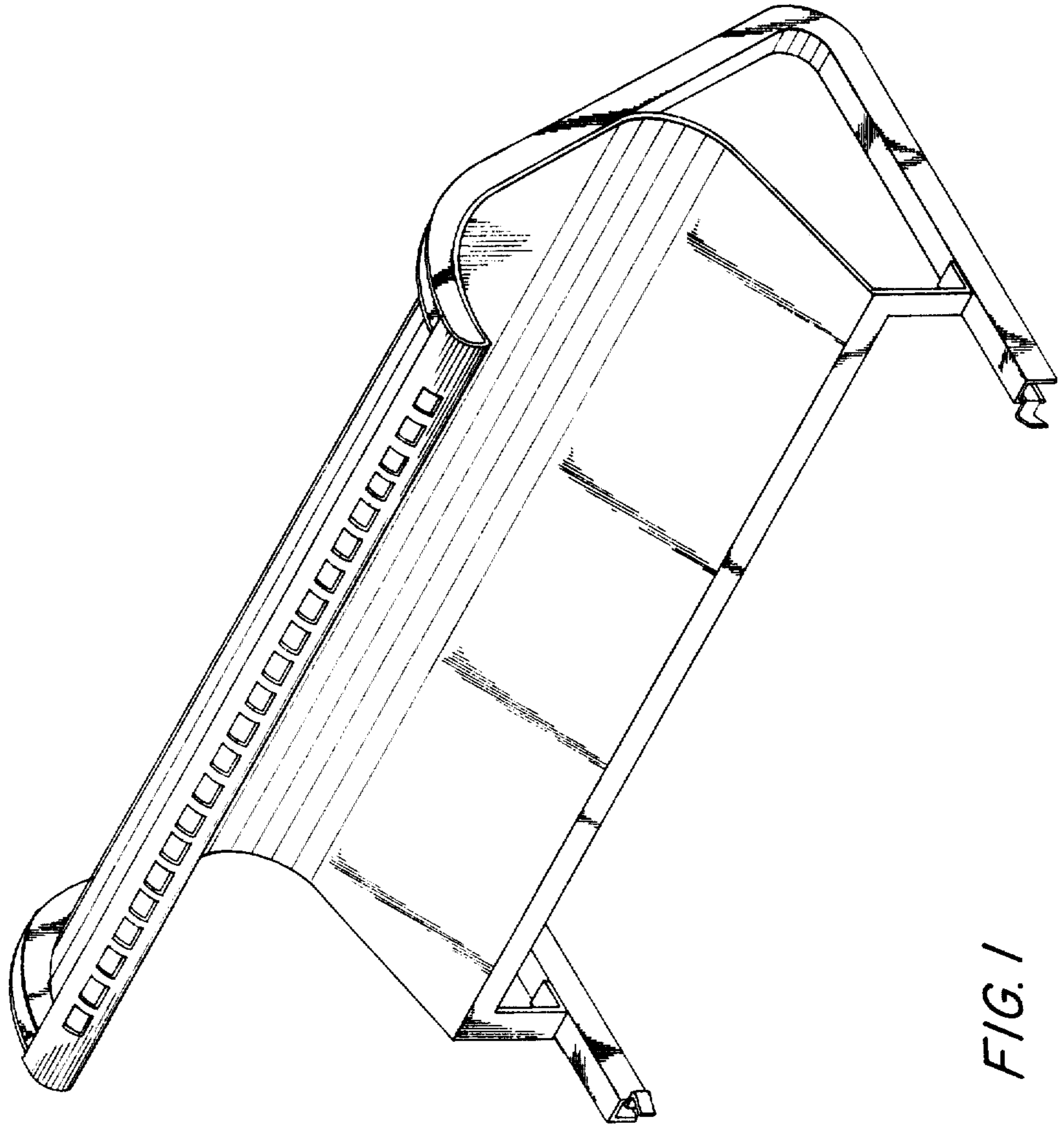


FIG. 1

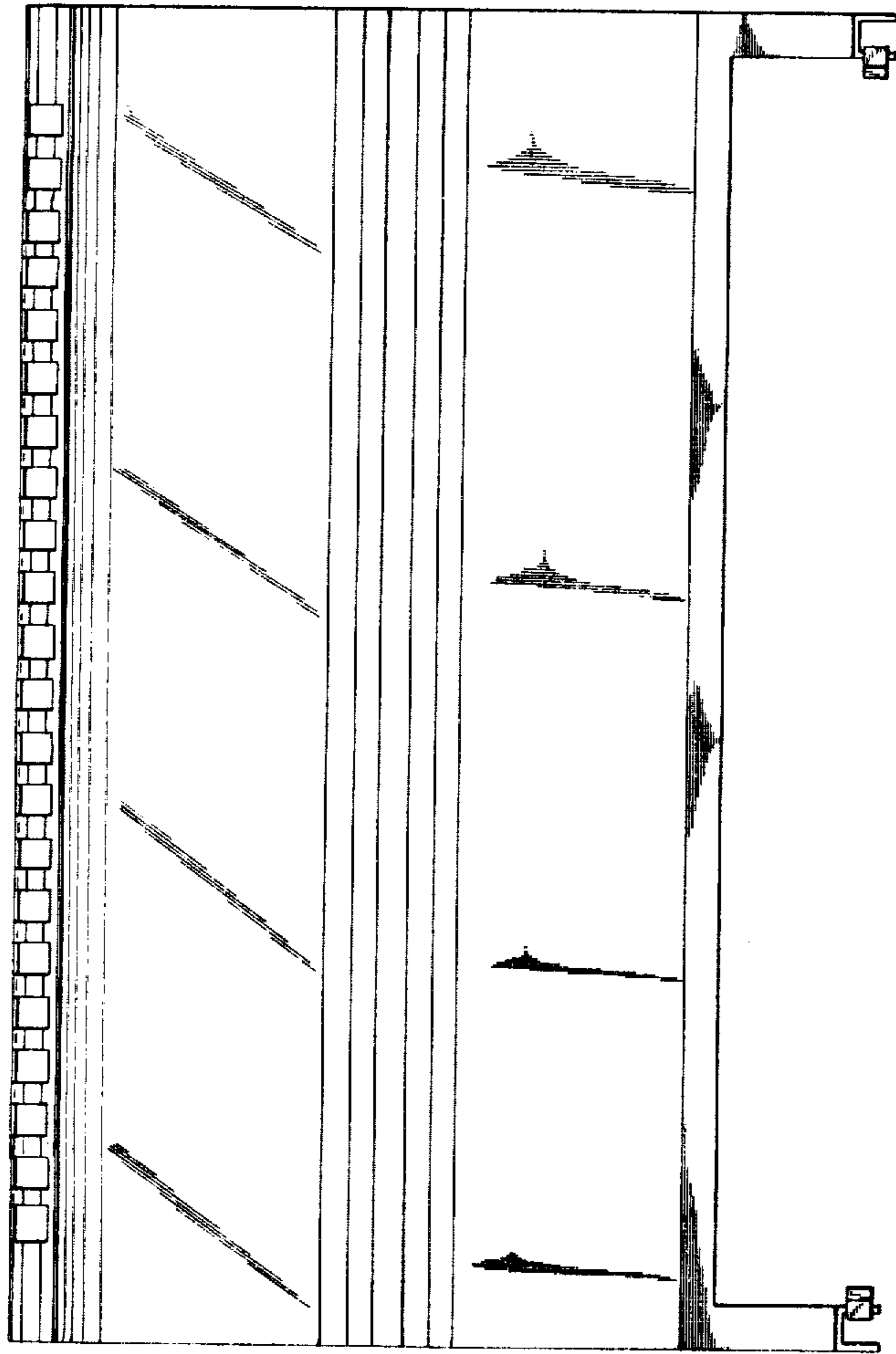


FIG. 2

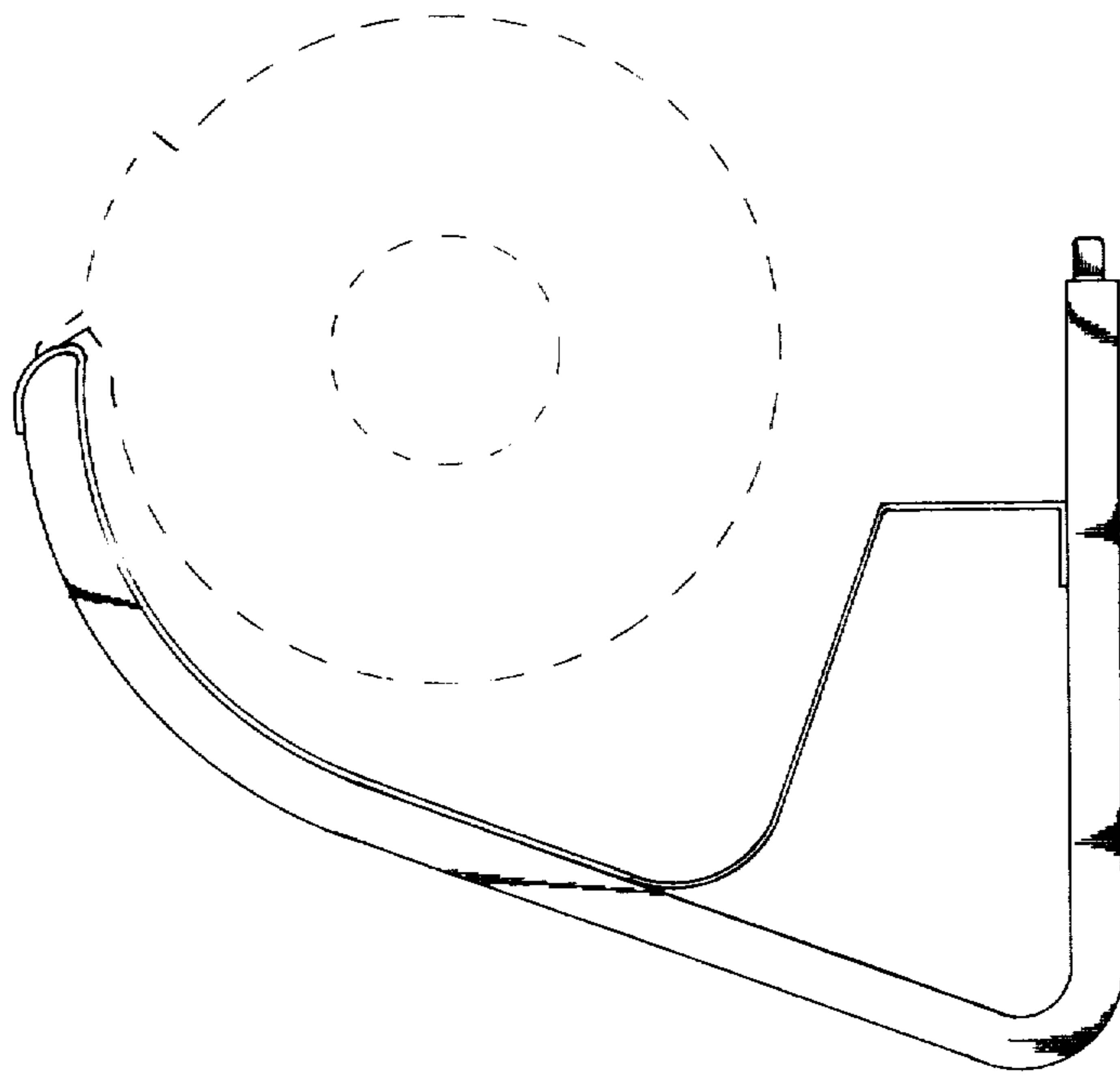


FIG. 3