

[54] ROTATABLE PLANTER

[76] Inventor: Frank Altman, 1615 S. 14th Ave., Hollywood, Fla. 33020

[**] Term: 14 Years

[21] Appl. No.: 269,275

[22] Filed: Jun. 1, 1981

[51] Int. Cl. D6-06; D11-02

[52] U.S. Cl. D6/183; D11/152

[58] Field of Search D11/143-156, D11/164; D6/113, 137, 182, 183; 47/39, 66, 67; 211/131, 163, 164, 182; 428/35

[56] References Cited

U.S. PATENT DOCUMENTS

- D. 223,677 5/1972 Wienert D11/156
- D. 258,206 2/1981 Bourke D11/156
- D. 264,604 5/1982 Sussman D19/85

- 1,974,272 9/1934 Heineman 211/131
- 3,784,024 1/1974 Kristy 211/131
- 4,085,544 4/1978 Blake 47/39
- 4,224,764 9/1980 Dzewulski et al. 47/67

Primary Examiner—B. J. Bullock

Attorney, Agent, or Firm—Herbert L. Lerner; Laurence A. Greenberg

[57] CLAIM

The ornamental design for a rotatable planter, as shown and described.

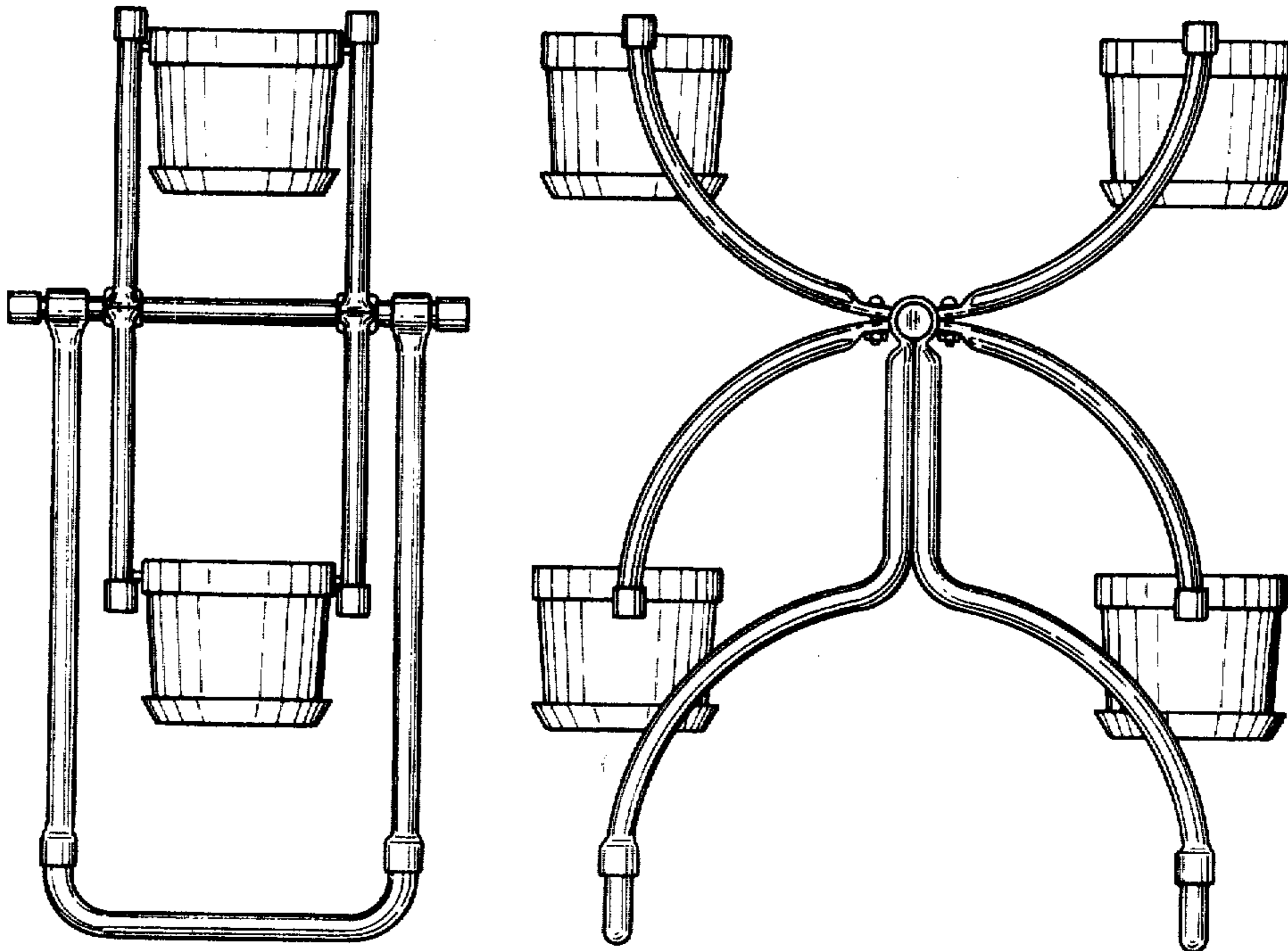
DESCRIPTION

FIG. 1 is a top plan view of a rotatable planter showing my new design;

FIG. 2 is a side elevational view of FIG. 1, the opposite side thereof being identical;

FIG. 3 is a front elevational view of FIG. 1, the opposite or rear view thereof being identical; and

FIG. 4 is a bottom plan view thereof.



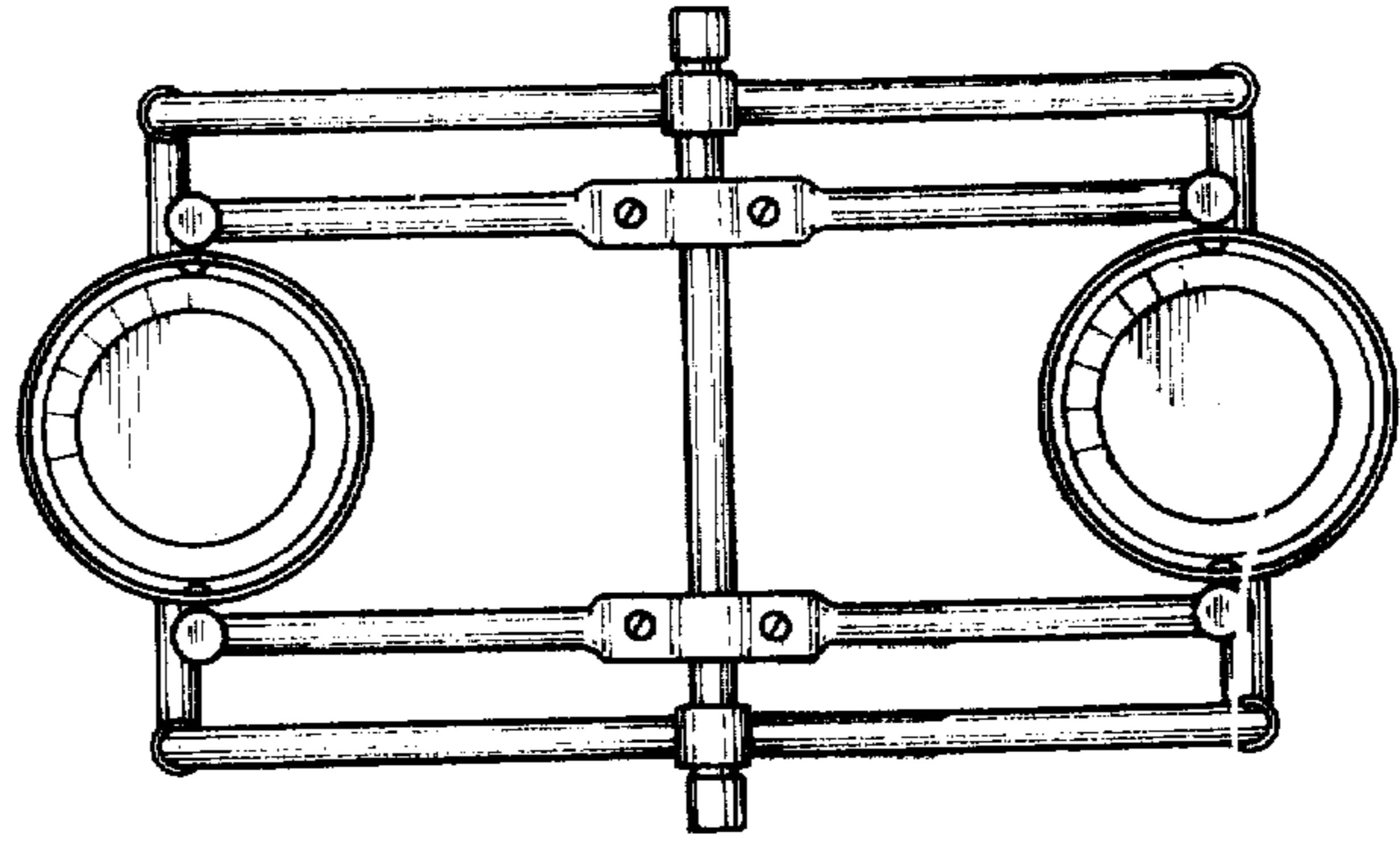


FIG. 1

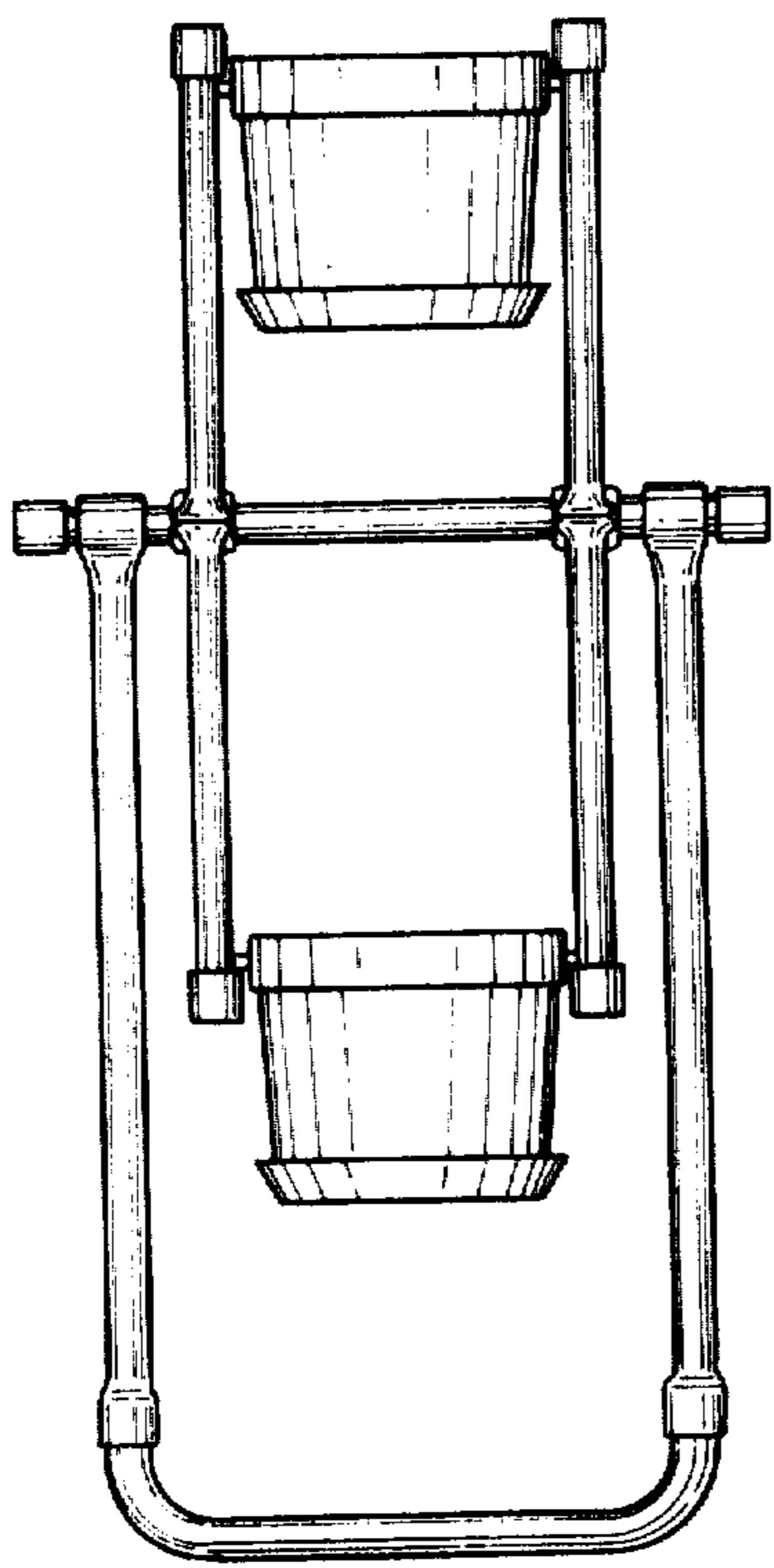


FIG. 3

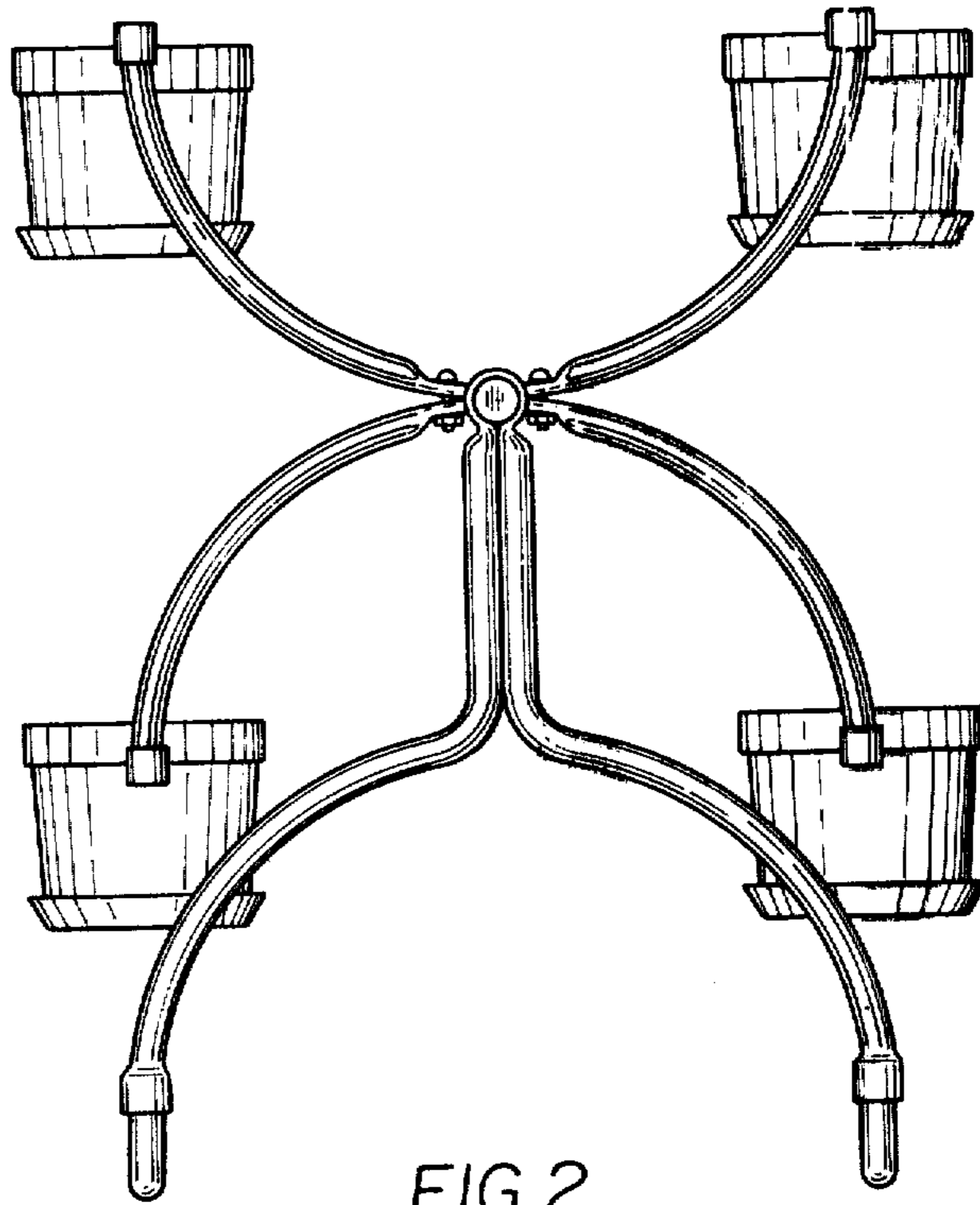


FIG. 2

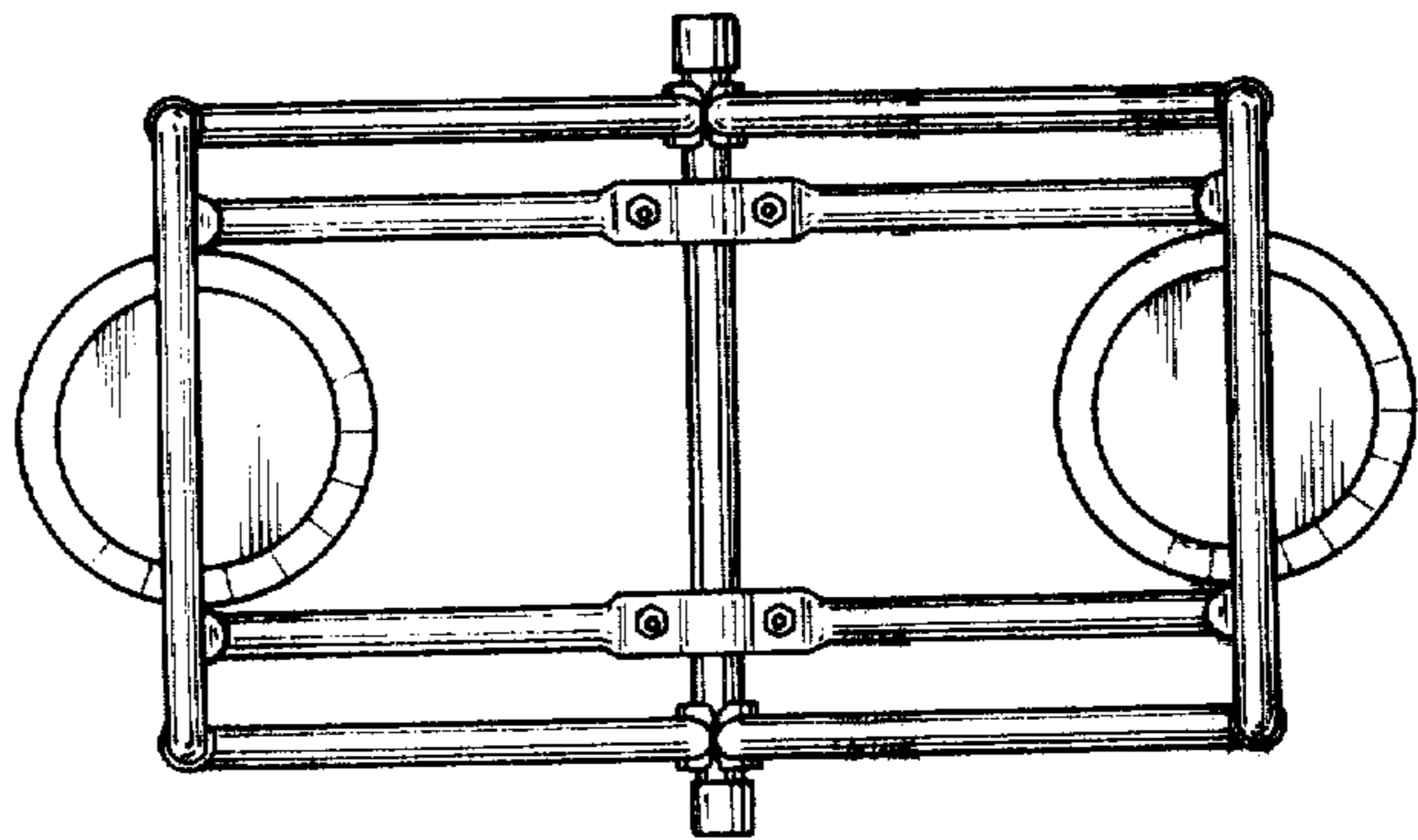


FIG. 4