

[54] **BATHROOM CABINET**

[76] **Inventor:** Zeev Raz, 17 Keren Hayessod St., Beersheva, Israel

[\*\*] **Term:** 14 Years

[21] **Appl. No.:** 184,260

[22] **Filed:** Sep. 5, 1980

[51] **Int. Cl.** ..... D6—04; D23—02

[52] **U.S. Cl.** ..... D6/104; D6/127; D6/167

[58] **Field of Search** ..... D6/104, 127, 168; 312/224, 324, 245

[56] **References Cited**

**U.S. PATENT DOCUMENTS**

D. 141,126	5/1945	Stanitz .....	D6/127
D. 199,175	9/1964	Ryan .....	D6/104
D. 252,960	9/1979	Faust .....	D6/104
2,835,359	5/1958	Boldt et al. ....	312/324
4,307,923	12/1981	Raz .....	D6/104

*Primary Examiner*—B. J. Bullock  
*Attorney, Agent, or Firm*—Holman & Stern

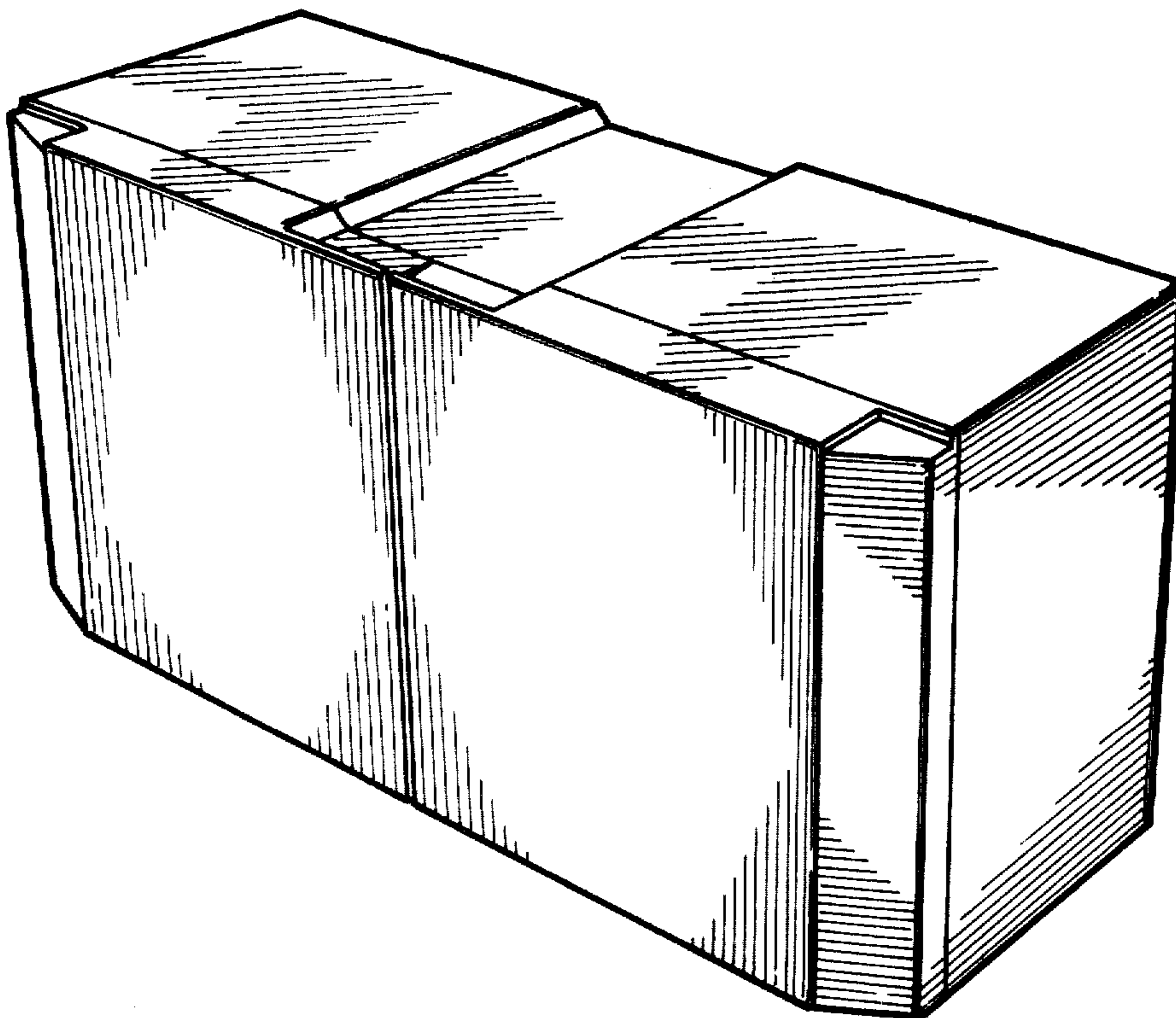
[57] **CLAIM**

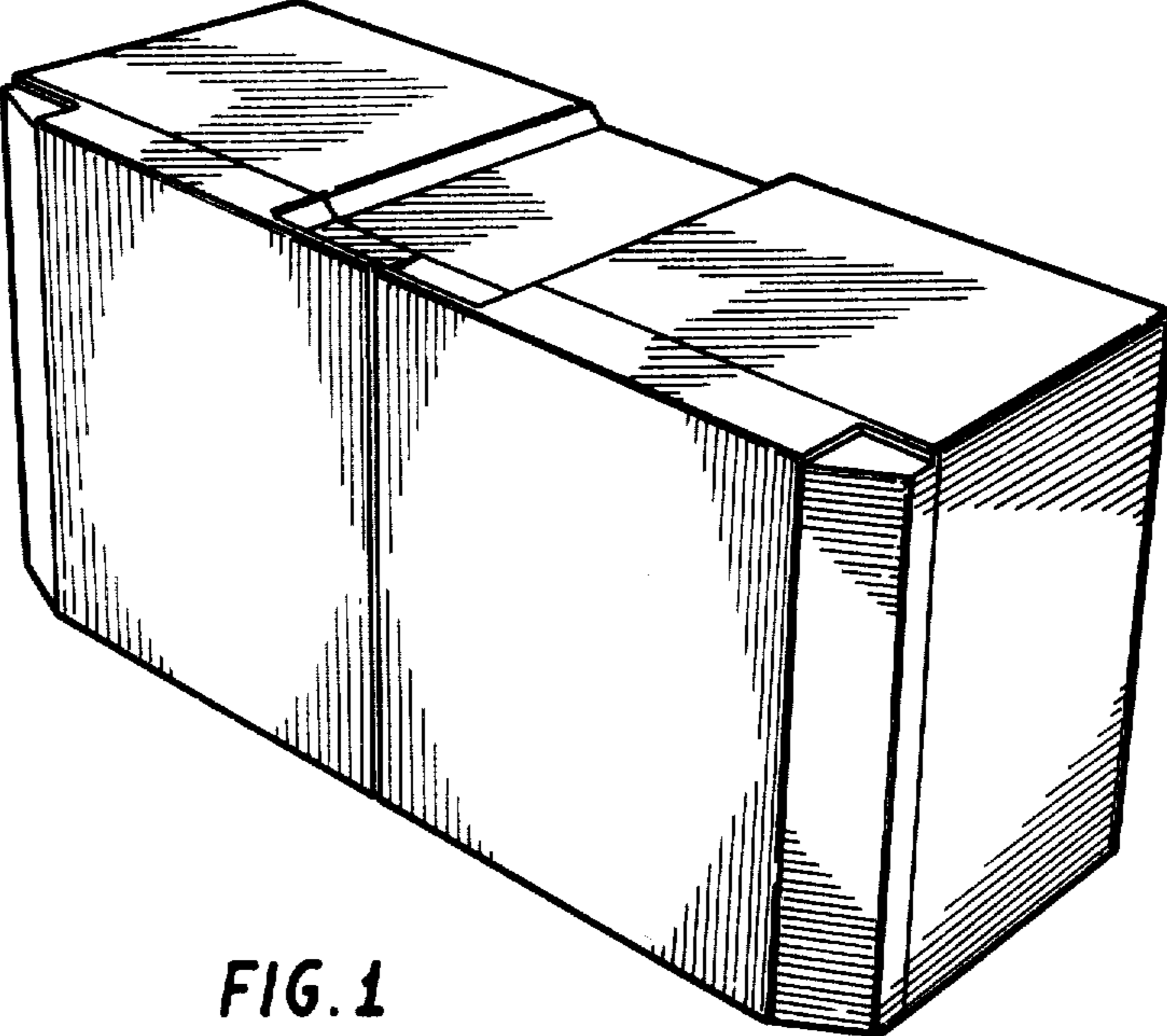
The ornamental design for the bathroom cabinet, as shown and described.

**DESCRIPTION**

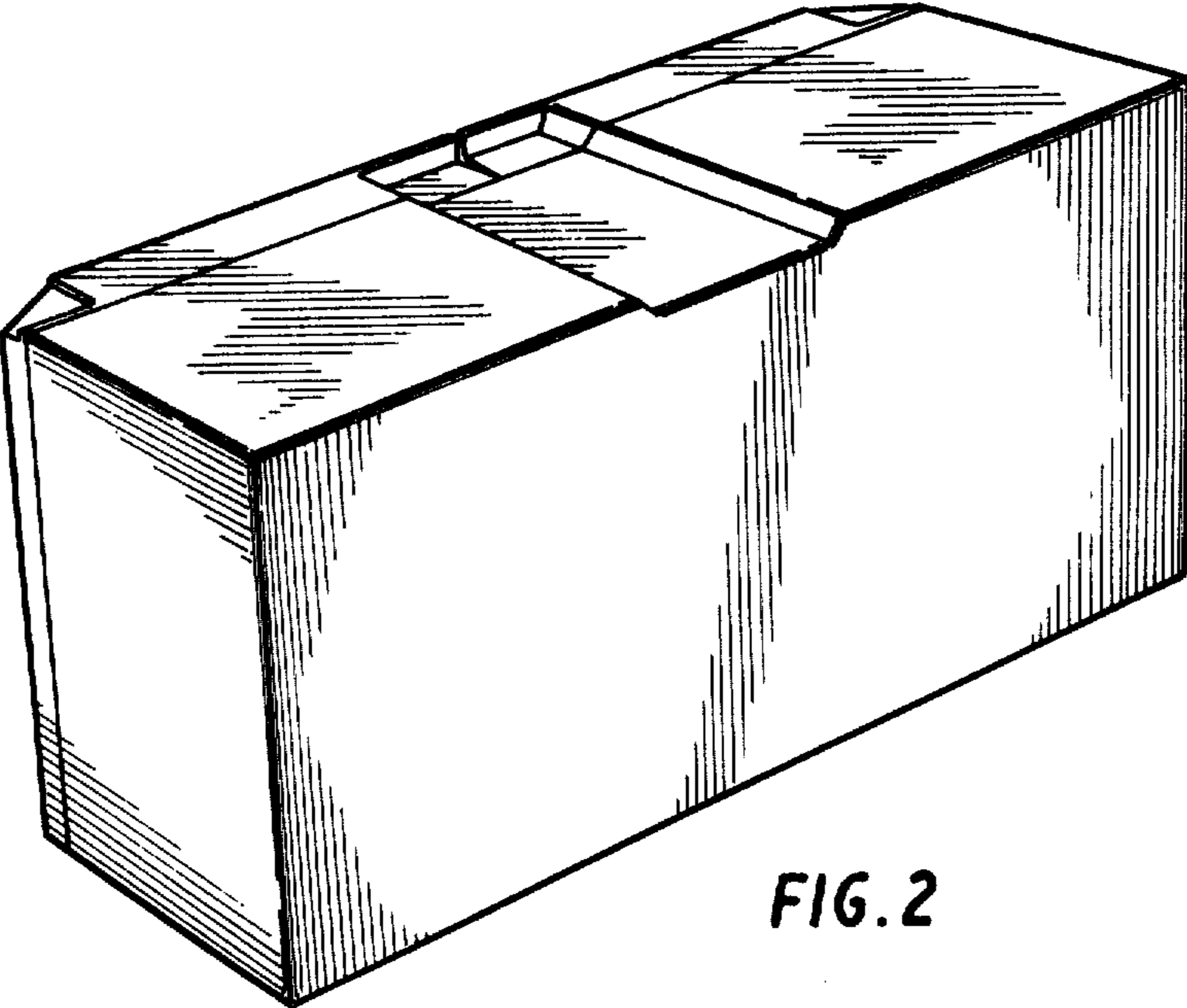
FIG. 1 is a front, top isometric view of a bathroom cabinet embodying my new design, the bottom being flat and unornamented;

FIG. 2 is a rear, top isometric view thereof.





**FIG. 1**



**FIG. 2**