

[54] **CASE FOR A VIDEO CASSETTE**

[75] Inventor: **Hartmut Thiele**, Munich, Fed. Rep. of Germany

[73] Assignee: **Agfa-Gevaert Aktiengesellschaft**, Bayerwerk-Leverkusen, Fed. Rep. of Germany

[\*\*] Term: **14 Years**

[21] Appl. No.: **305,145**

[22] Filed: **Sep. 24, 1981**

[51] Int. Cl. .... **D3-02**

[52] U.S. Cl. .... **D3/35; D3/30.1**

[58] Field of Search ..... **D3/301.1, 33, 35, 78; 220/324; 206/387; 150/52 F; D14/6, 11**

[56] **References Cited**  
**U.S. PATENT DOCUMENTS**  
 D. 232,393 8/1974 Barkman ..... D3/35

D. 236,291 8/1975 Schurman ..... D3/35  
 D. 242,879 12/1976 Schurman ..... D3/35  
 D. 257,080 9/1980 Schmidt ..... D3/35

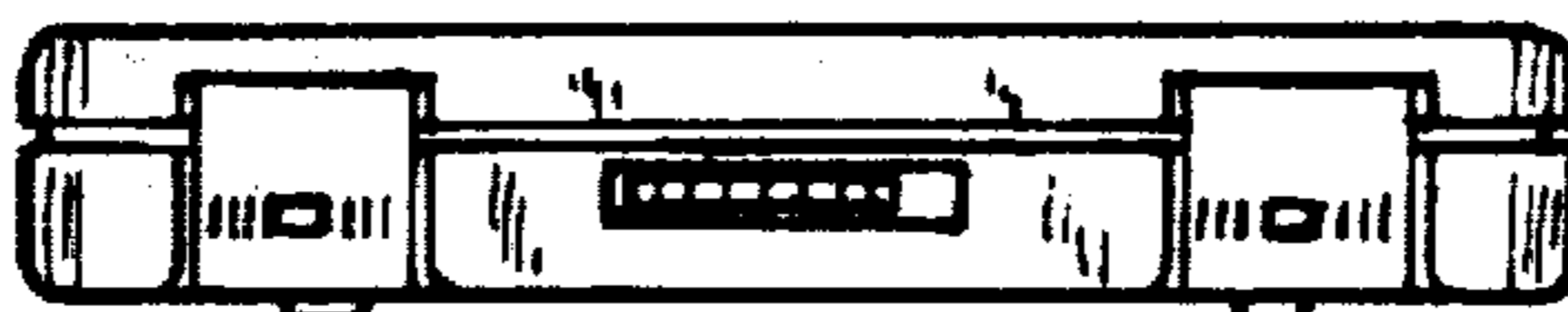
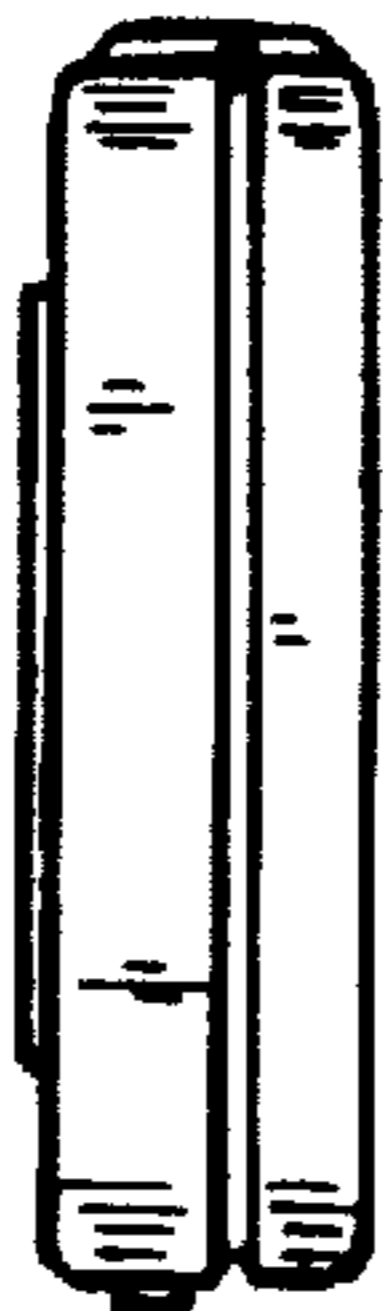
*Primary Examiner*—George P. Word  
*Attorney, Agent, or Firm*—Connolly and Hutz

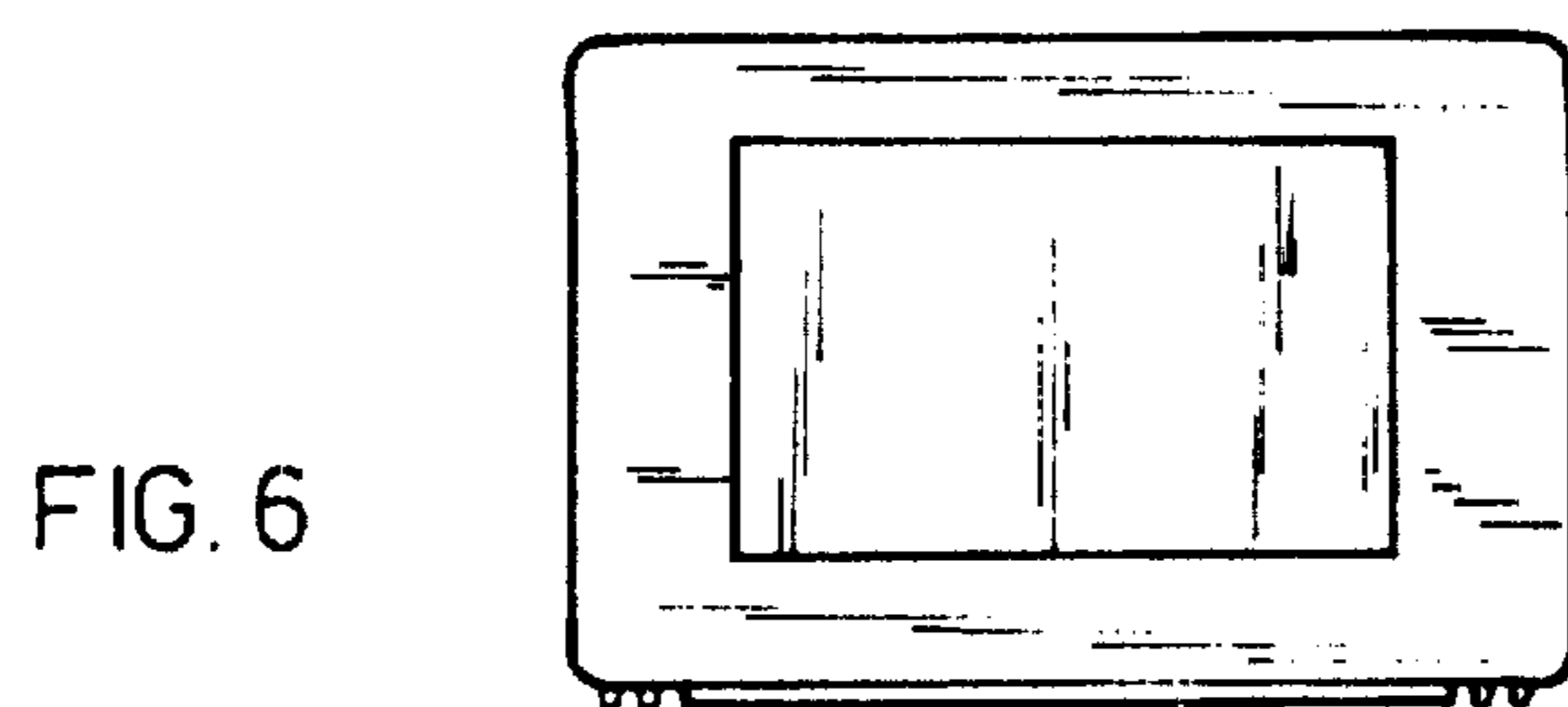
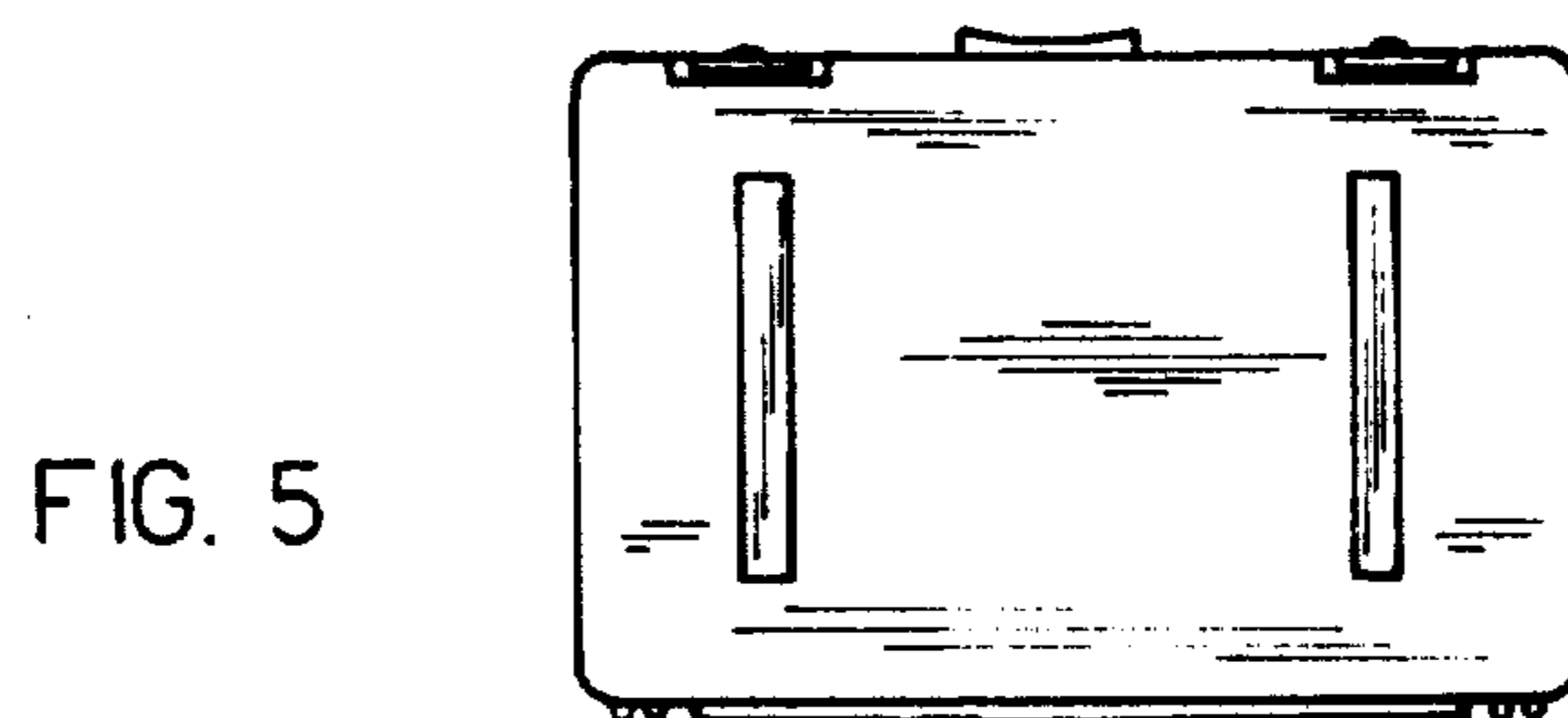
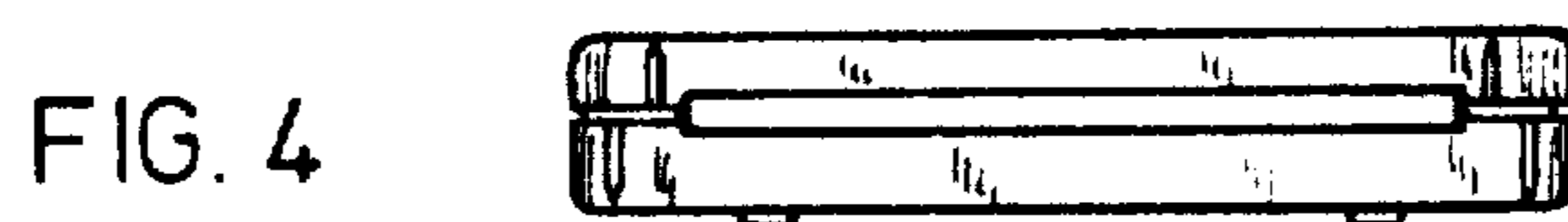
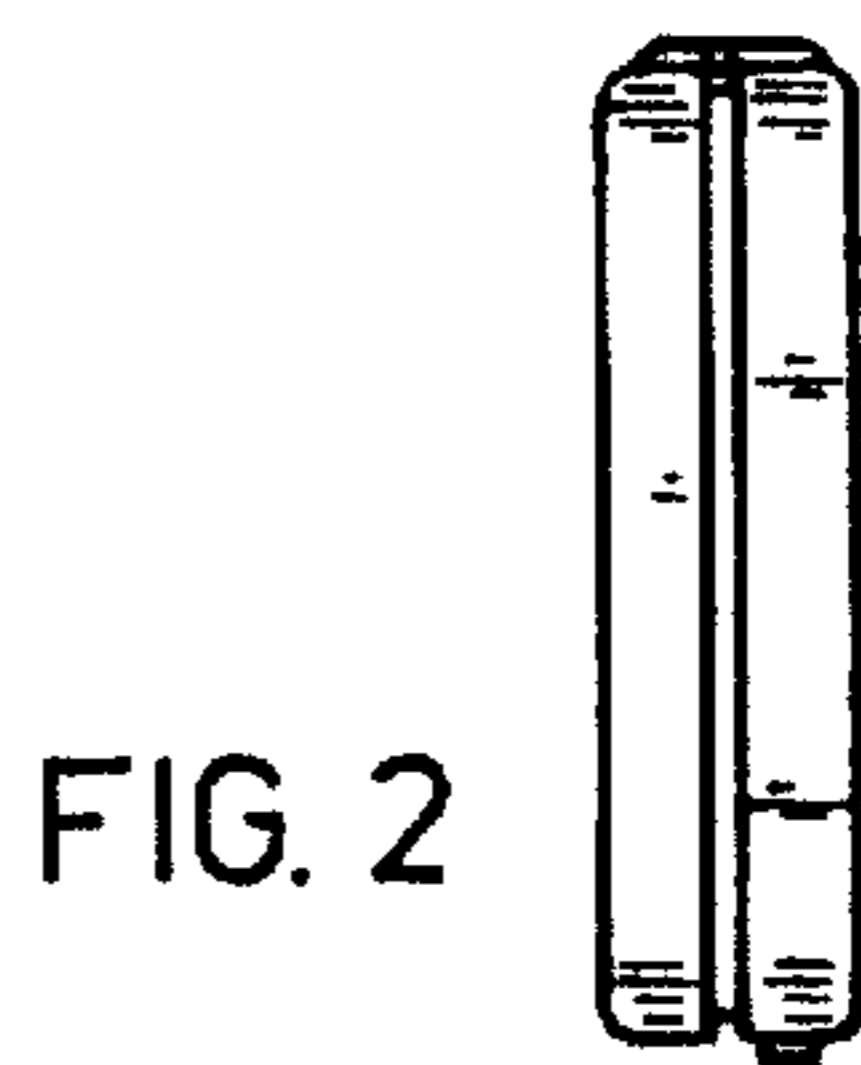
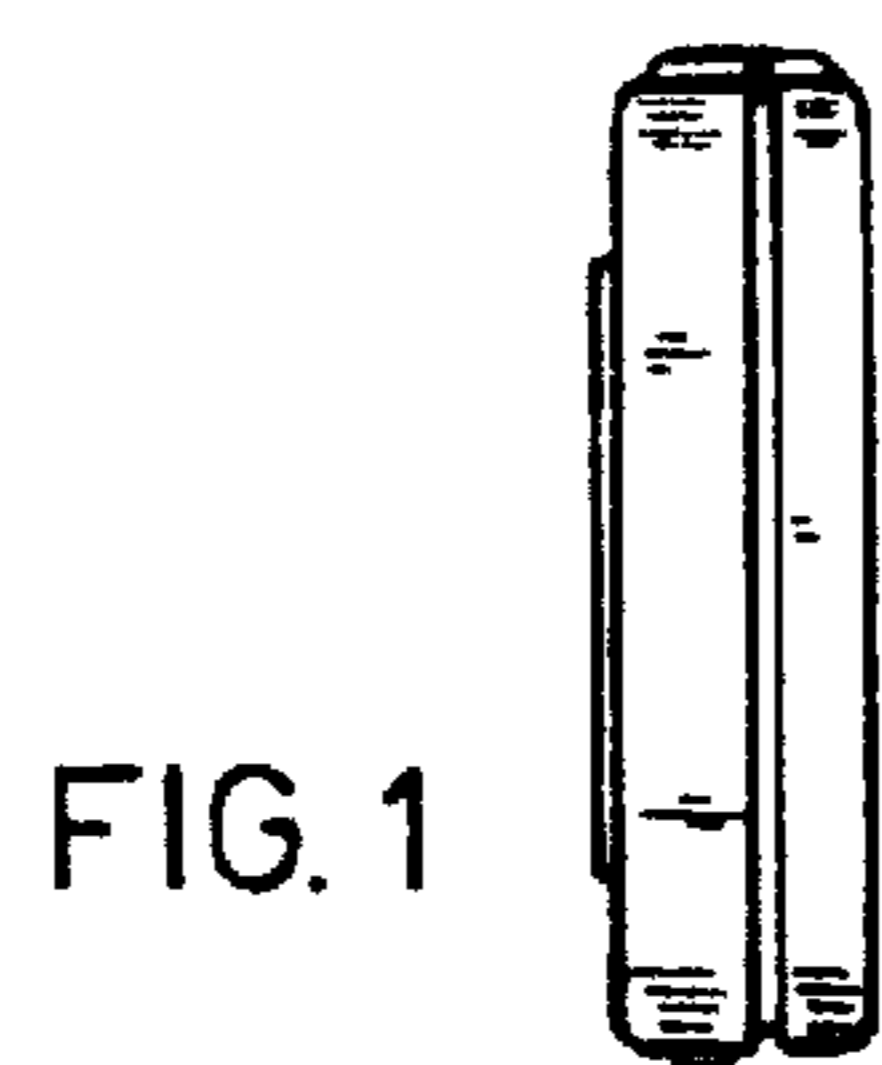
[57] **CLAIM**

The ornamental design for a case for a video cassette, substantially as shown and described.

**DESCRIPTION**

FIG. 1 is a right side elevational view of a case for a video cassette showing my new design;  
 FIG. 2 is a left side elevational view thereof;  
 FIG. 3 is a front elevational view thereof;  
 FIG. 4 is a rear elevational view thereof;  
 FIG. 5 is a bottom plan view thereof;  
 FIG. 6 is a top plan view thereof;  
 FIG. 7 is a perspective view showing the front and top thereof; and  
 FIG. 8 is a perspective view showing the rear and bottom thereof.





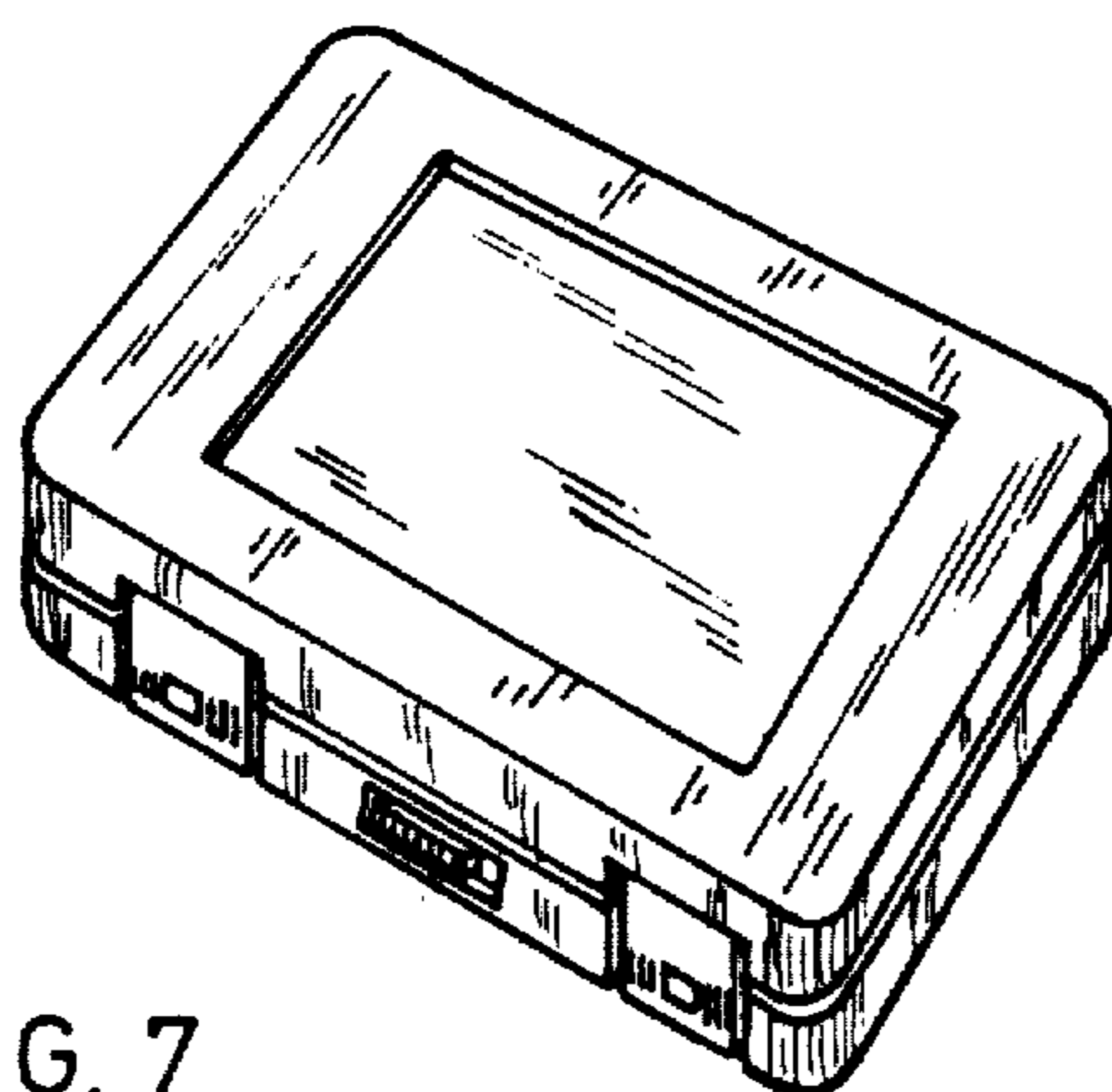


FIG. 7

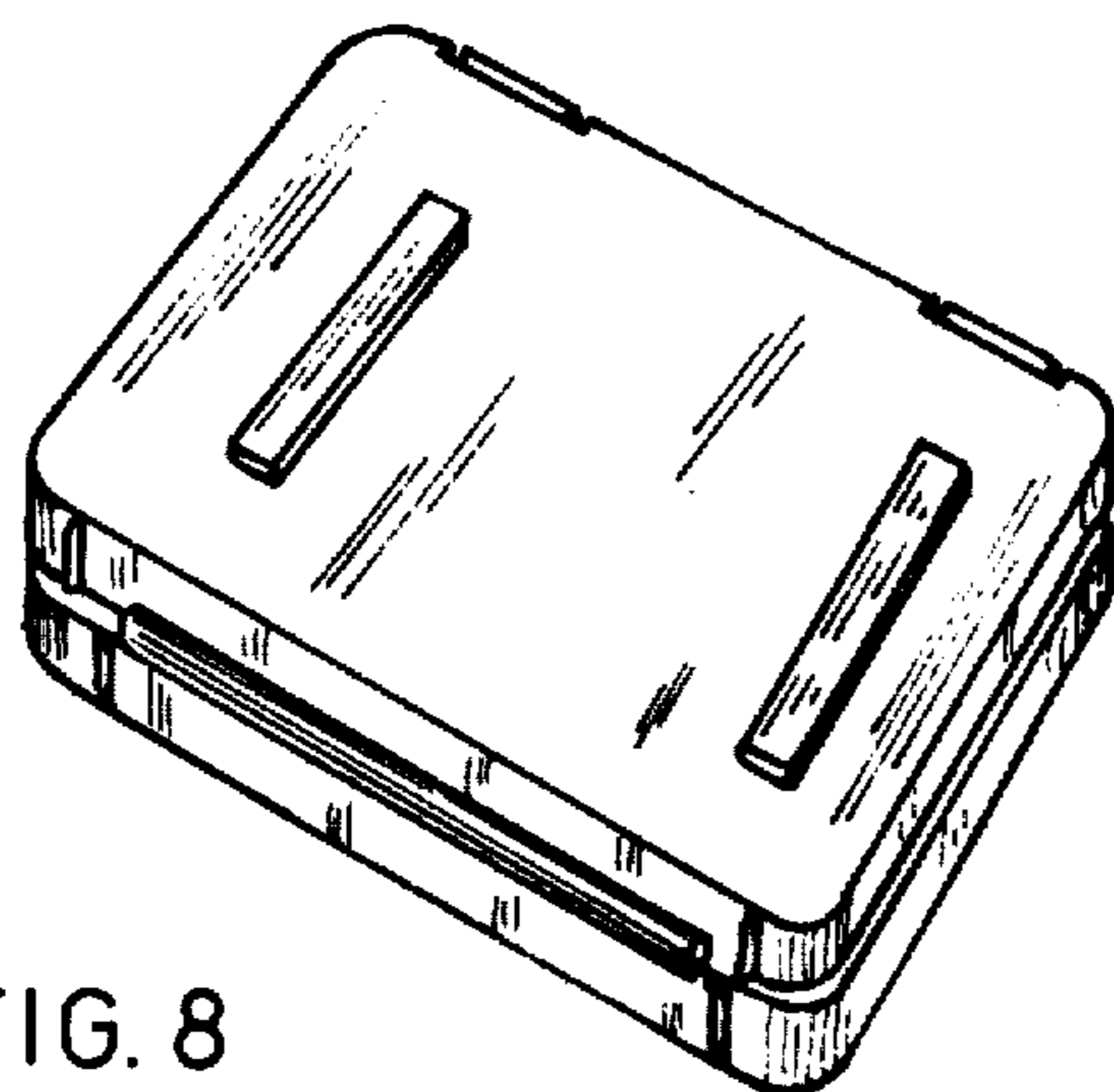


FIG. 8