

[54] COMBINED DISH RACK AND DRAINER

[75] Inventor: Keith K. K. Lee, Hong Kong, Hong Kong

[73] Assignee: Kee Cheong Lee's Co. Ltd., Hong Kong

[**] Term: 14 Years

[21] Appl. No.: 259,391

[22] Filed: May 1, 1981

[30] Foreign Application Priority Data

Dec. 29, 1980 [GB] United Kingdom 998248

[51] Int. Cl. D7-05

[52] U.S. Cl. D32/55

[58] Field of Search D32/55; 211/41; 4/656

[56] References Cited

U.S. PATENT DOCUMENTS

D. 188,864 9/1960 Stansbury et al. D32/55

Primary Examiner—Catherine E. Kemper
Attorney, Agent, or Firm—Townsend and Townsend

[57] CLAIM

The ornamental design for a combined dish rack and drainer, as shown.

DESCRIPTION

FIG. 1 is a top front perspective view of a combined dish rack and drainer, showing my new design; FIG. 2 is a top rear perspective view thereof; FIG. 3 is a side elevational view thereof; FIG. 4 is a bottom plan view thereof; FIG. 5 is a rear elevational view thereof; FIG. 6 is a perspective view with the dish rack partially unfolded; FIG. 7 is a perspective view with the dish rack fully unfolded.

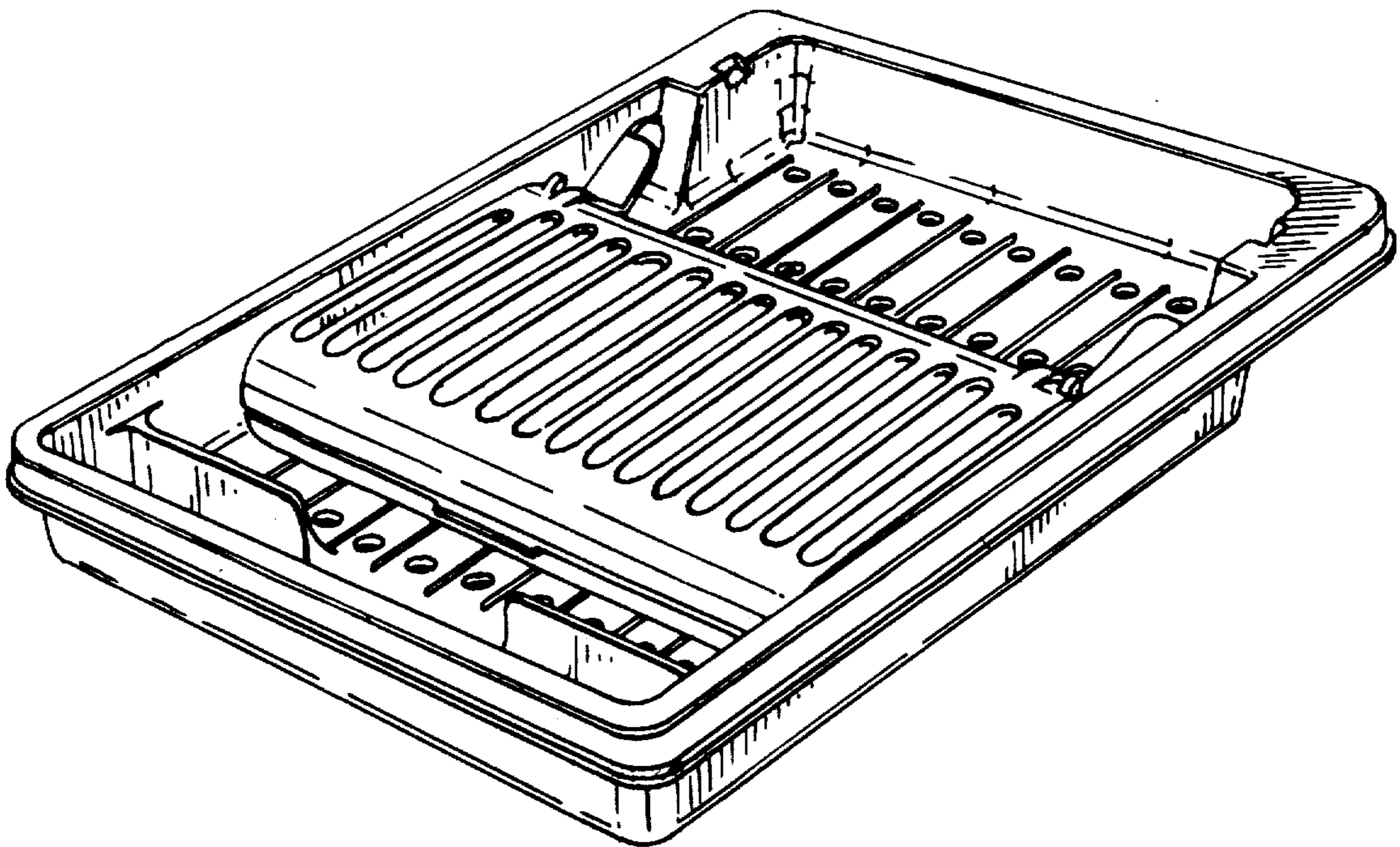


FIG. 1.

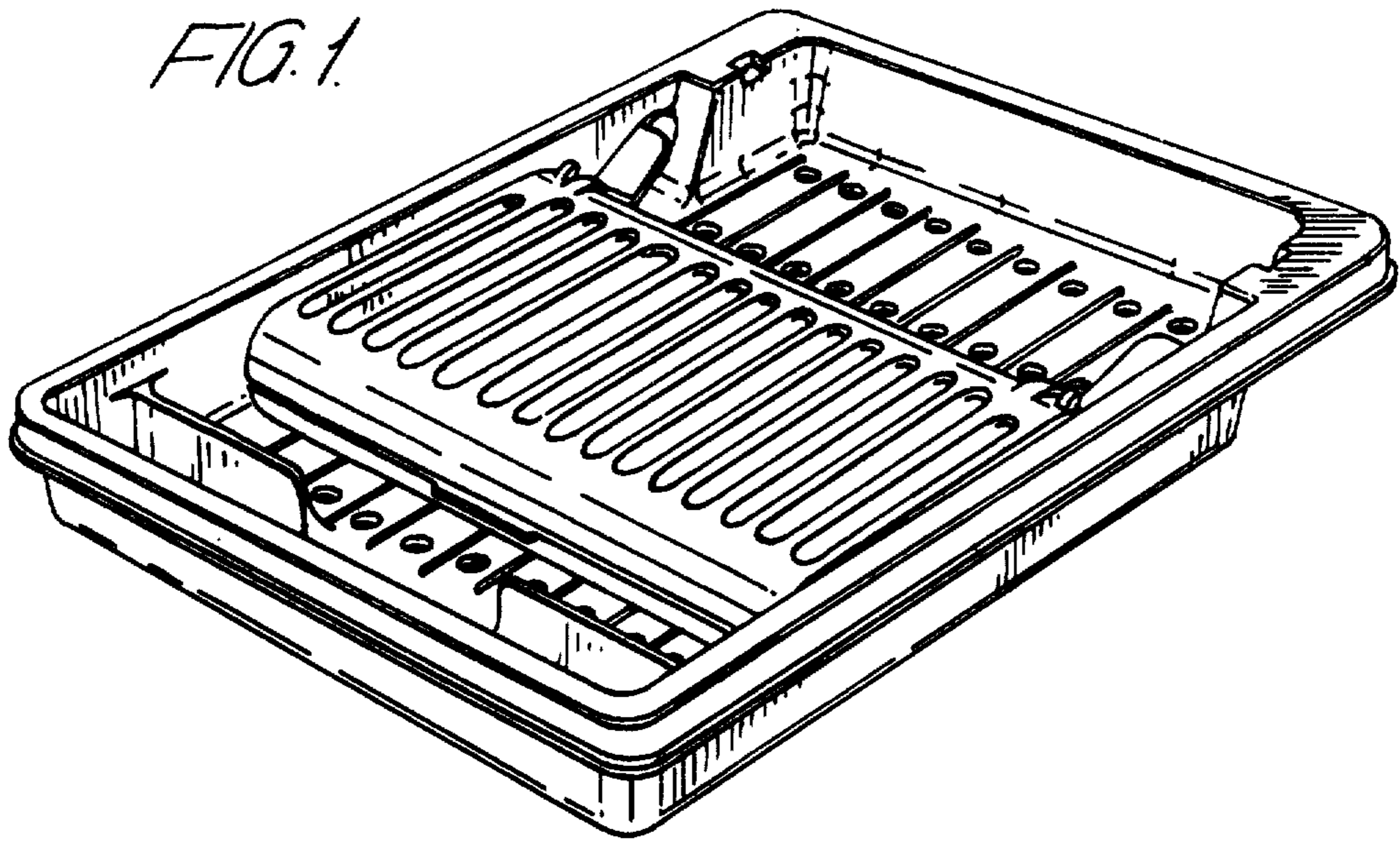


FIG. 2.

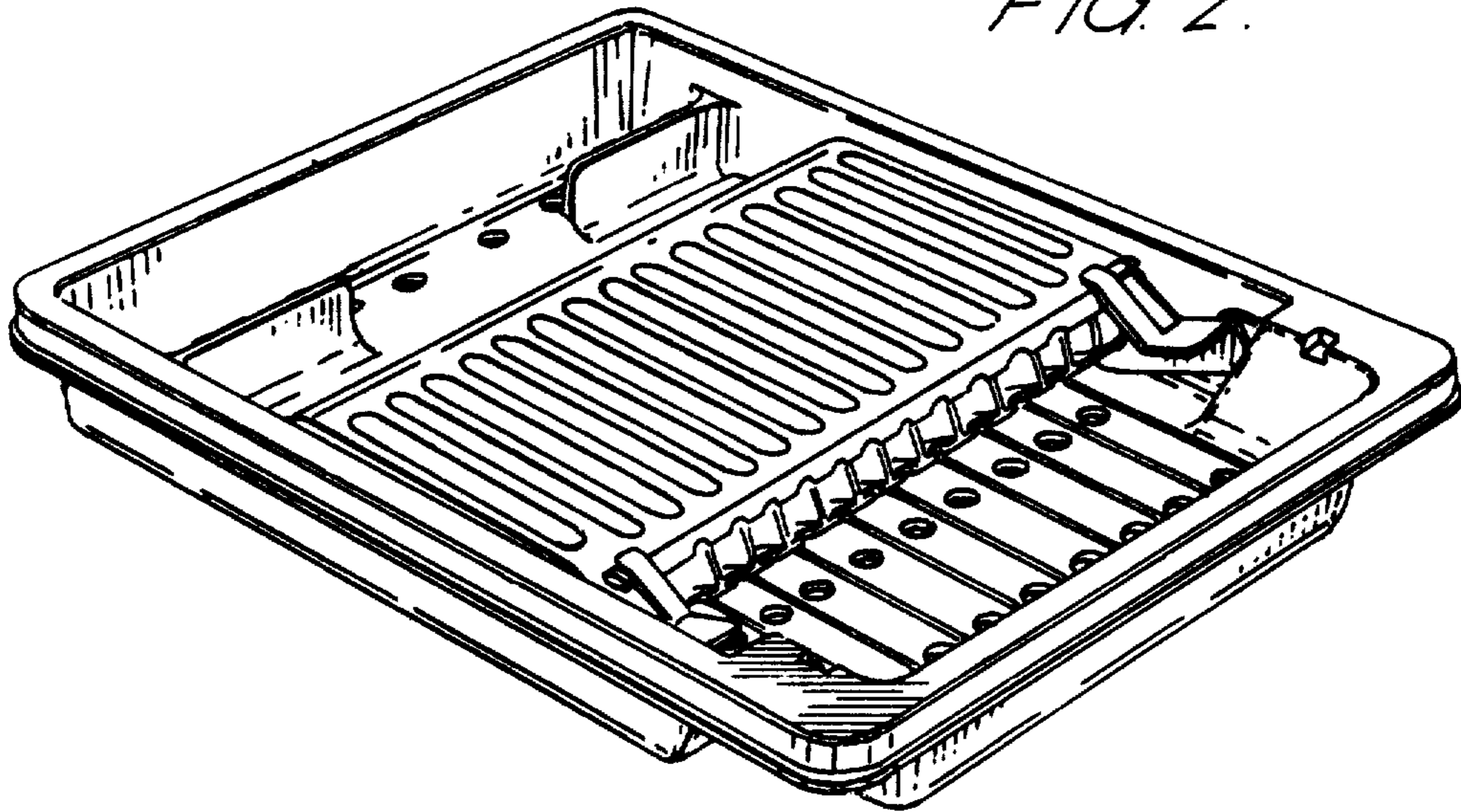


FIG. 3.

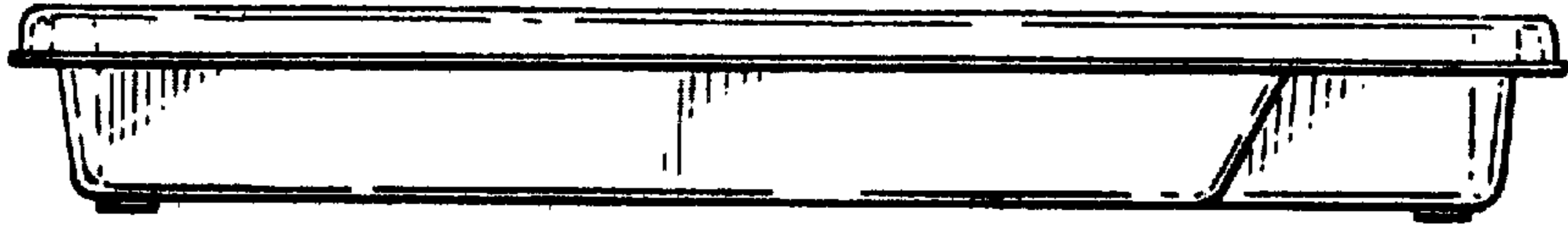


FIG. 4.

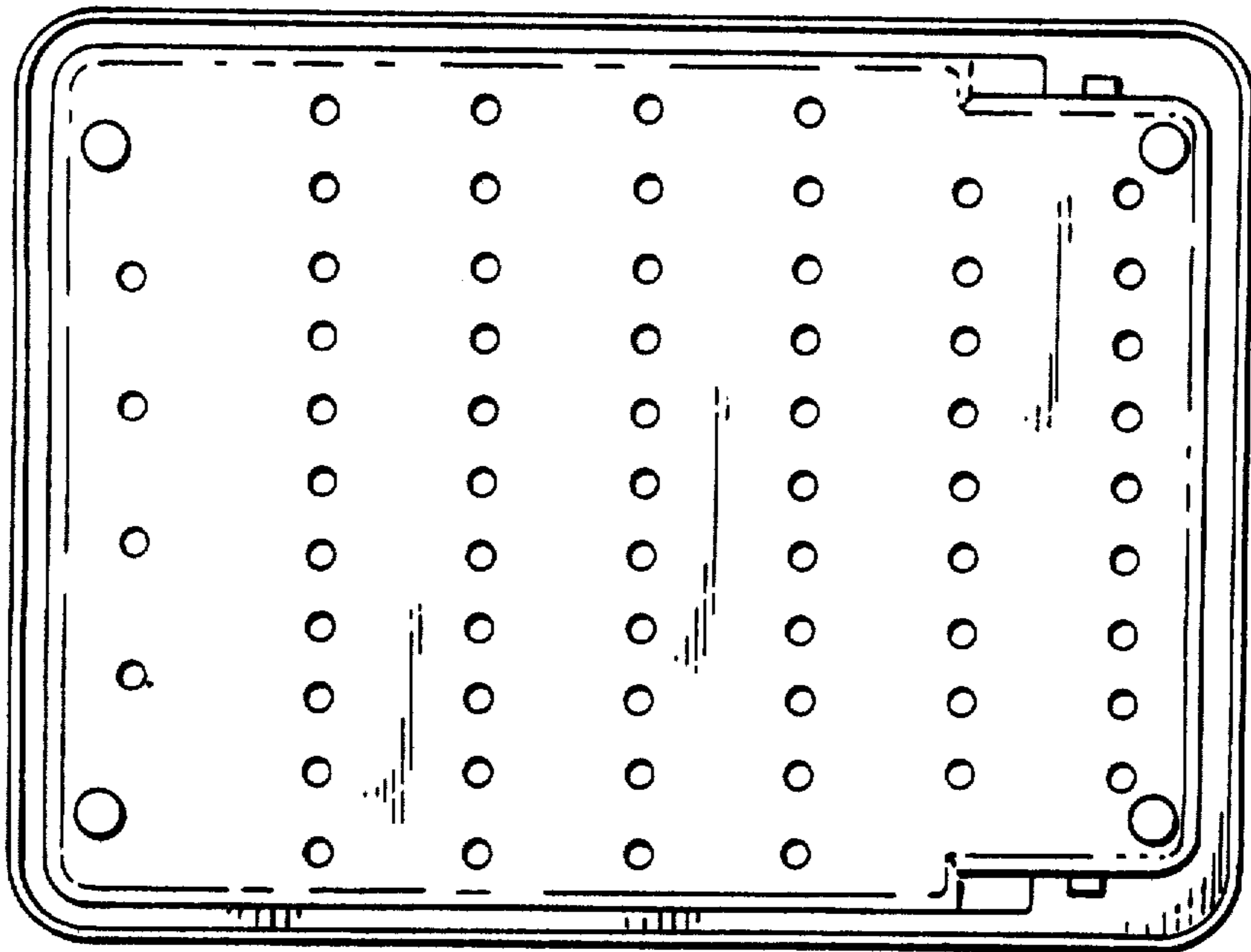


FIG. 5.

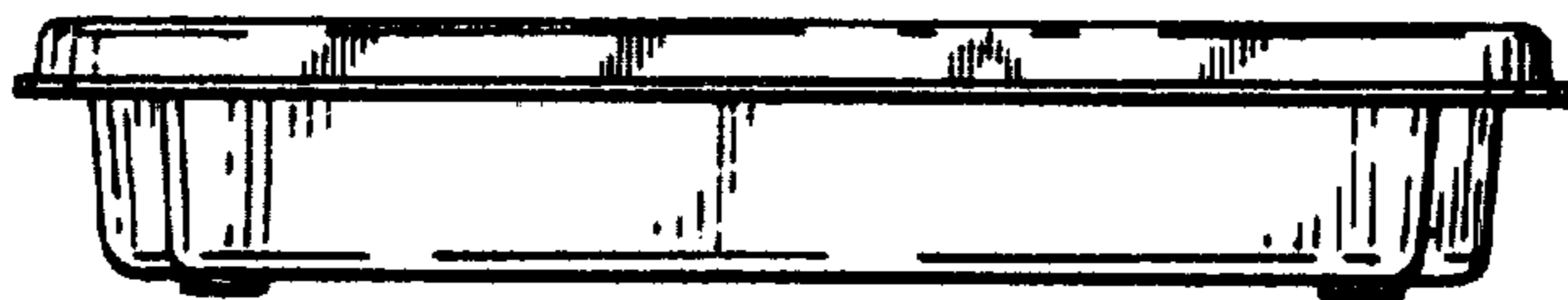


FIG. 6.

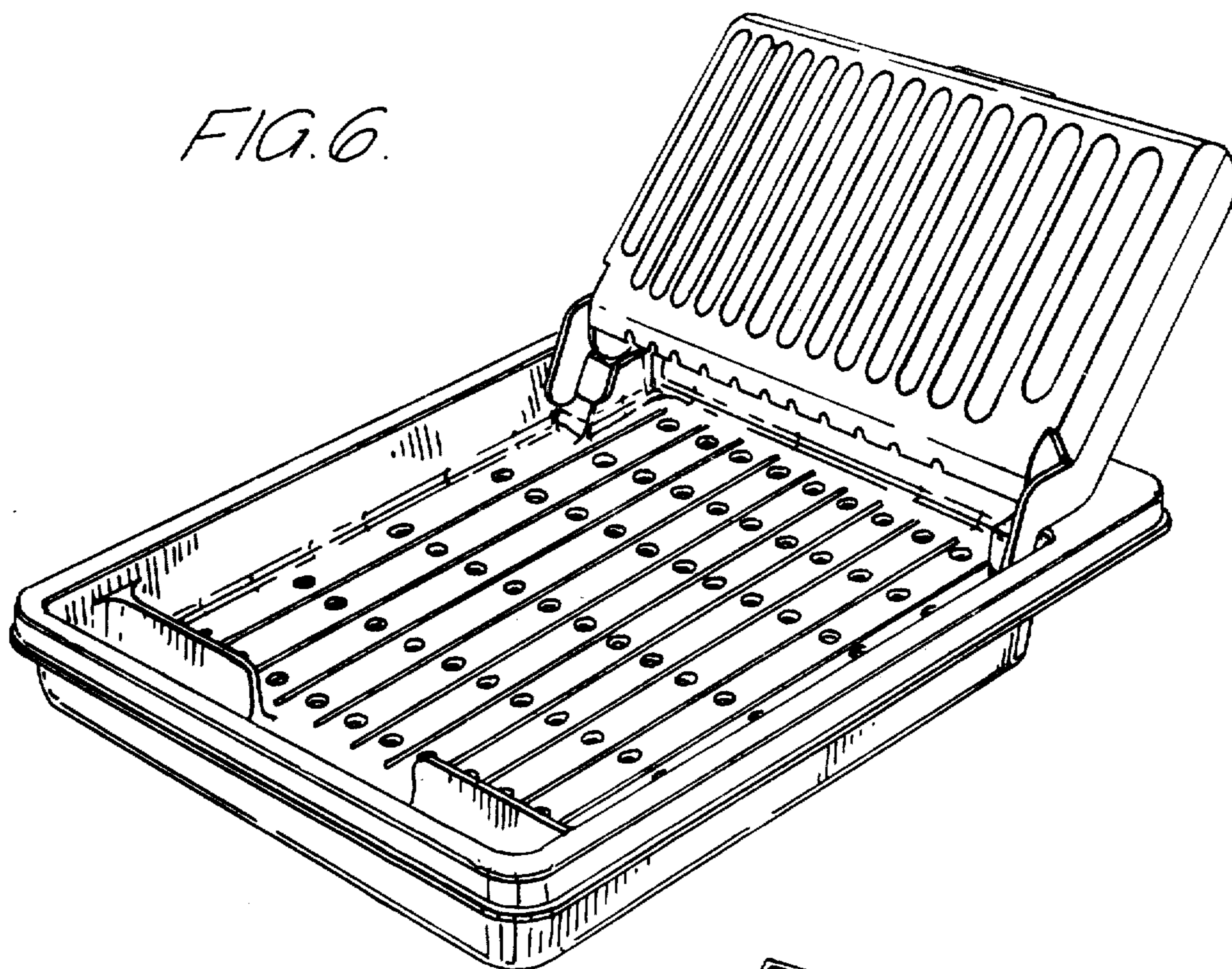


FIG. 7.

