

[54] **PORTABLE AIR FILTRATION UNIT**

[76] Inventor: **Hubert G. Dukowski, Suite 802, 555 W. 28th St., North Vancouver, British Columbia, Canada**

[**] Term: **14 Years**

[21] Appl. No.: **244,485**

[22] Filed: **Mar. 16, 1981**

[30] **Foreign Application Priority Data**

Sep. 16, 1980 [CA] Canada 16-09-80-2

[51] Int. Cl. **D29—99; D23—04**

[52] U.S. Cl. **D29/6; D23/149; D29/7**

[58] Field of Search **D23/139-167; 55/DIG. 33; D29/6, 7, 99; 98/33 A; 128/200.24, 205.12, 205.22, 205.24, 205.27, 205.29**

[56] **References Cited**

U.S. PATENT DOCUMENTS

D. 143,097	12/1945	Schneider	D29/6
D. 180,098	4/1957	Mueller	D23/162
D. 222,687	11/1971	Adams	D29/7
D. 231,571	4/1974	Parker	D29/6
D. 238,979	2/1976	Perry et al.	D29/99 X
1,196,539	8/1916	Goldberg	128/205.27 X
1,298,404	3/1919	Romanoff	128/205.27
3,861,894	1/1975	Marsh	55/316

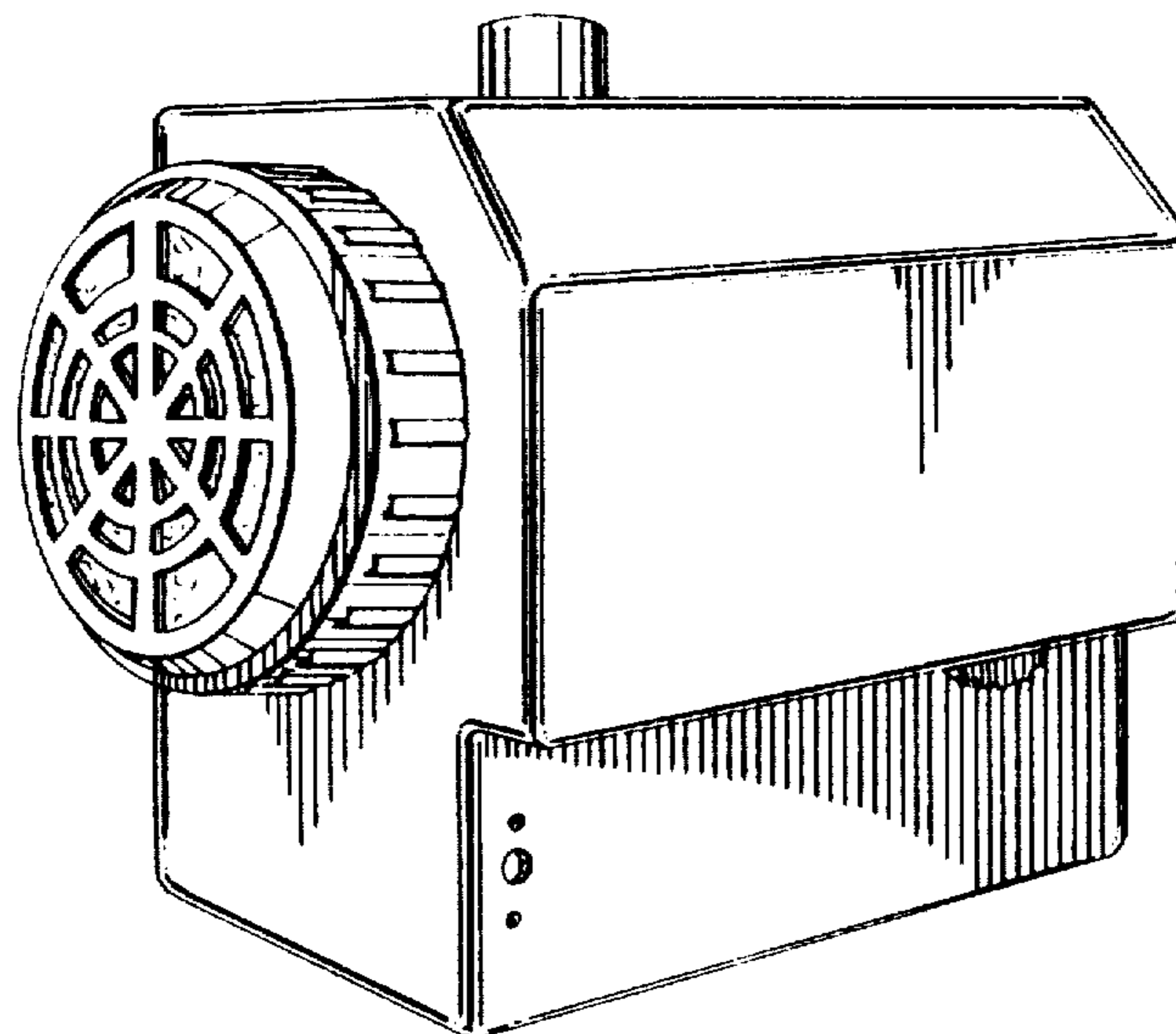
Primary Examiner—James R. Largen
Attorney, Agent, or Firm—Sughrue, Mion, Zinn, Macpeak and Seas

[57] **CLAIM**

The ornamental design for a portable air filtration unit, as shown and described.

DESCRIPTION

FIG. 1 is a perspective view taken from the front and left side of a portable air filtration unit showing my new design;
 FIG. 2 is a rear elevational view thereof;
 FIG. 3 is a bottom plan view thereof;
 FIG. 4 is a front elevational view thereof;
 FIG. 5 is a right side elevational view thereof; and
 FIG. 6 is a top plan view thereof.



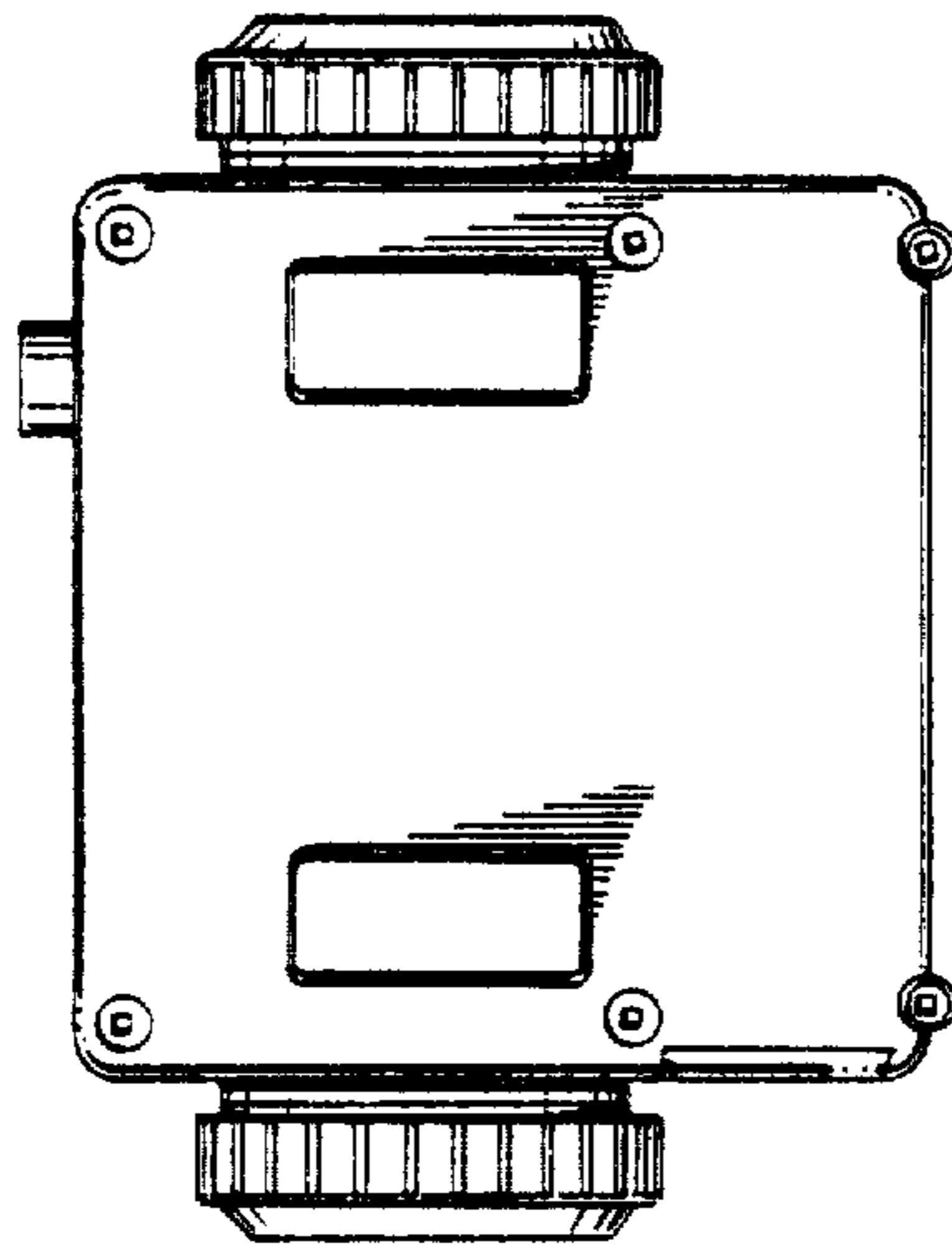


FIG. 2

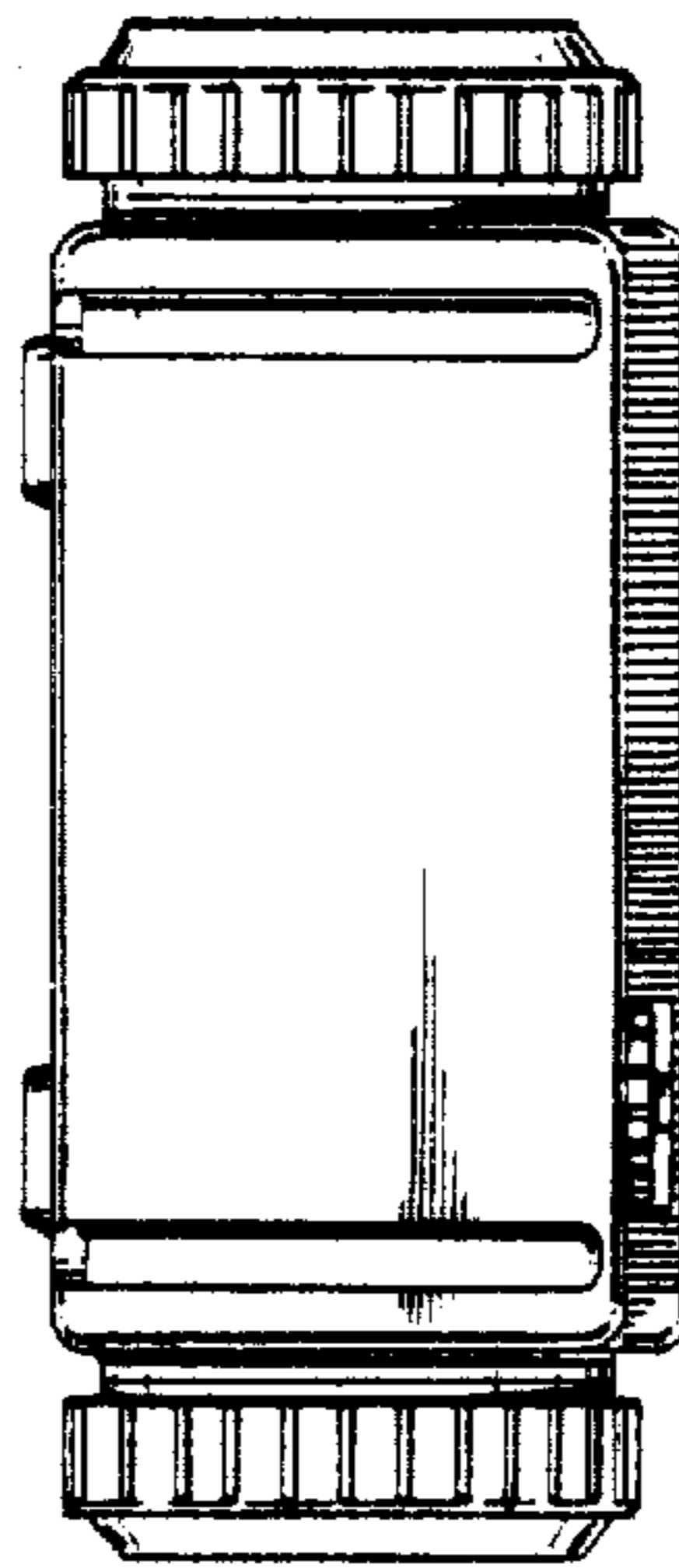


FIG. 3

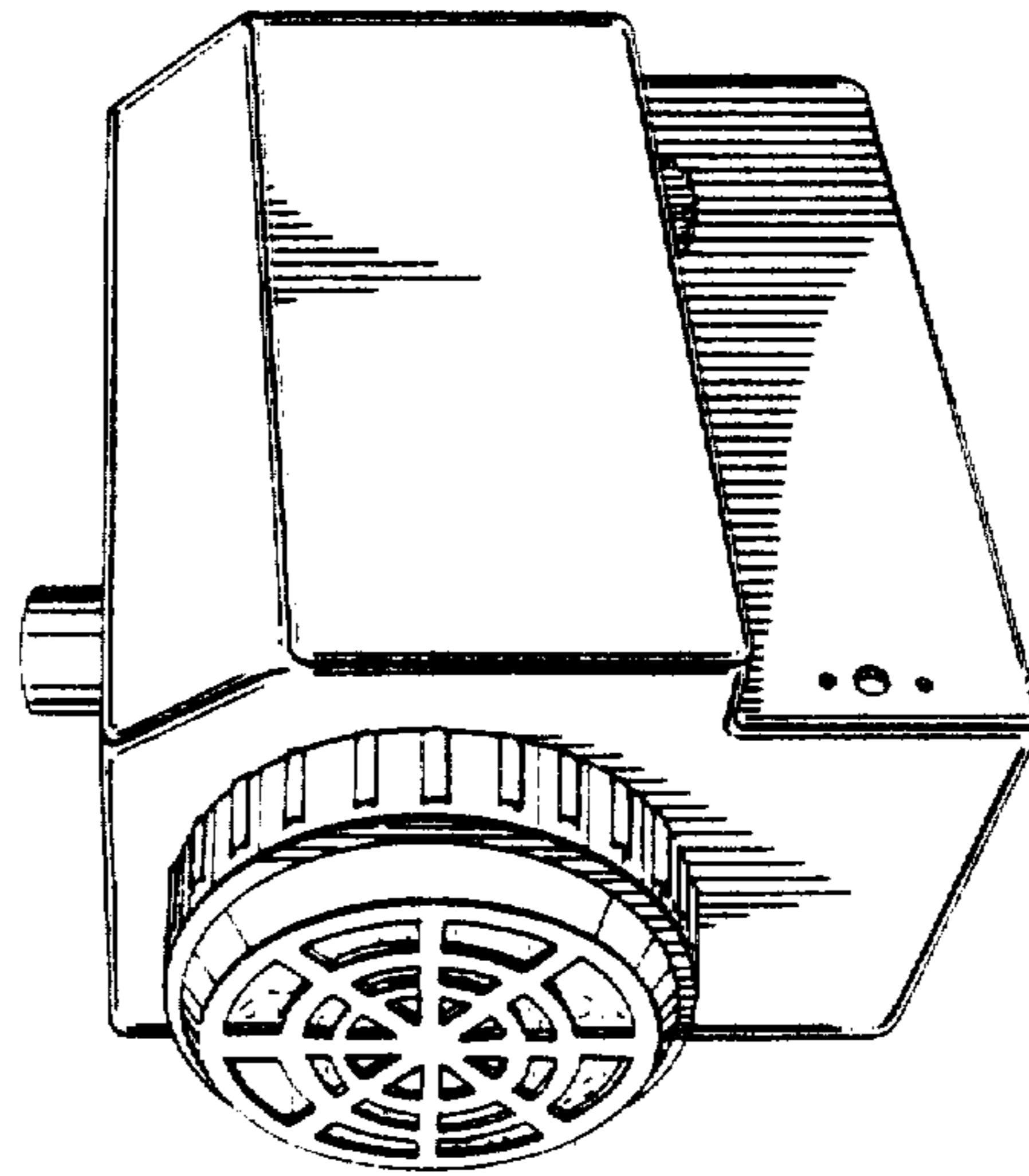


FIG. 1

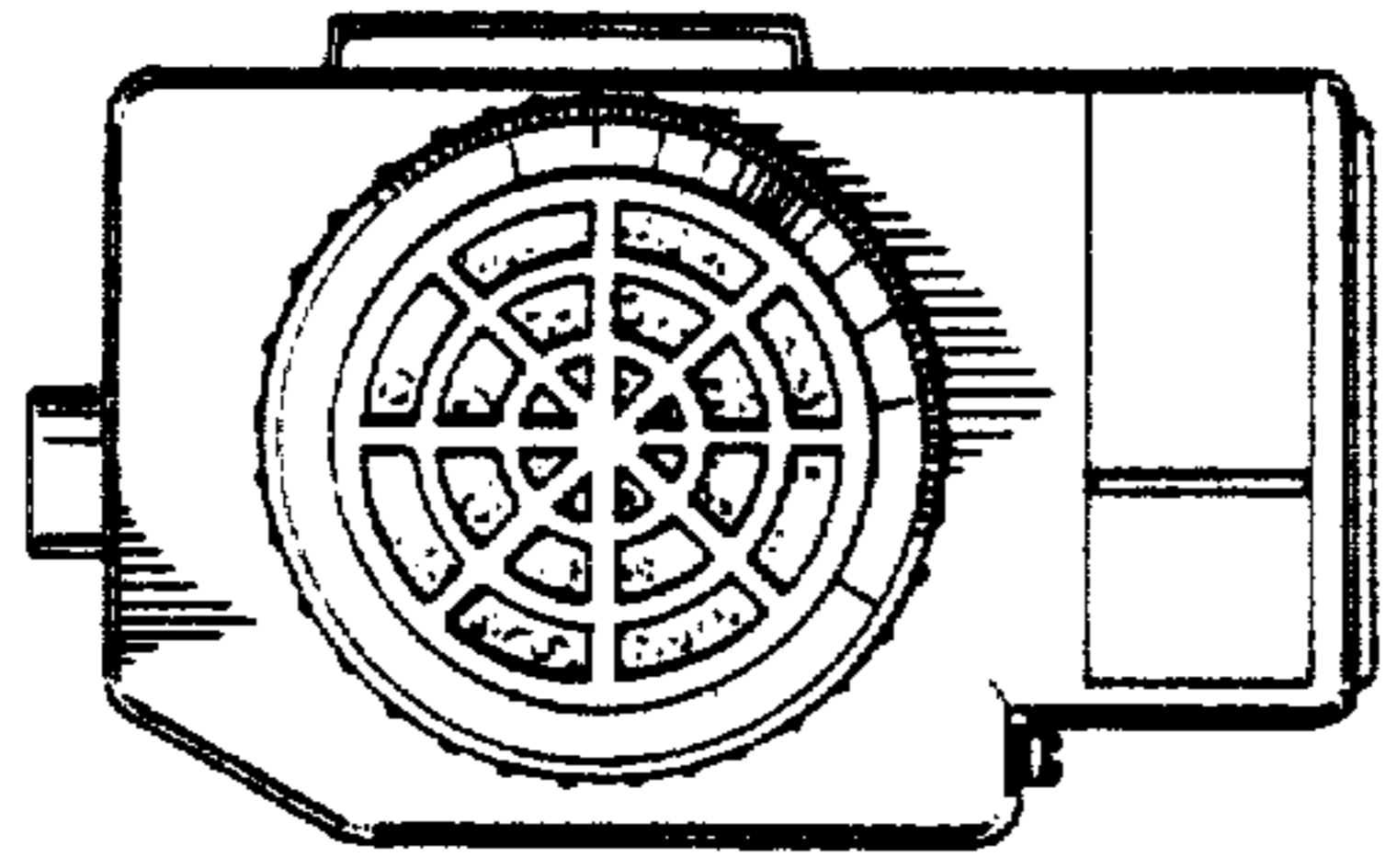


FIG. 6

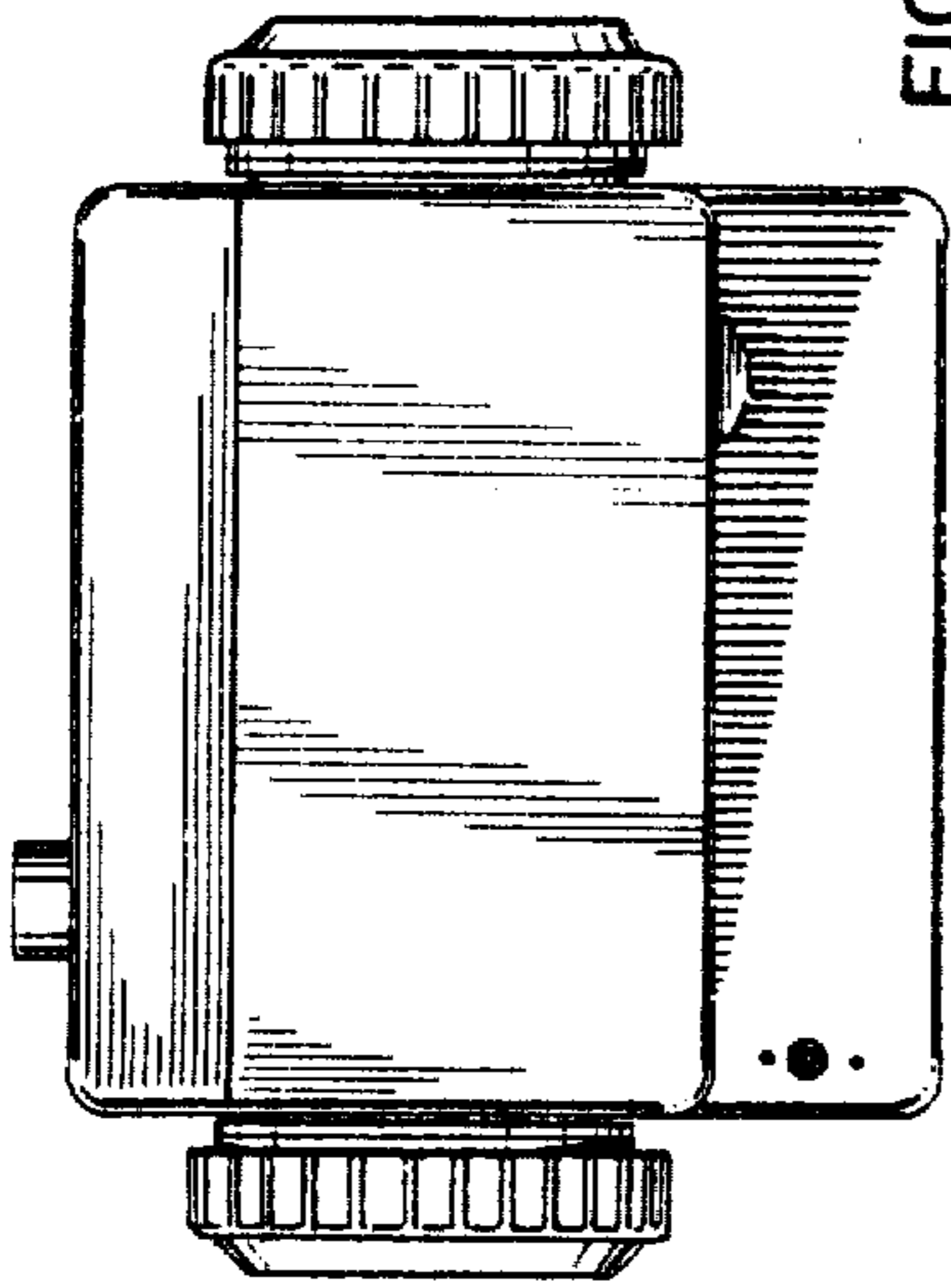


FIG. 4

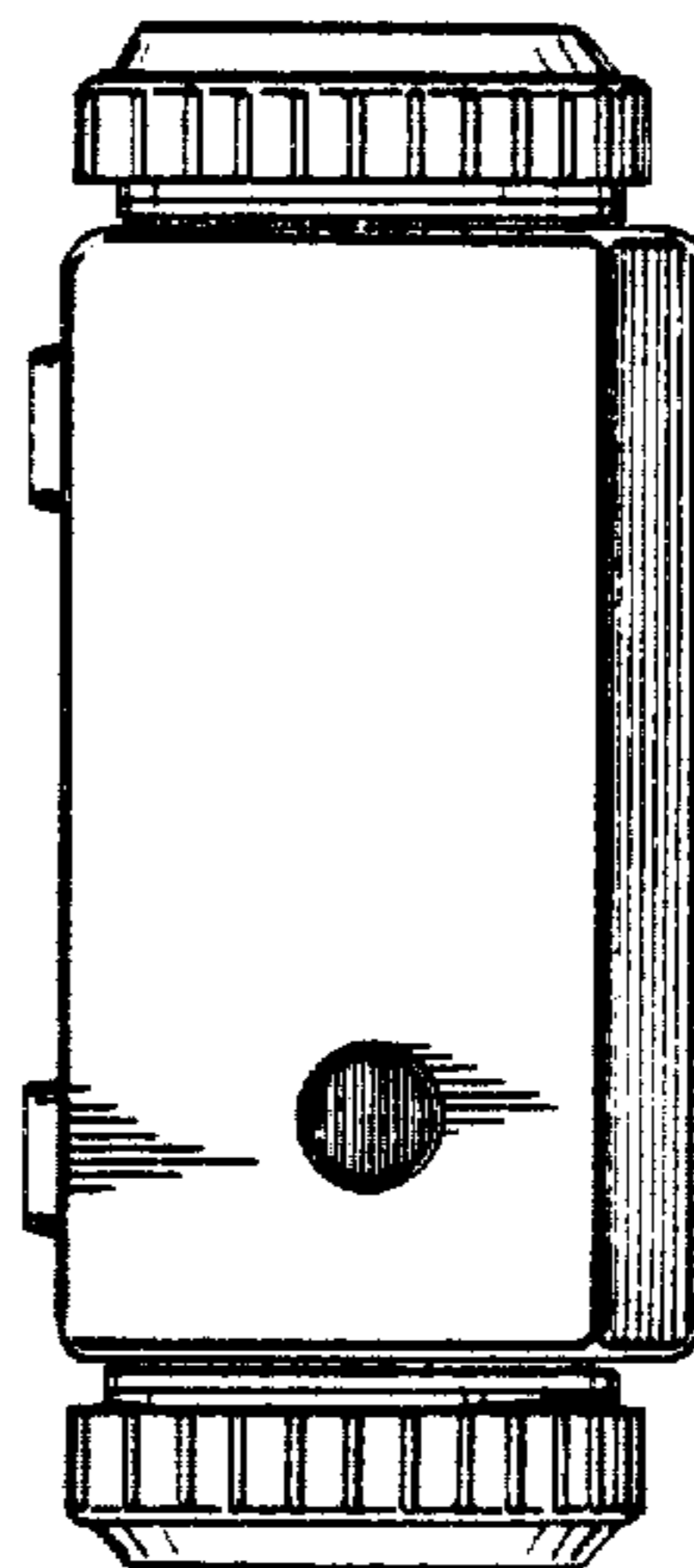


FIG. 5