

[54] CUVETTE HOLDER

[76] Inventor: Sanford L. Simons, 9188 S. Turkey Creek Rd., Morrison, Colo. 80465

[\*\*] Term: 14 Years

[21] Appl. No.: 243,756

[22] Filed: Mar. 16, 1981

[51] Int. Cl. .... D24-02

[52] U.S. Cl. .... D24/99; D24/31; D24/8

[58] Field of Search ..... 422/102, 61, 65, 67; D24/17, 99, 29, 31; 356/246

[56] References Cited

U.S. PATENT DOCUMENTS

D. 257,175	9/1980	Terk	.....	D24/31
D. 260,428	8/1981	Fekete	.....	D24/31
D. 265,124	6/1982	Terk	.....	D24/31
4,195,060	3/1980	Terk	.....	422/102
4,371,498	2/1983	Scordato	.....	422/102

OTHER PUBLICATIONS

Sargent-Welch, Catalog 128, ©1979, p. 1178, Item S-75416-30 A, Spectrophotometer Cell.

Fisher Scientific, 1981, p. 1114, Disposable Plastic Cuvet, Square.

Cole-Parmer, 1979-1980, p. 265, Disposable Cuvette.

Primary Examiner—Bernard Ansher

Attorney, Agent, or Firm—Max L. Wymore

[57] CLAIM

The ornamental design for a cuvette holder, as shown and described.

DESCRIPTION

FIG. 1 is a perspective view of the cuvette holder showing my new design;

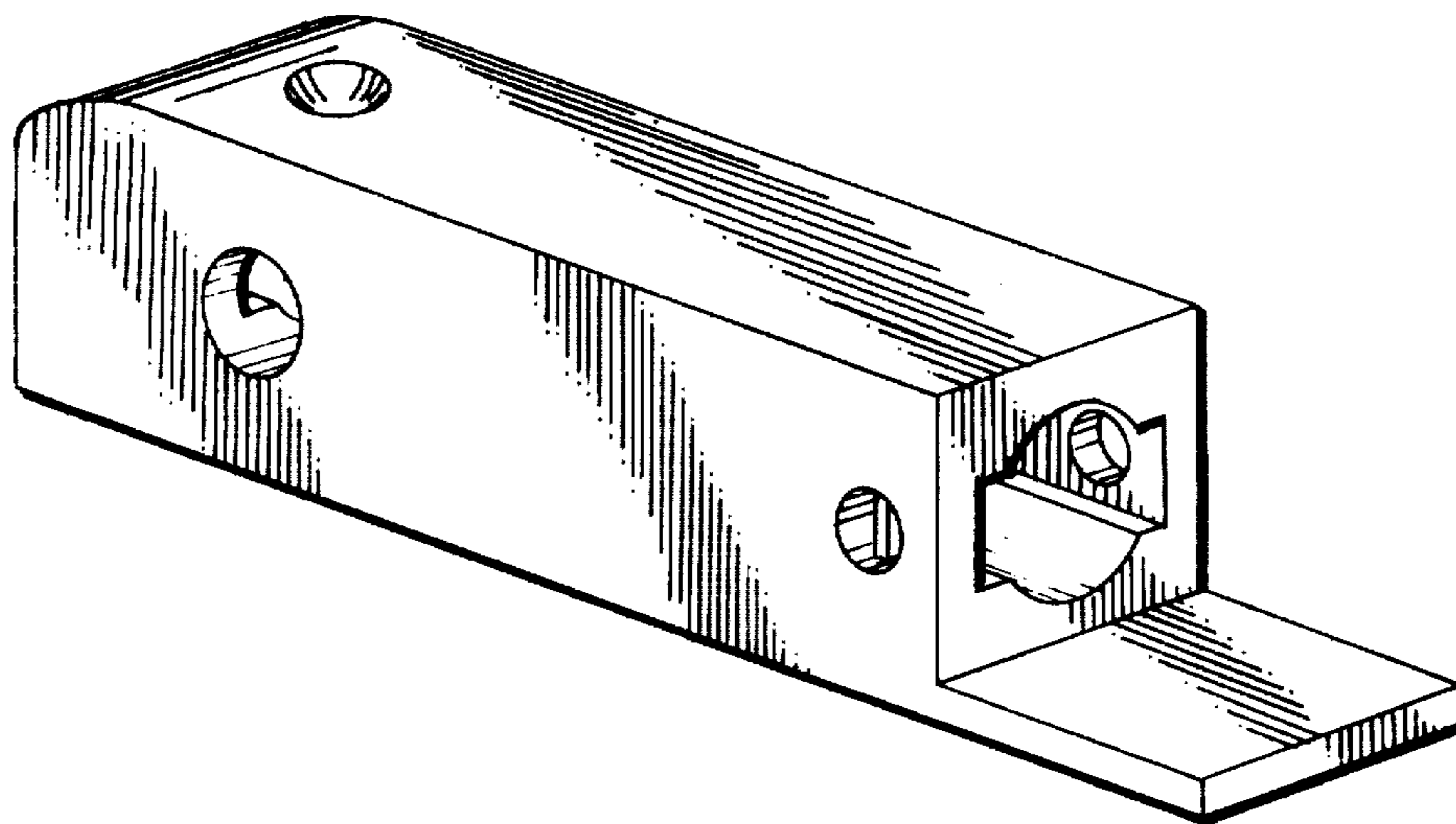
FIG. 2 is a side elevational view thereof, with the opposite side elevational view being a mirror image;

FIG. 3 is a top plan view thereof;

FIG. 4 is a bottom plan view thereof;

FIG. 5 is a lefthand end view thereof; and,

FIG. 6 is a righthand end view thereof.



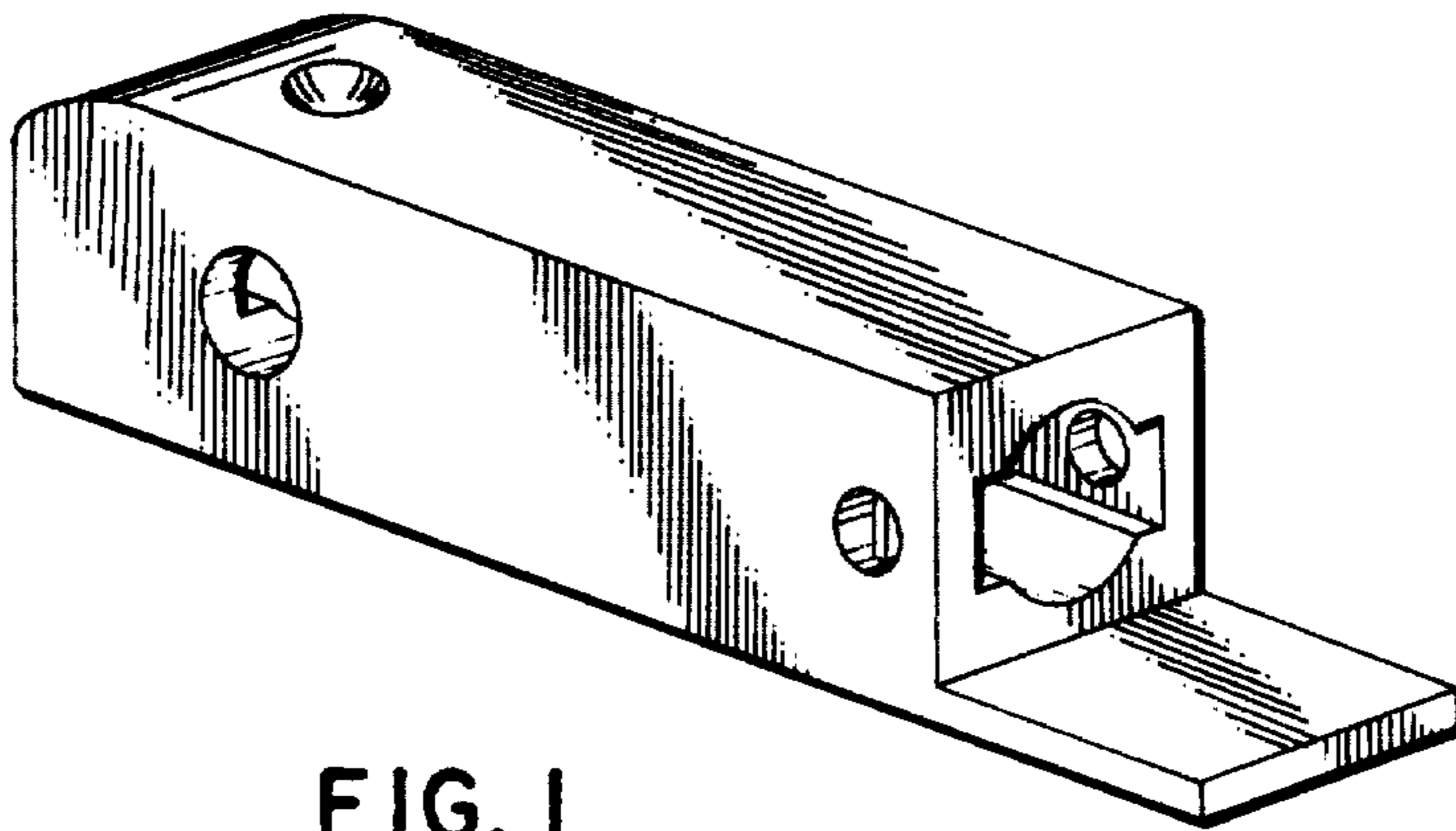


FIG. 1

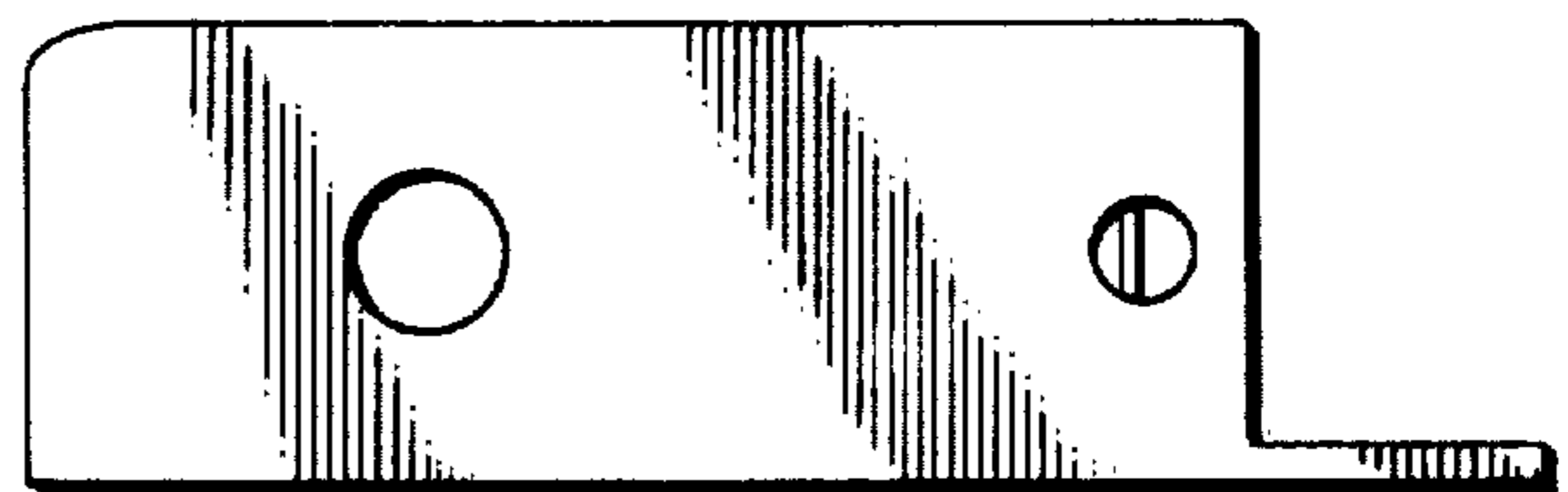


FIG. 2

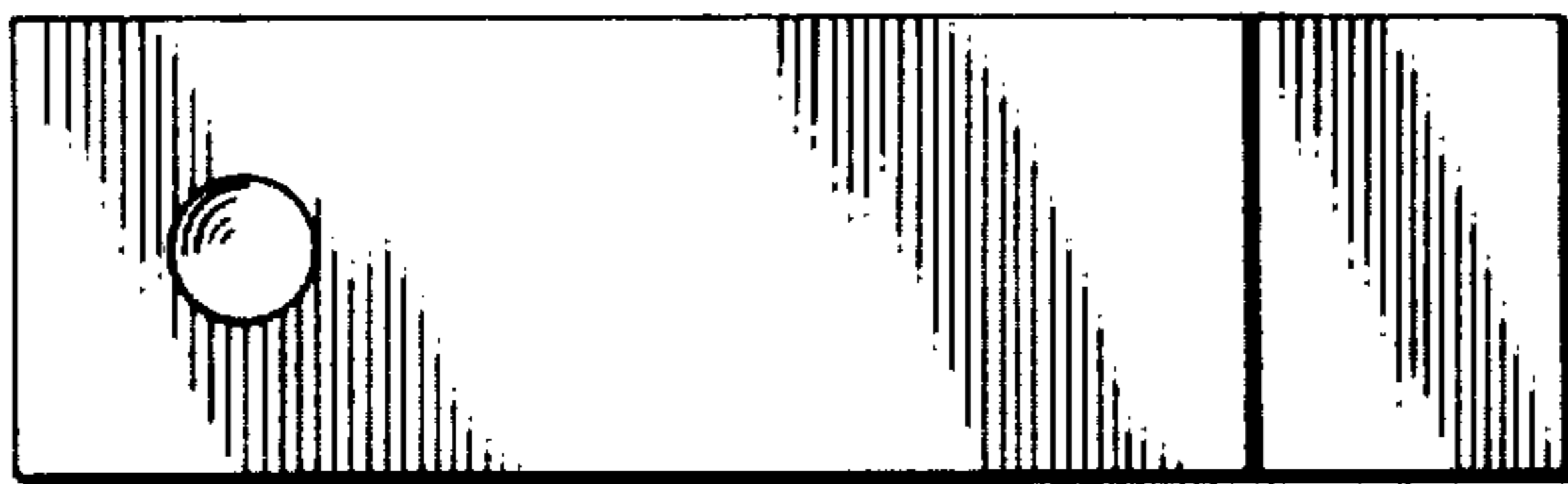


FIG. 3

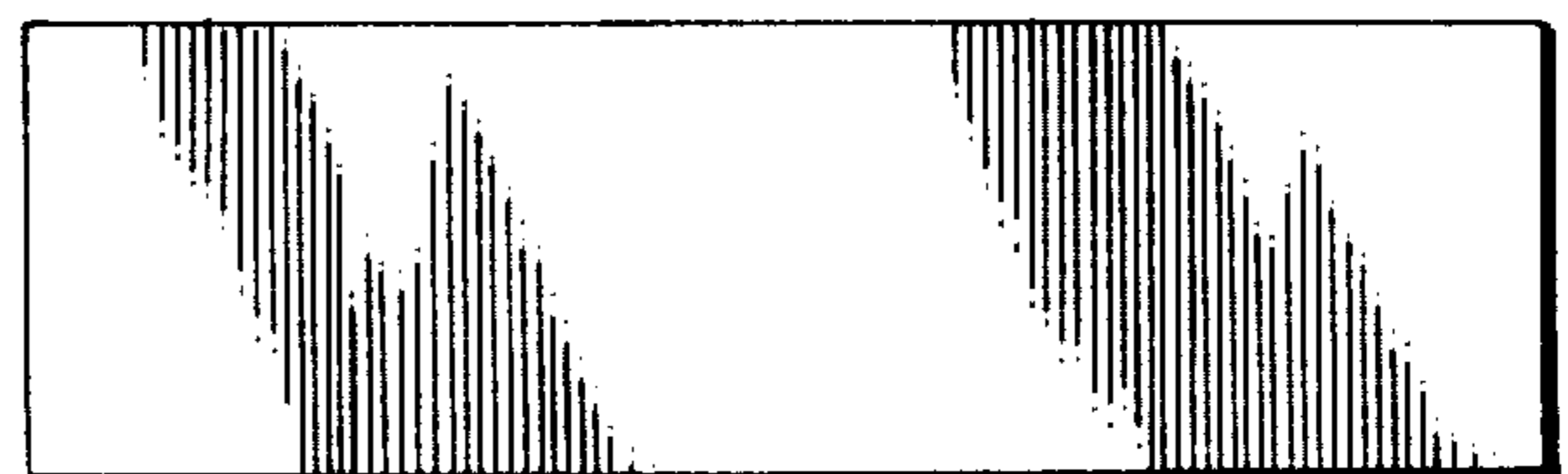


FIG. 4

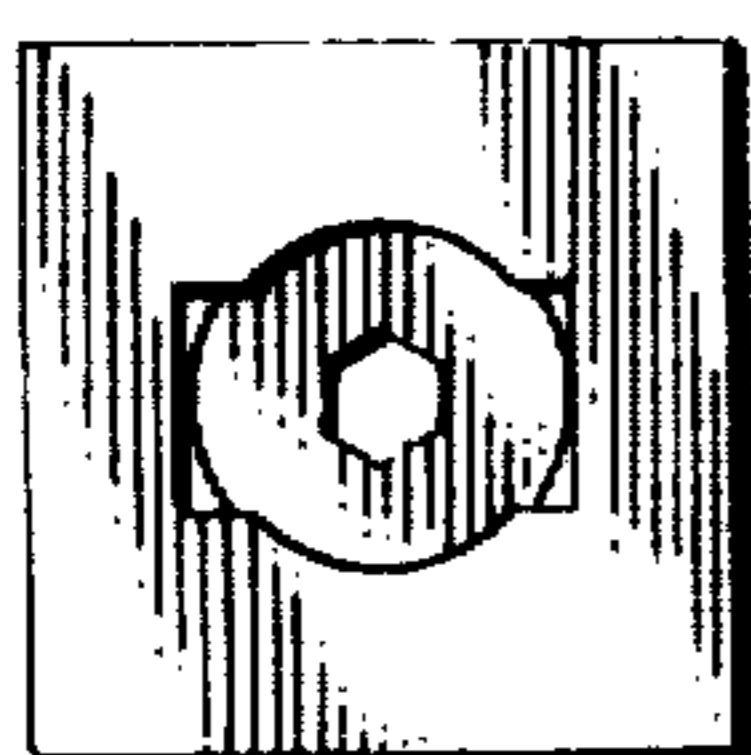


FIG. 5

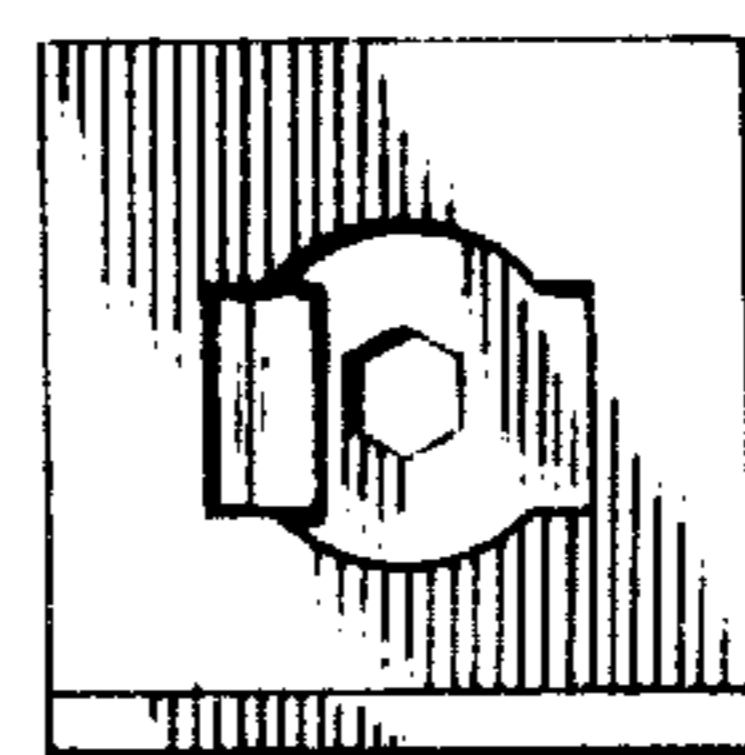


FIG. 6