

[54] **FILTER HOUSING BLANK**

[75] Inventor: **Laurence R. Gedye**, East Doncaster, Australia

[73] Assignee: **L.R. & N.R. Gedye Pty. Ltd.**, Australia

[\*\*] Term: **14 Years**

[21] Appl. No.: **232,716**

[22] Filed: **Feb. 9, 1981**

[30] **Foreign Application Priority Data**

Aug. 7, 1980 [AU] Australia ..... 81732

[51] Int. Cl. .... **D23—01**

[52] U.S. Cl. .... **D23/4**

[58] Field of Search ..... **D23/4, 42, 149; 210/169, 170, 232, 233, 238, 461, 462**

[56]

**References Cited**

**U.S. PATENT DOCUMENTS**

D. 174,482	4/1955	Willinger .....	D23/4
D. 179,692	2/1957	Malis .....	D23/4
D. 219,022	10/1970	Yamazaki .....	D23/4
D. 237,404	10/1975	Trapold .....	D23/4
D. 255,480	6/1980	Zieg .....	D23/4
705,364	7/1902	Kurtz .....	210/170
2,552,493	5/1951	Newton .....	210/170
2,767,801	10/1956	Eads .....	210/170
3,595,398	7/1971	Cook .....	210/462 X
4,107,043	8/1978	McKinney .....	210/462 X
4,204,960	5/1980	Sugiyama et al. ....	210/462 X

*Primary Examiner*—James R. Largen  
*Attorney, Agent, or Firm*—Wigman & Cohen

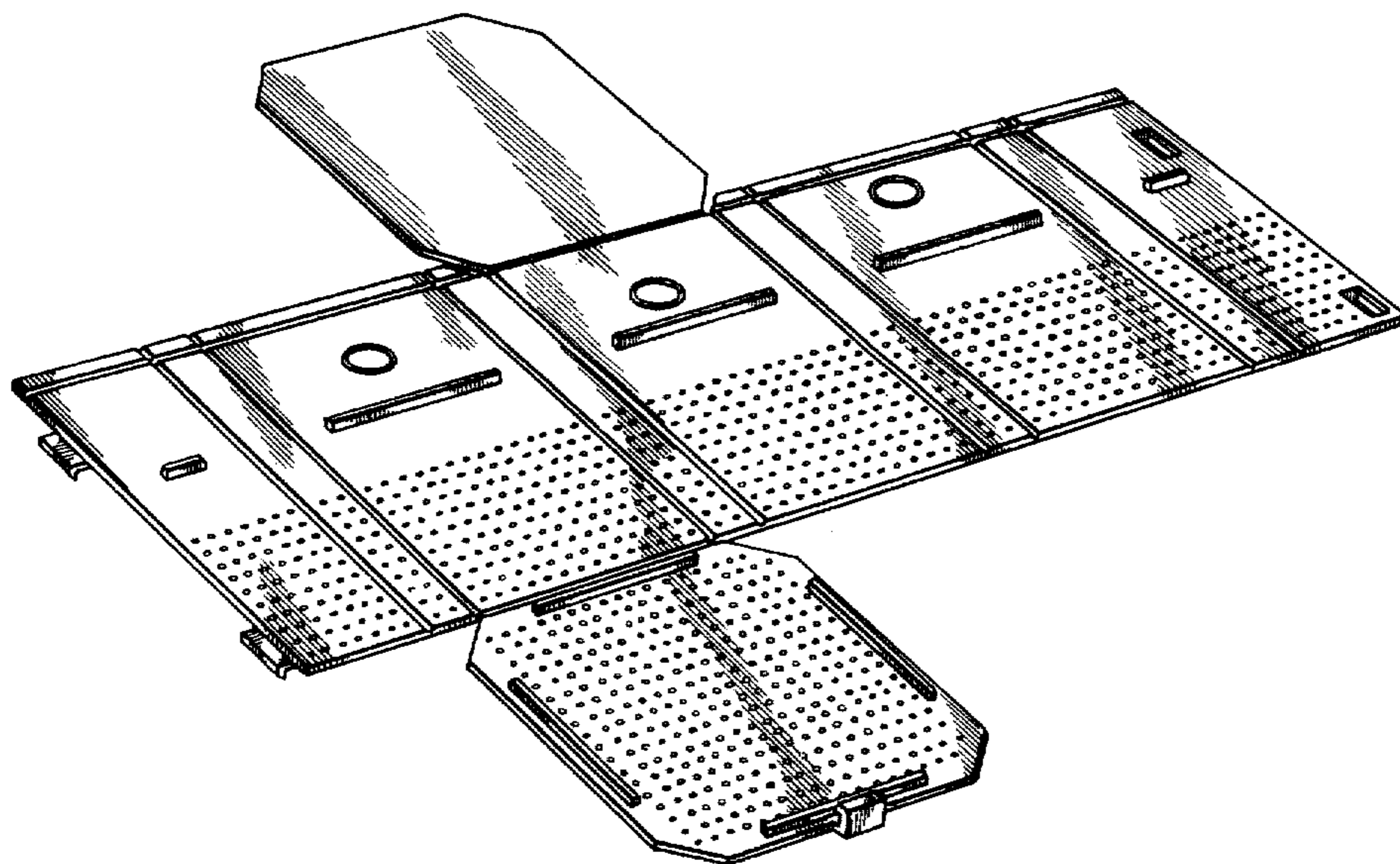
[57]

**CLAIM**

The ornamental design for a filter housing blank, as shown and described.

**DESCRIPTION**

FIG. 1 is a perspective view taken from one side of a filter housing blank showing my new design; and FIG. 2 is a perspective view taken from the side opposite that shown in FIG. 1.



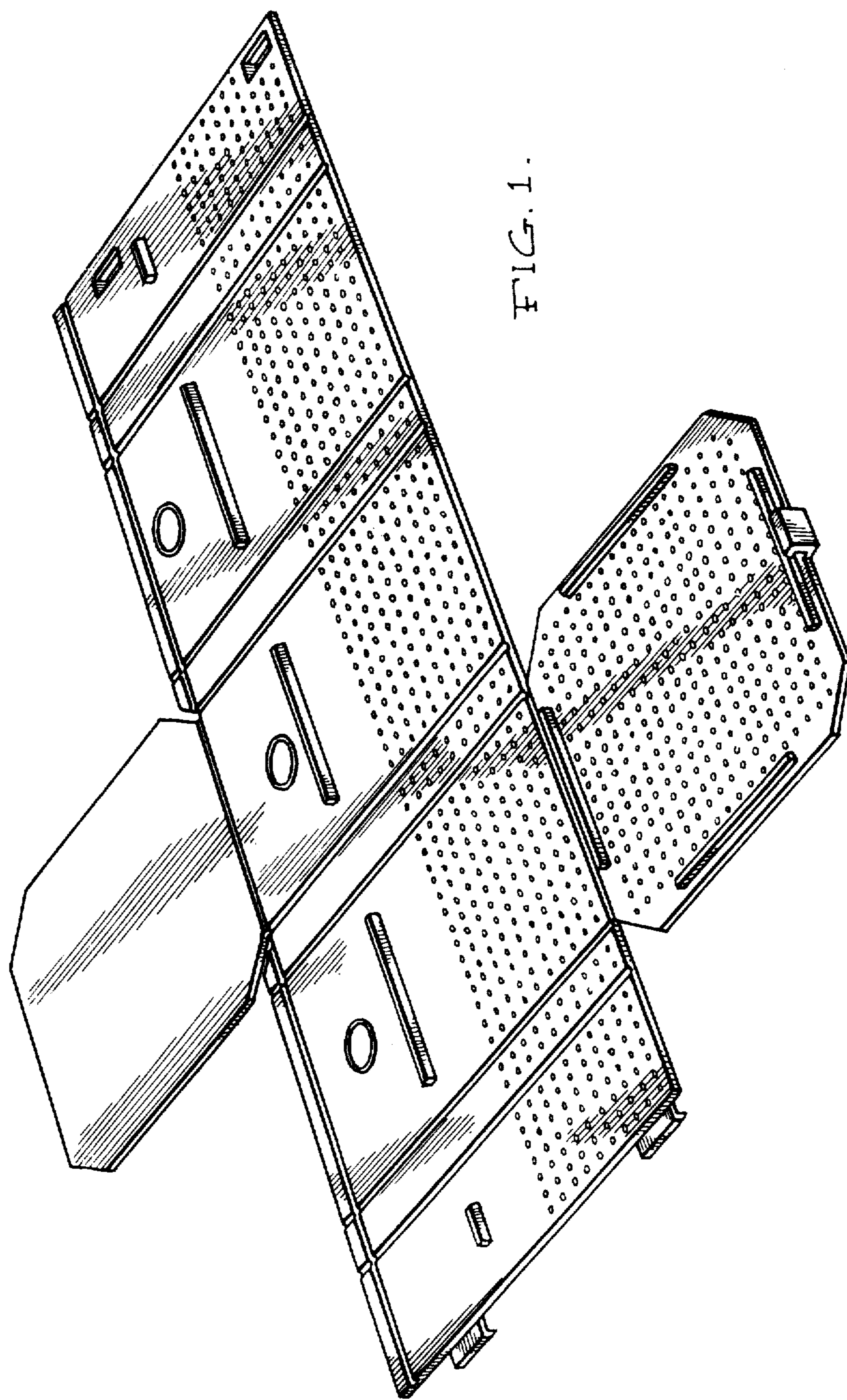


FIG. 1.

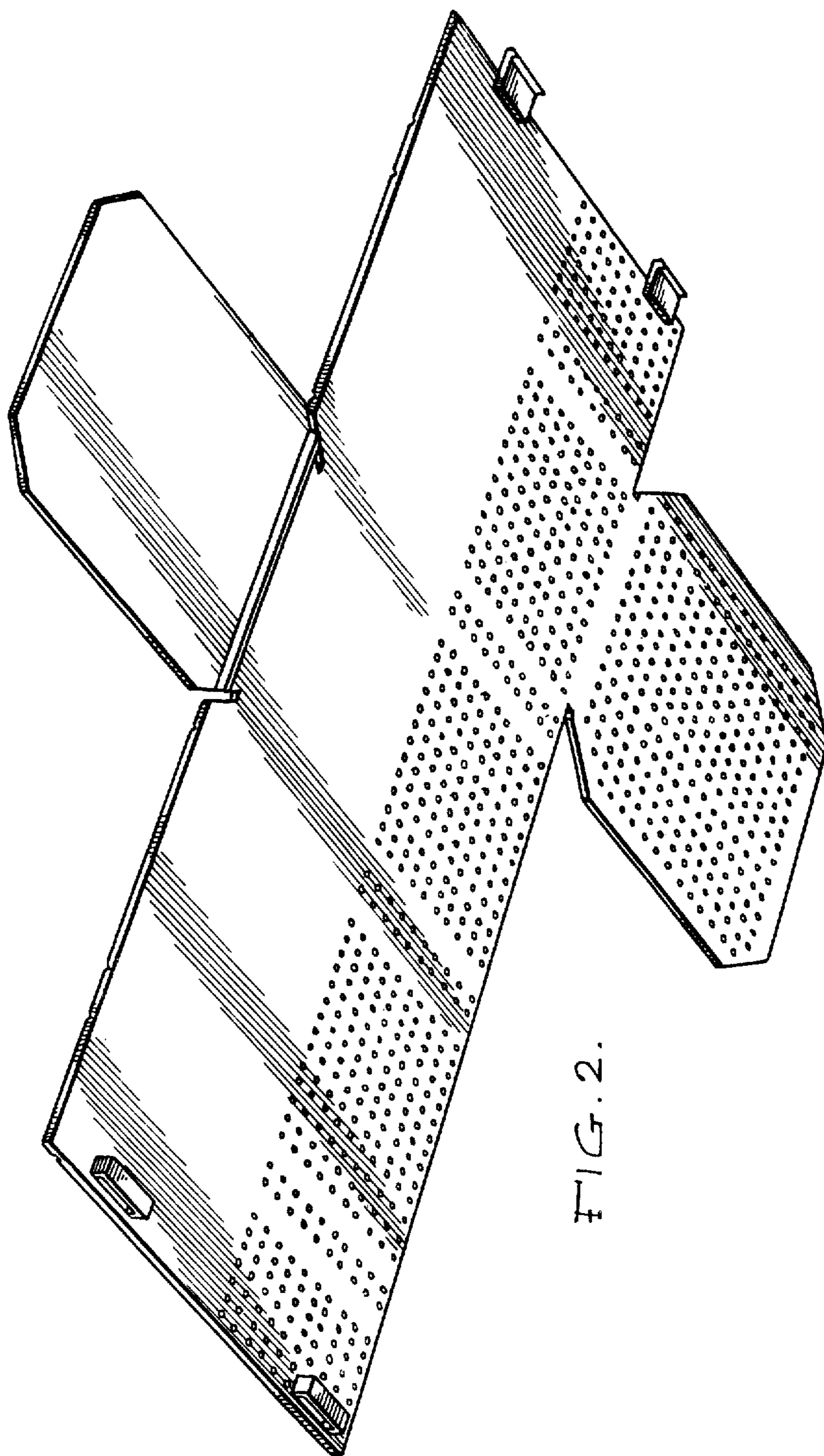


FIG. 2.