

[54] SHOTGUN LOADING DEVICE

[56]

References Cited

U.S. PATENT DOCUMENTS

[76] Inventors: Henry Ciciliot, Lorain Cir., R.D. 1, Box 270-A; Robert Ciciliot, 1335 N. Ott St., both of Allentown, Pa. 18104

D. 26,386	12/1896	Johnson	.....	D22/7
863,789	8/1907	Hodges	.....	269/43
1,241,922	10/1917	Chappell	.....	42/49 R
1,874,408	8/1932	Zichy	.....	42/87
3,564,747	2/1971	Orozco	.....	42/50 X

[\*\*] Term: 14 Years

Primary Examiner—A. Hugo Word  
Attorney, Agent, or Firm—Harpman & Harpman

[21] Appl. No.: 295,217

[57] CLAIM

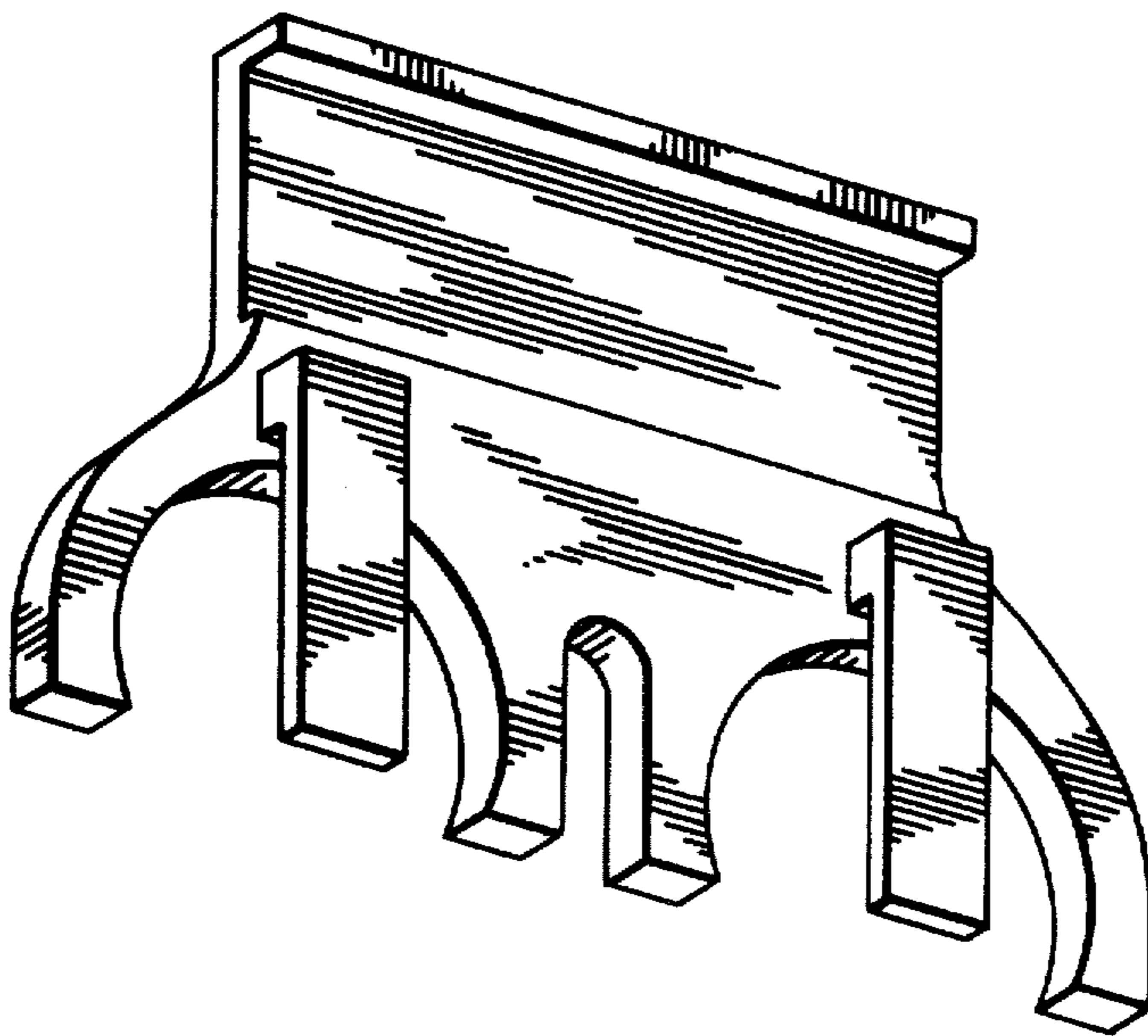
[22] Filed: Aug. 21, 1981

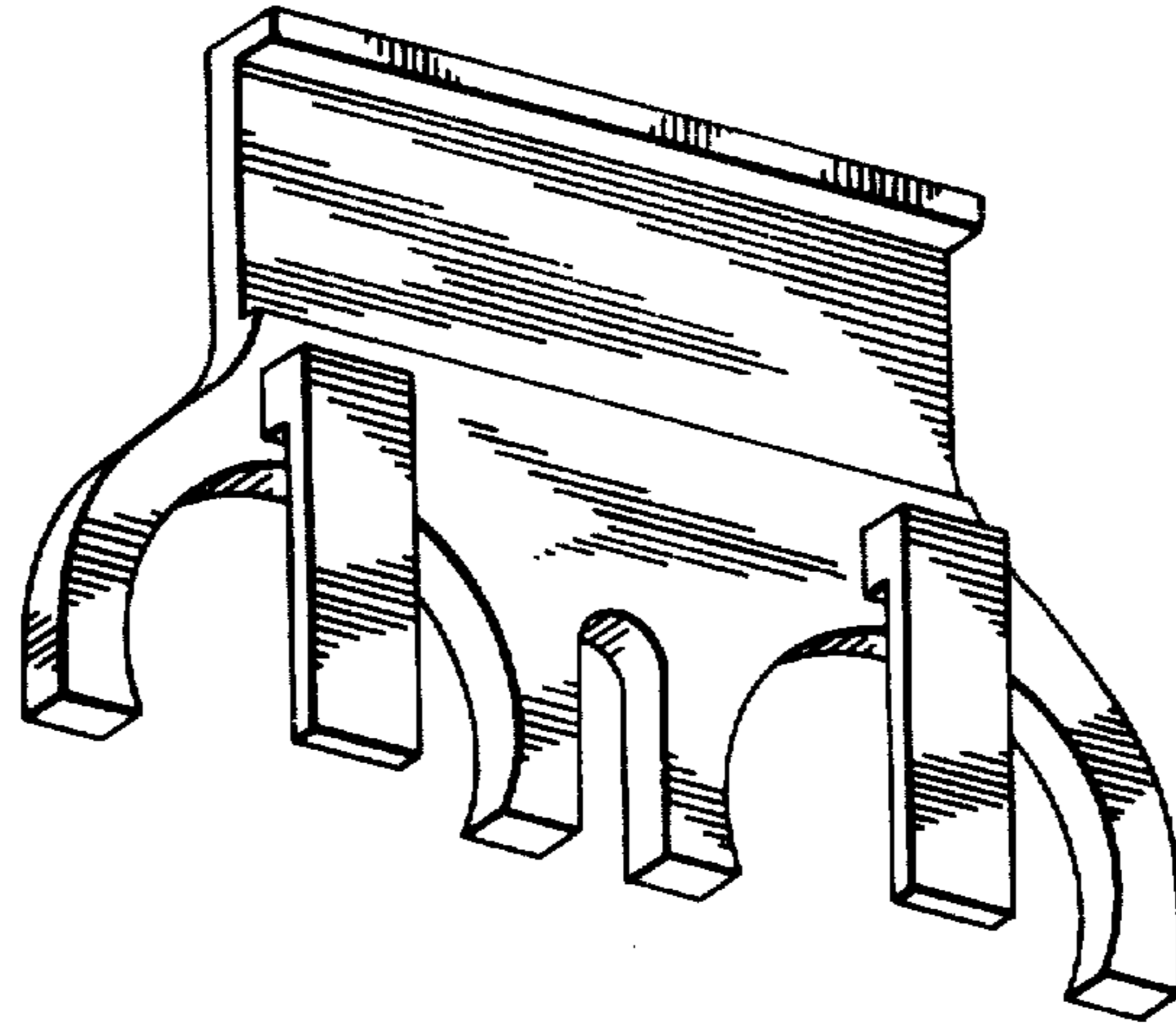
The ornamental design for a shotgun loading device, as shown and described.

DESCRIPTION

[51] Int. Cl. .... D22—01  
 [52] U.S. Cl. .... D22/7  
 [58] Field of Search ..... 42/50, 49 R, 6, 17,  
 42/18, 87; D22/7; 269/43, 90

FIG. 1 is a perspective view of the shotgun loading device showing our new design; FIG. 2 is a back elevational view thereof; and FIG. 3 is an end elevation thereof.

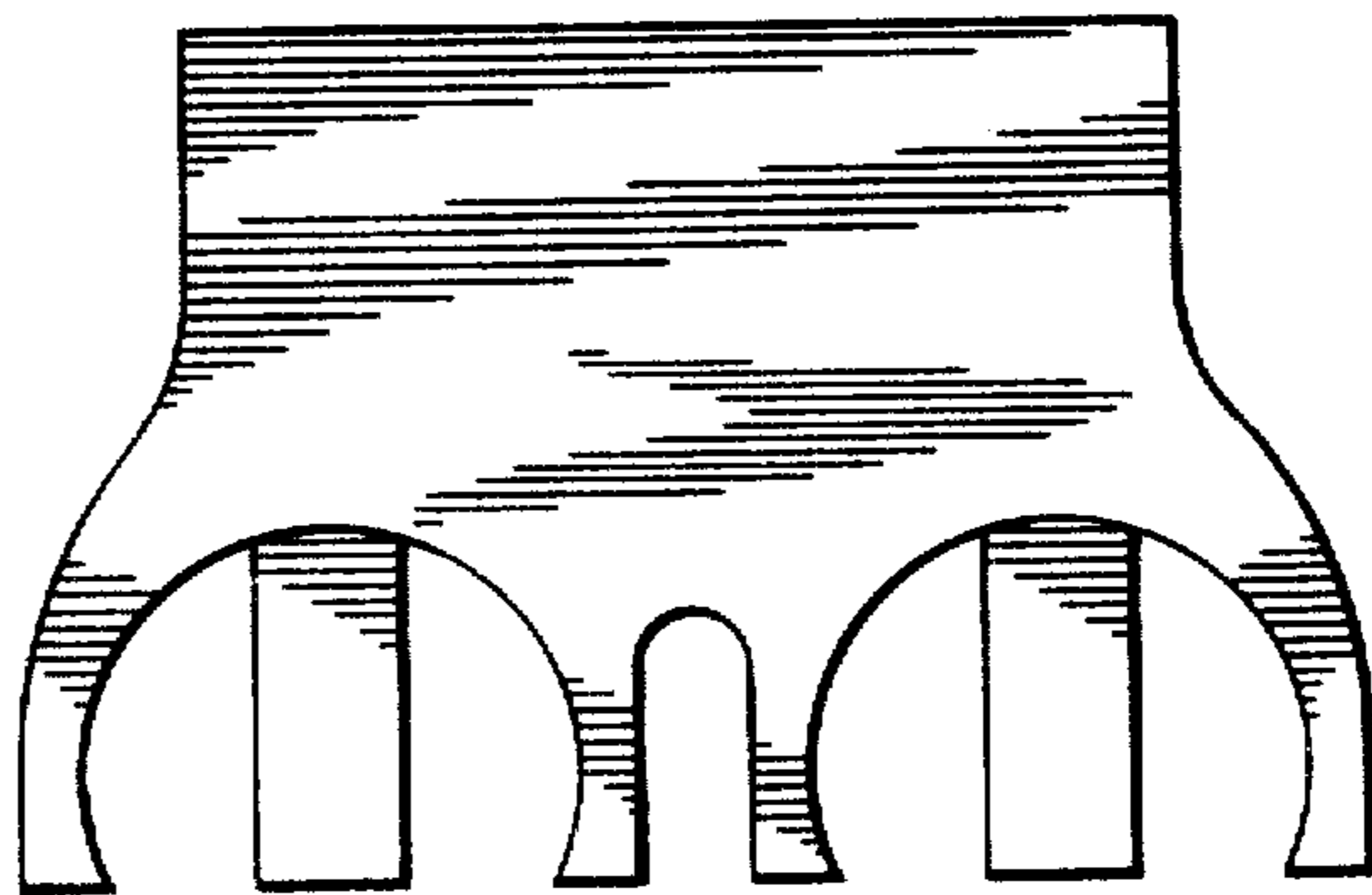




*FIG. 1*



*FIG. 3*



*FIG. 2*