

[54] VIDEO GAME CONTROLLER

[75] Inventor: William J. Renteria, San Jose, Calif.

[73] Assignee: Atari, Inc., Sunnyvale, Calif.

[**] Term: 14 Years

[21] Appl. No.: 337,883

[22] Filed: Jan. 7, 1982

[51] Int. Cl. D21-01

[52] U.S. Cl. D21/48; D21/1;
D21/13

[58] Field of Search D21/13, 1, 48; D13/12,
D13/32; 273/DIG. 28, 1 E, 1 ES, 85 G, 237;
200/6 A, 5 A

[56] References Cited

PUBLICATIONS

Hong Kong Toys, 1980, p. 54, Controller.

Radio Shack Pamphlet, Nov. 8, 1981, top right, Controller, lower right.

J C Penney Xmas Cat., 1979, p. 463, Atari Ultra Pong, Controllers.

Best Products, 1980/81, p. 339, Atari Video Game, Controllers at right.

Primary Examiner—Melvin B. Feifer

Attorney, Agent, or Firm—Townsend and Townsend

[57] CLAIM

The ornamental design for a video game controller, as shown and described.

DESCRIPTION

FIG. 1 is a perspective view of a video game controller showing my new design;

FIG. 2 is a top plan view;

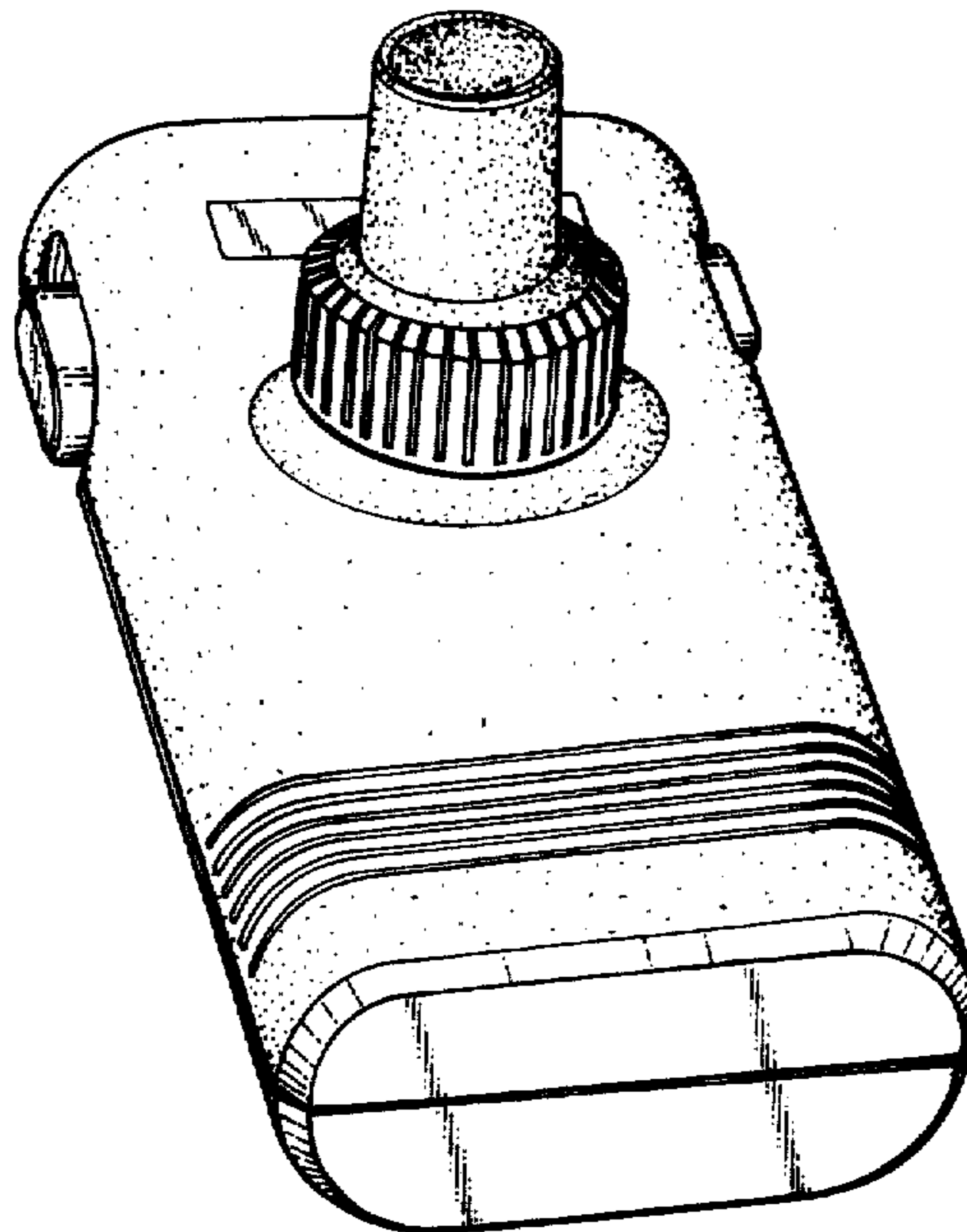
FIG. 3 is a front elevational view;

FIG. 4 is a right elevational view;

FIG. 5 is a rear elevational view;

FIG. 6 is a left elevational view; and

FIG. 7 is a bottom plan view.



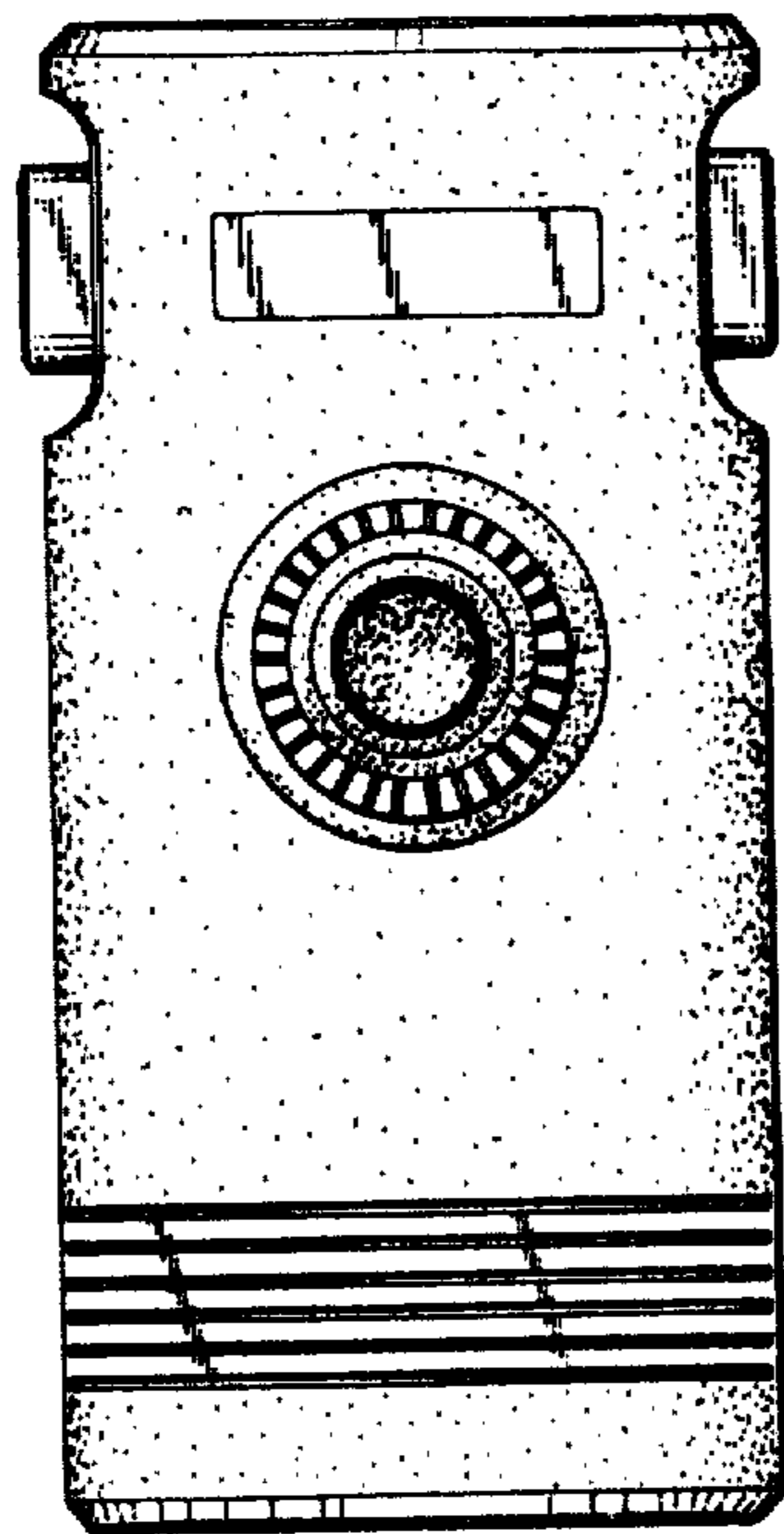


FIG. 2.

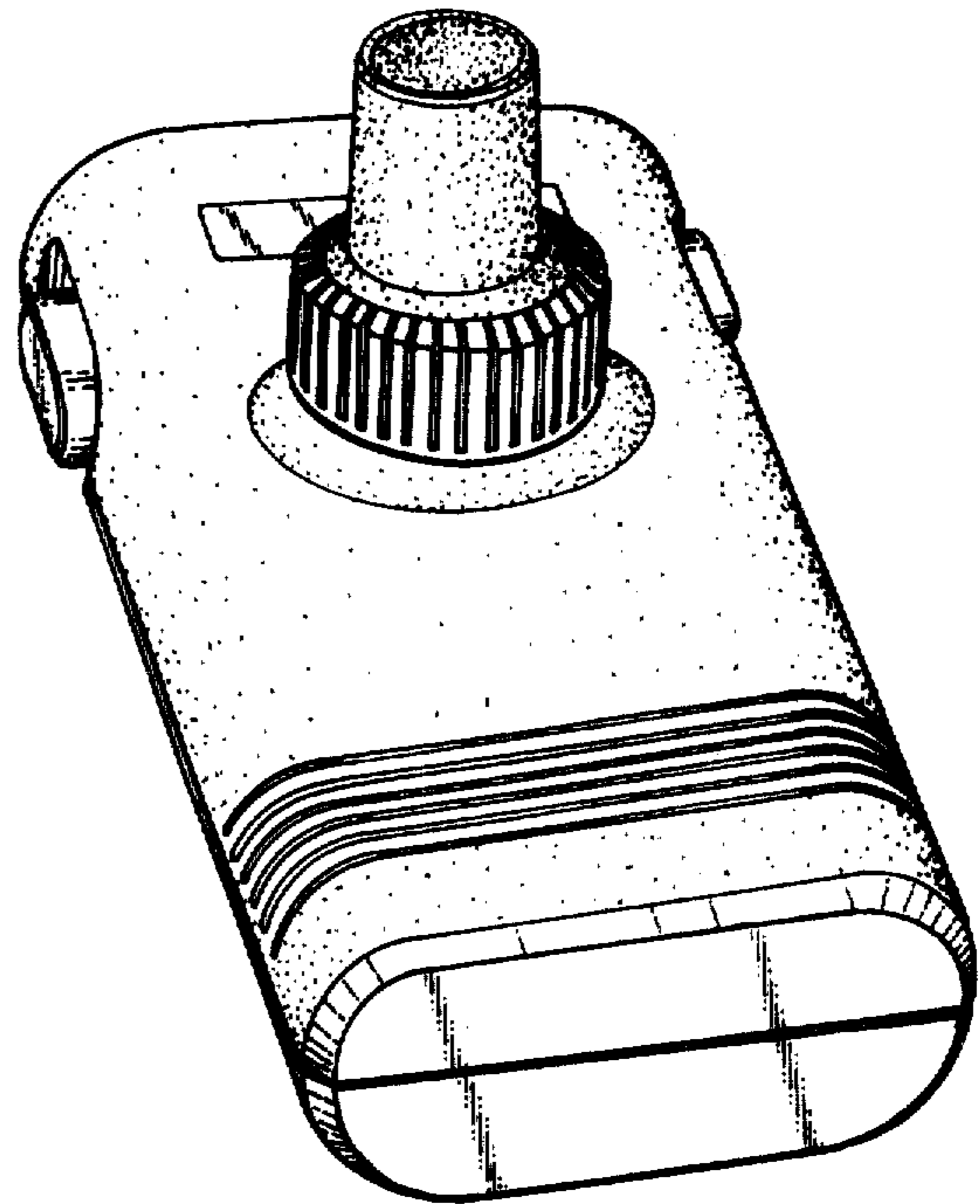


FIG. 1.

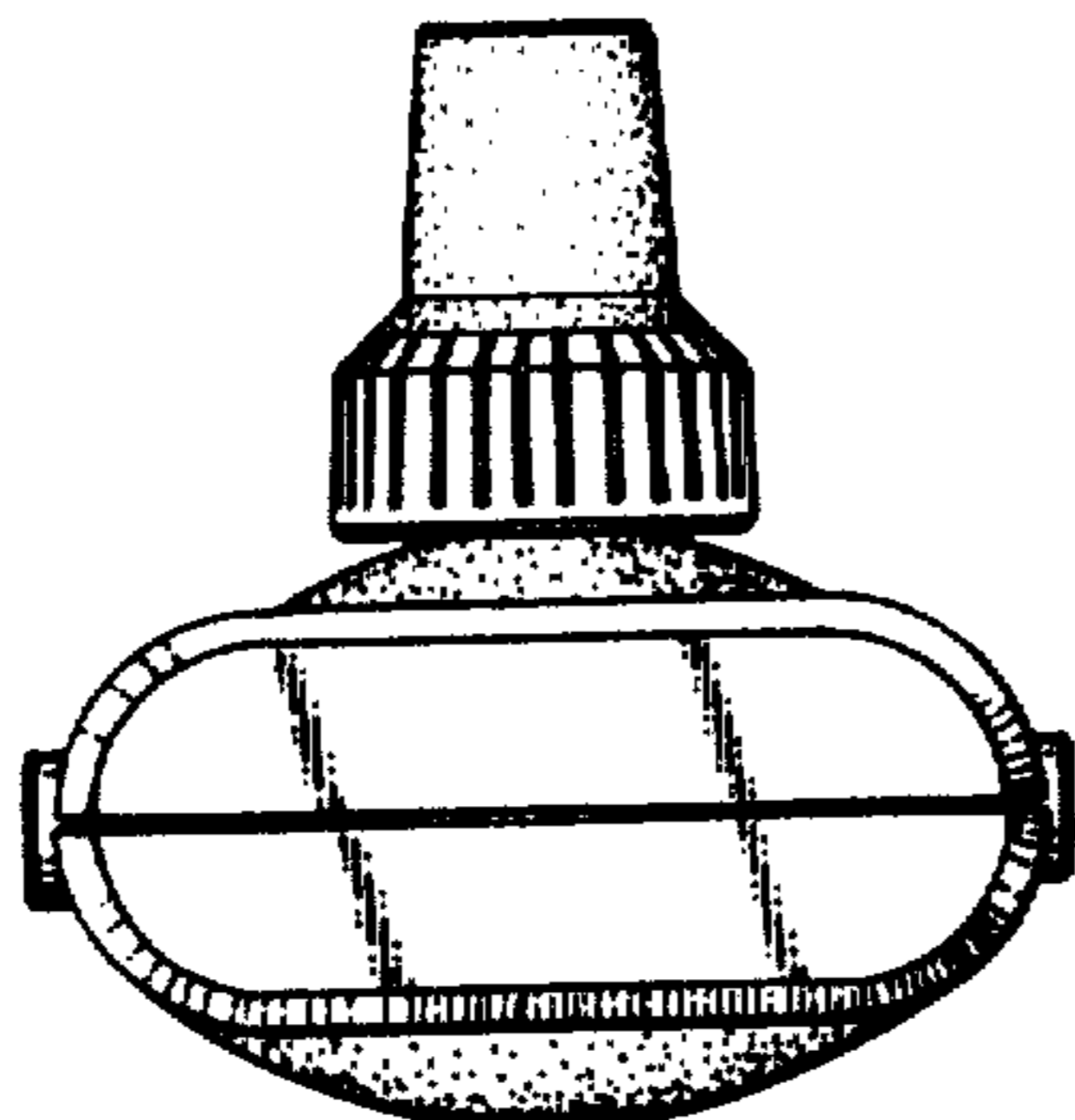


FIG. 3.

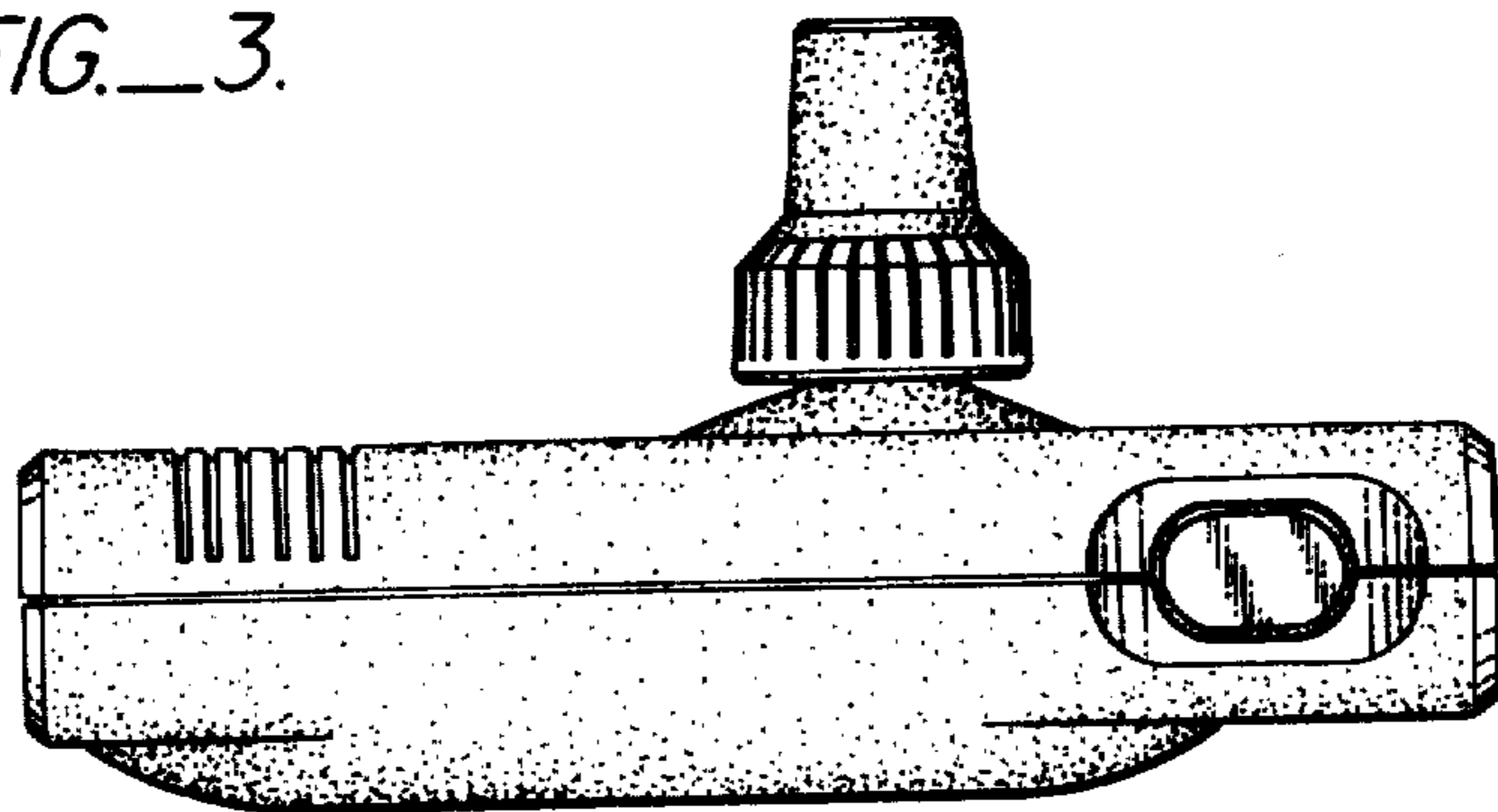


FIG. 4.

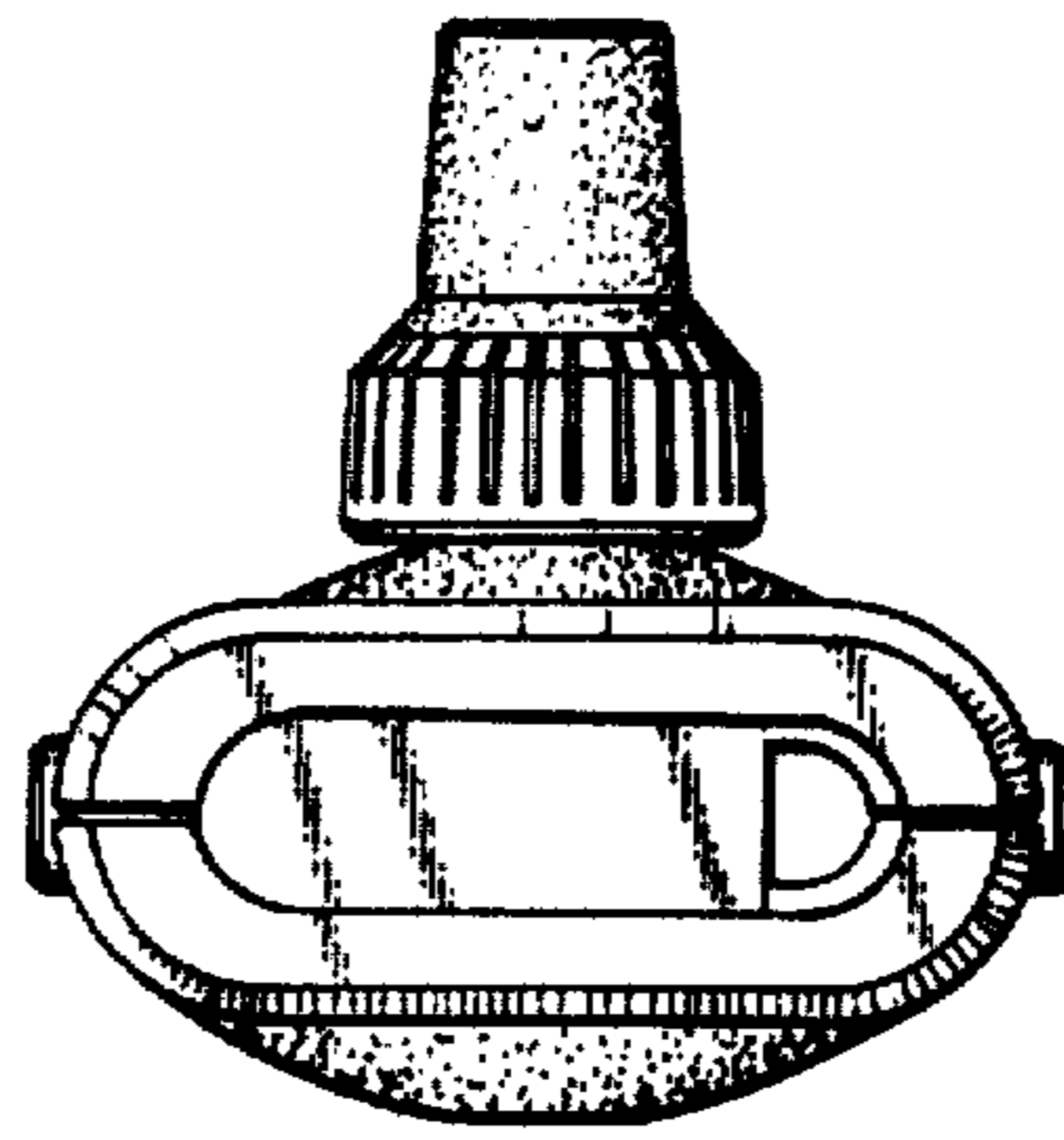


FIG. 5.

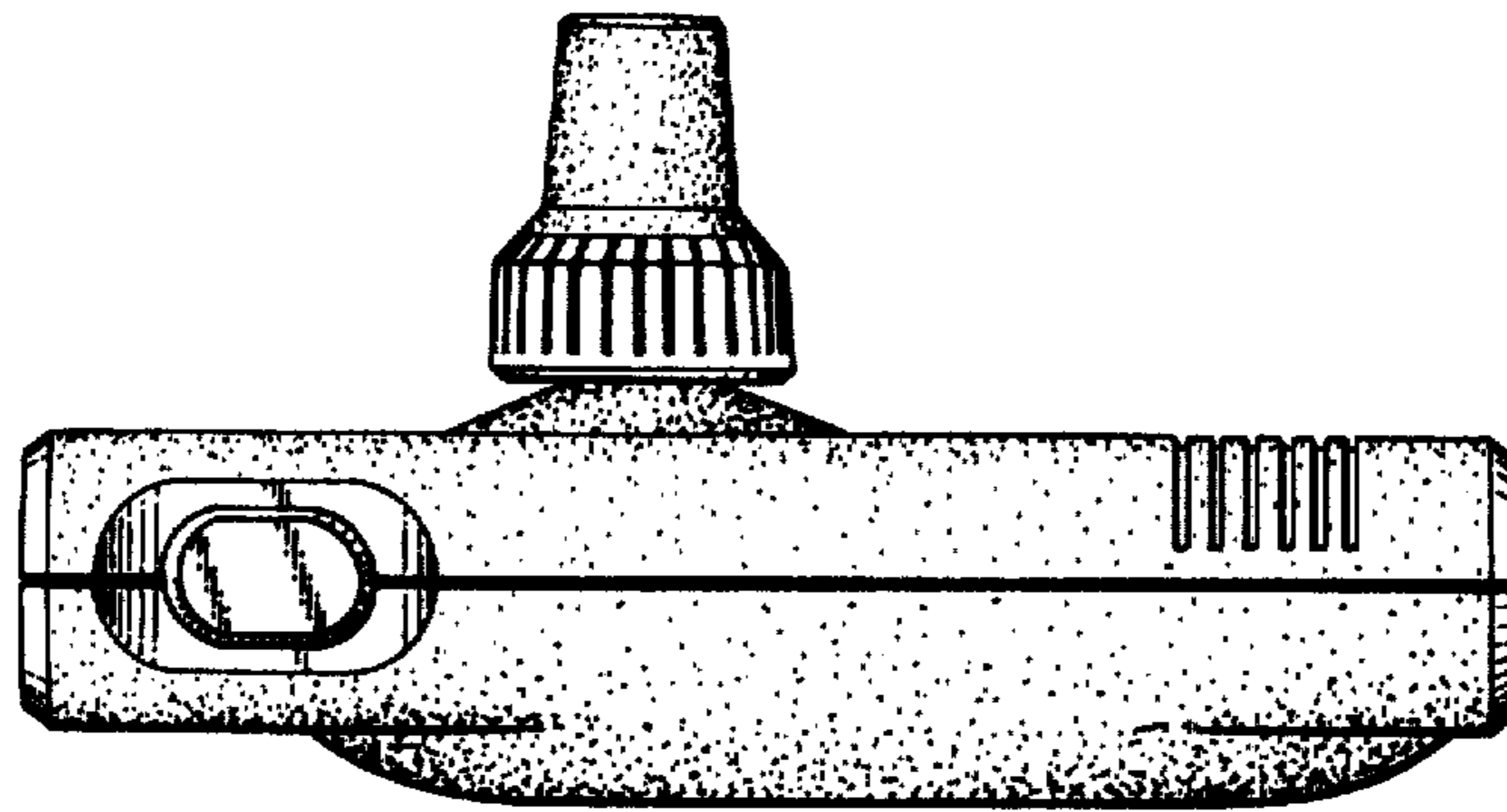


FIG. 6.

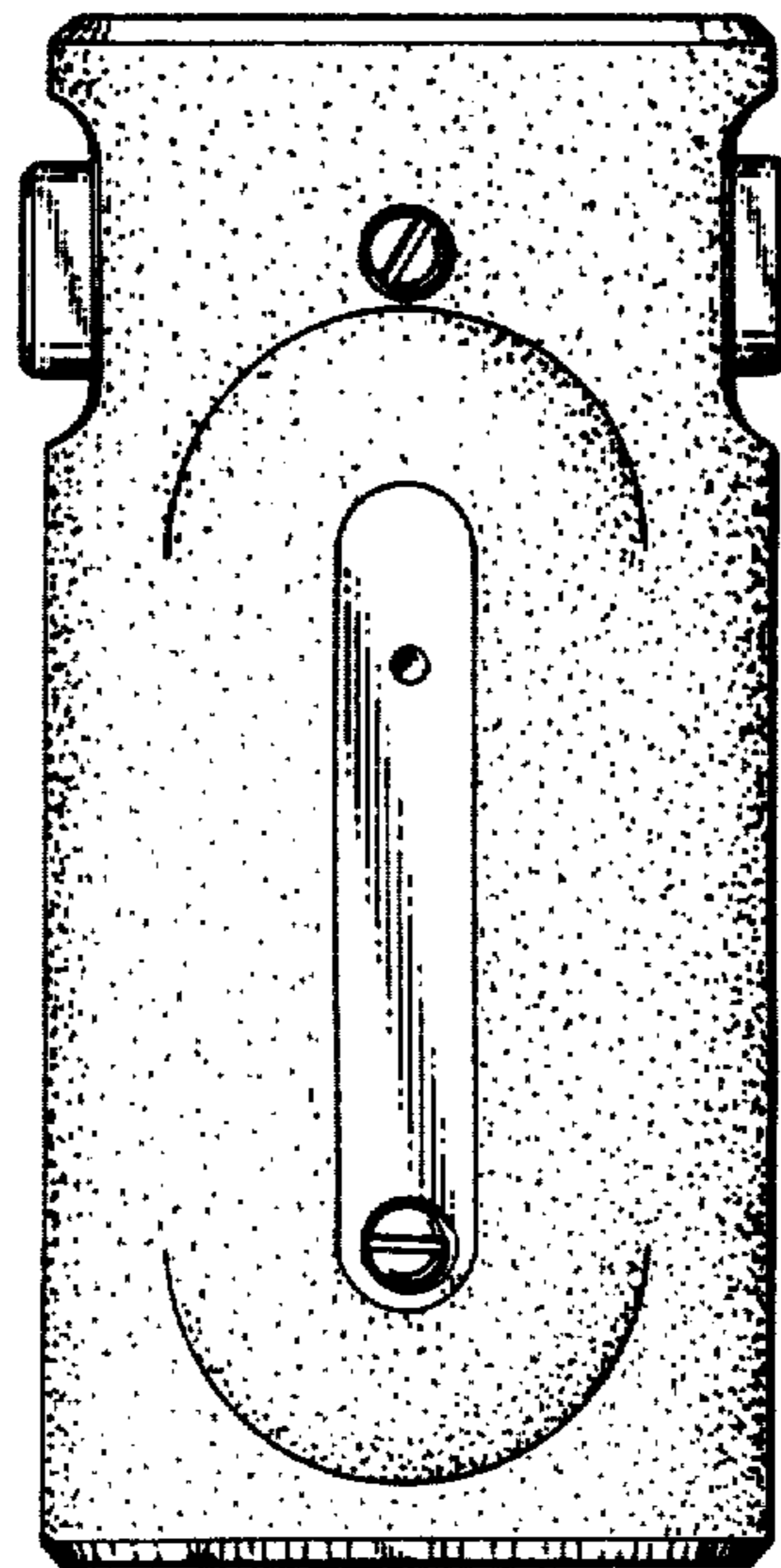


FIG. 7.