

[54] RIBBON CARTRIDGE OR THE LIKE

[75] Inventors: Daniel Canning, Dublin; Vito Viola, San Leandro; James B. Jordan, Berkeley, all of Calif.

[73] Assignee: Oume Corporation, San Jose, Calif.

[\*\*] Term: 14 Years

[21] Appl. No.: 129,271

[22] Filed: Mar. 10, 1980

[51] Int. Cl. .... D18-01

[52] U.S. Cl. .... D18/12

[58] Field of Search ..... D18/12, 18, 22; D14/11; 400/196, 196.1, 207-208.1; 242/55.19 A, 194, 197-200

[56] References Cited

U.S. PATENT DOCUMENTS

3,877,561	4/1975	Guerrini .....	400/208
4,071,132	1/1978	Steinke et al. ....	400/196

OTHER PUBLICATIONS

The Office Mag. 5/79, p. 22, Item "A" top left.

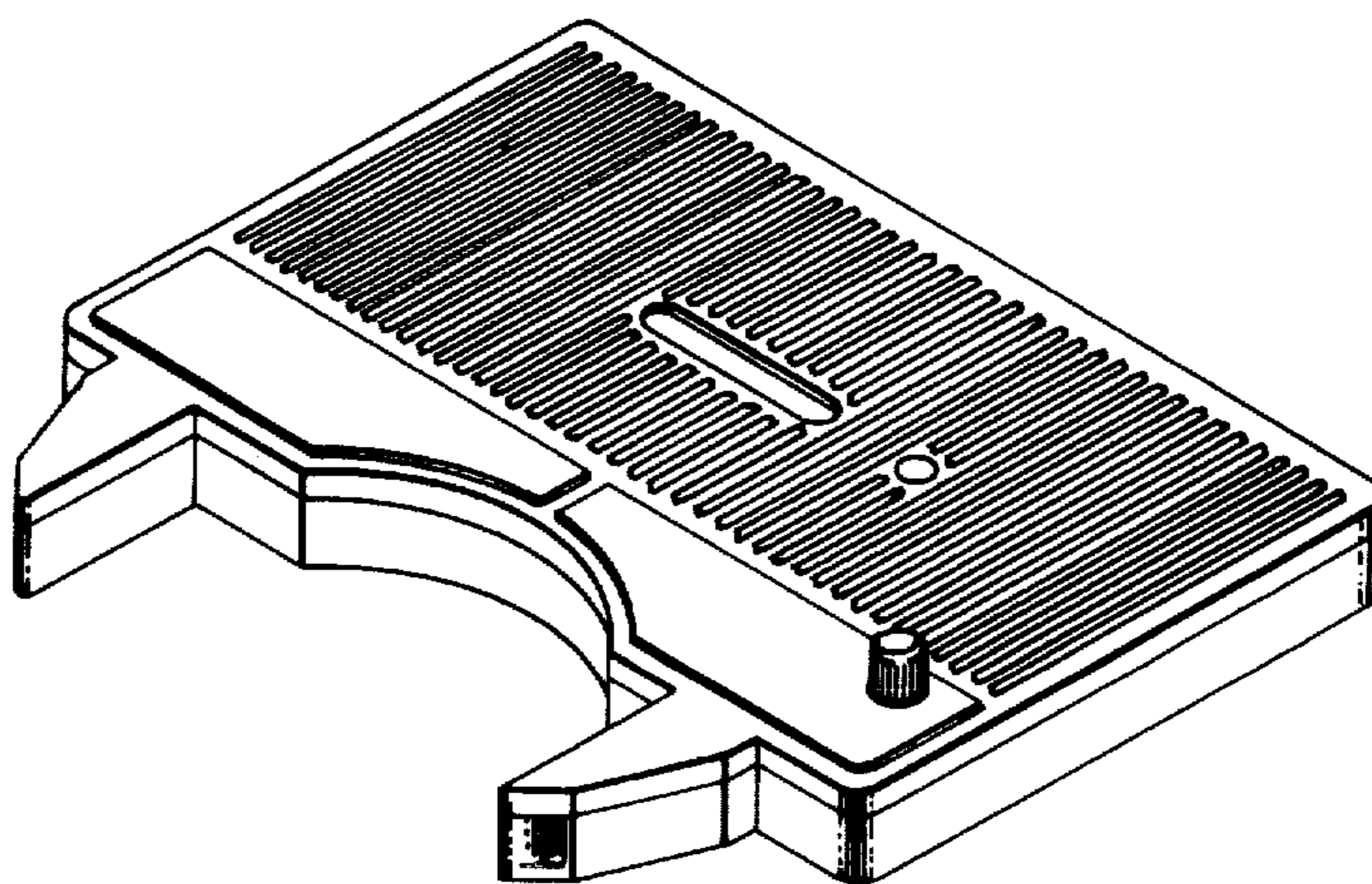
Primary Examiner—George P. Word  
Attorney, Agent, or Firm—T. E. Kristofferson; J. M. May; A. D. Stolzy

[57] CLAIM

The ornamental design for a ribbon cartridge or the like, substantially as shown and described.

DESCRIPTION

FIG. 1 is a perspective view of a ribbon cartridge showing our new design;  
FIG. 2 is an enlarged scale front elevational view thereof;  
FIG. 3 is a rear elevational view thereof;  
FIG. 4 is a left side elevational view thereof;  
FIG. 5 is a right side elevational view thereof;  
FIG. 6 is a bottom plan view thereof;  
FIG. 7 is a top plan view thereof; and  
FIG. 8 is a front elevational view of an alternate embodiment of the ribbon cartridge.



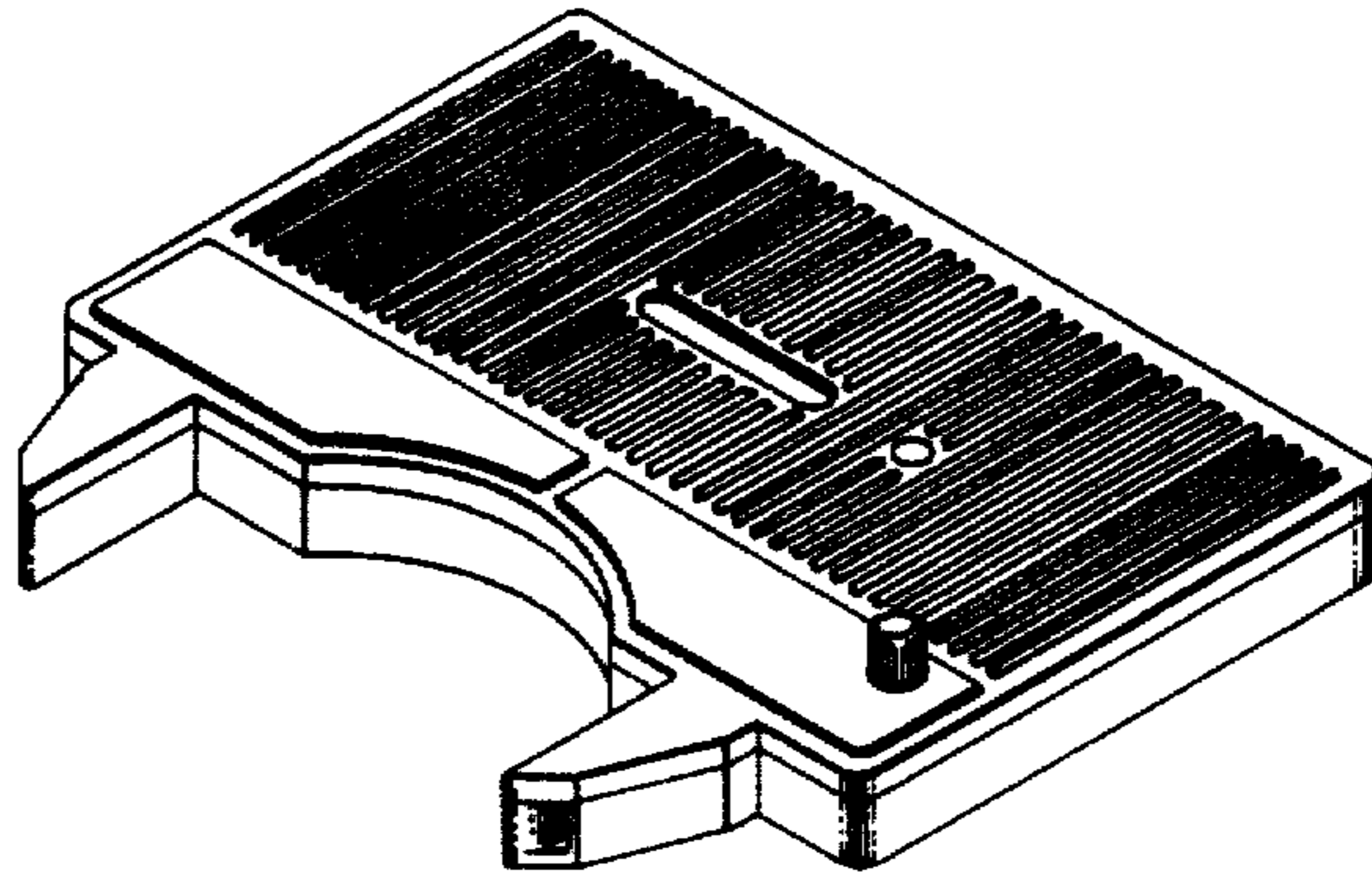


FIG. 1

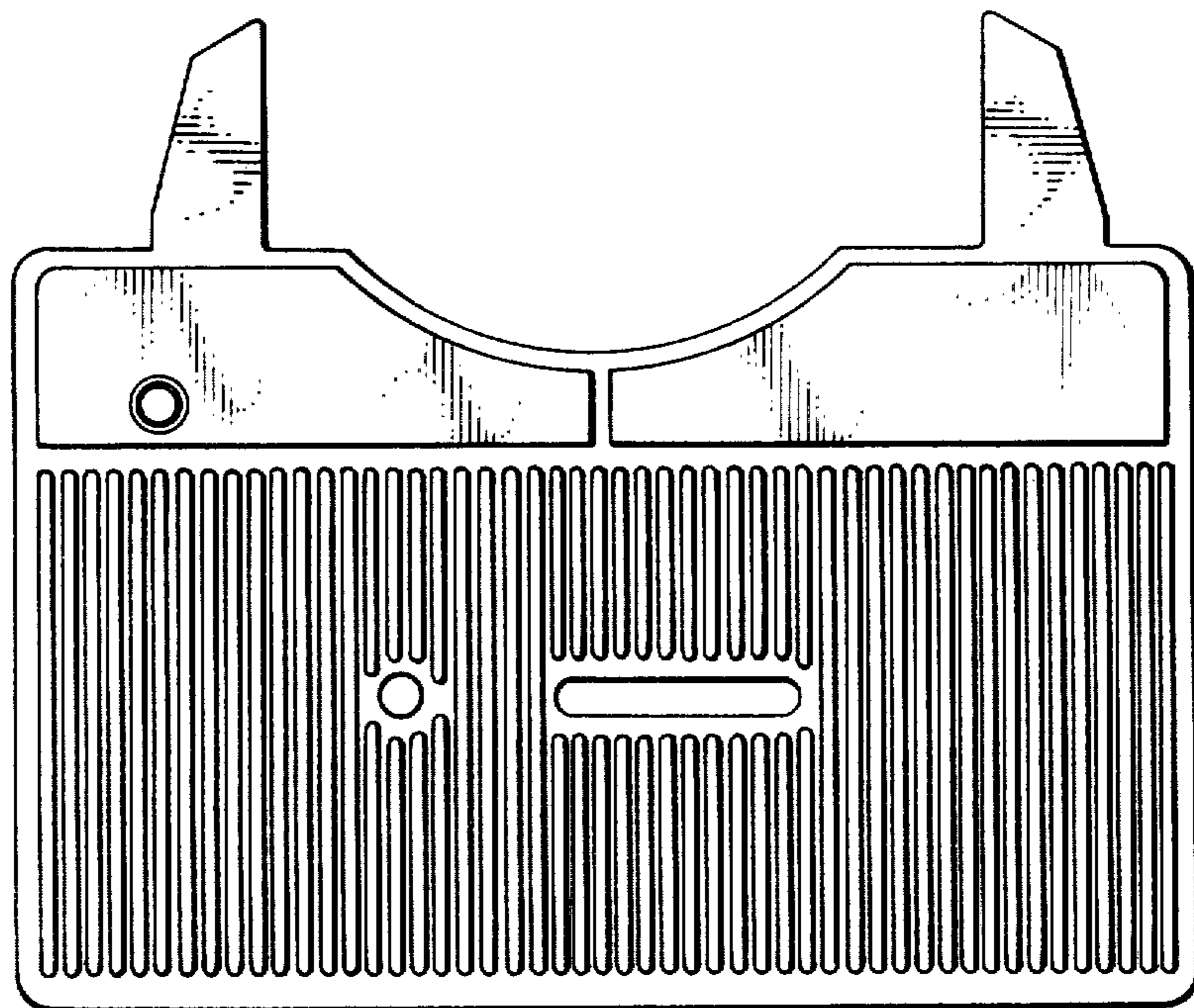


FIG. 2

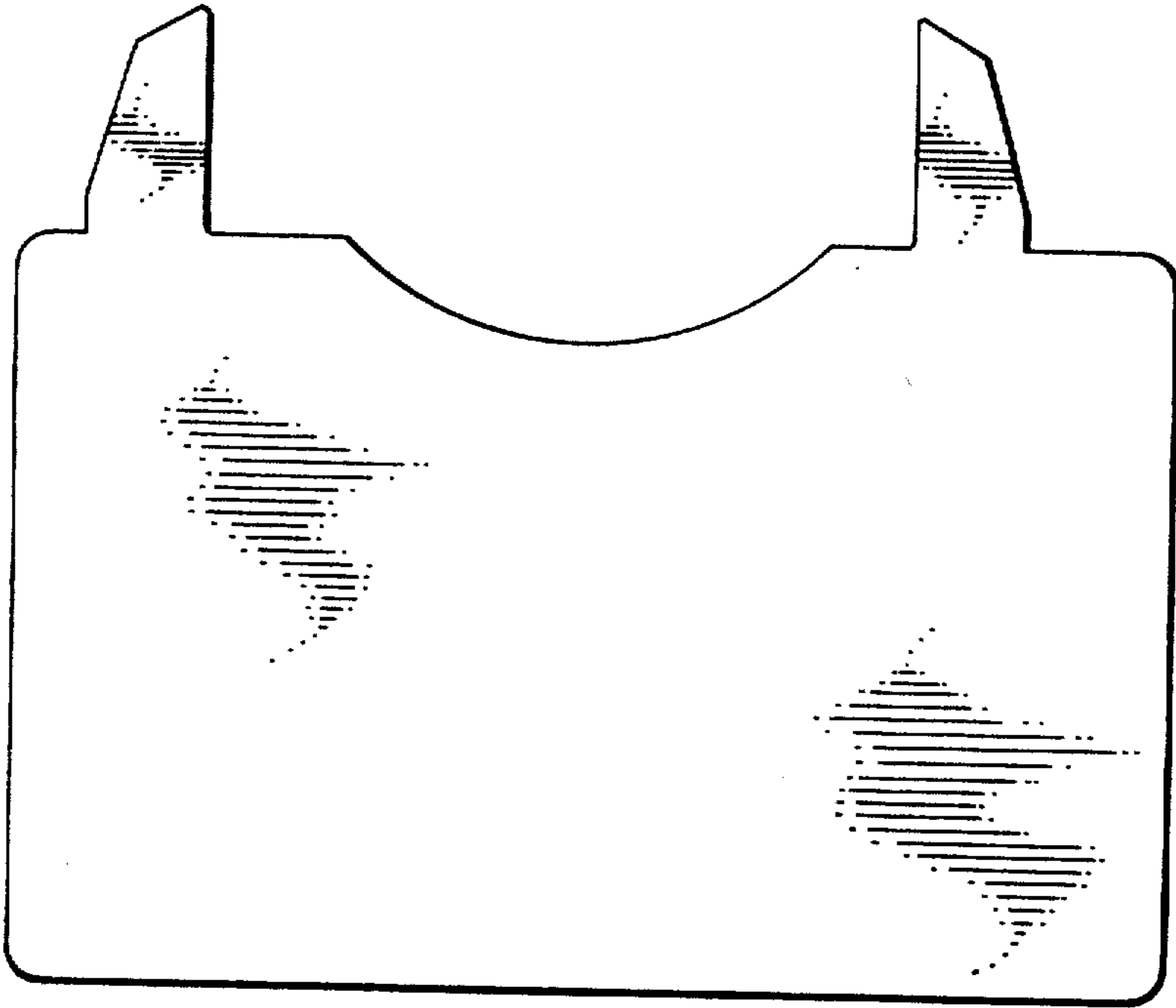


FIG. 3



FIG. 4

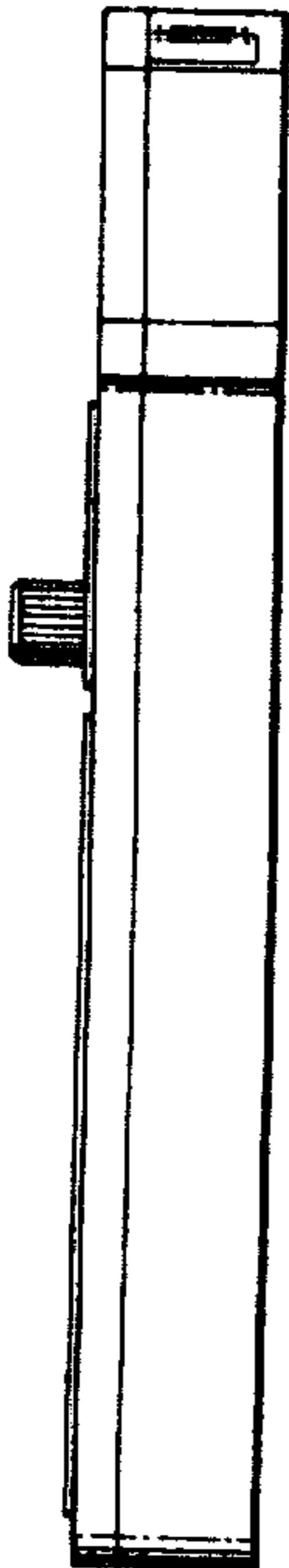


FIG. 5

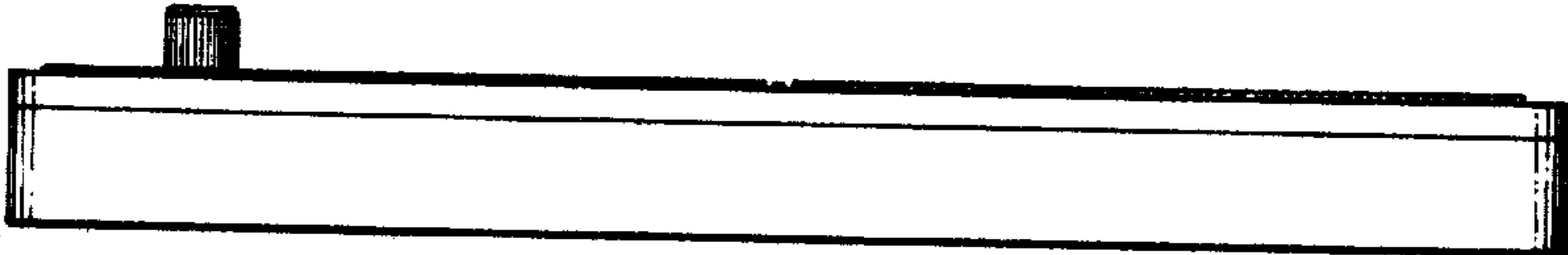


FIG. 6

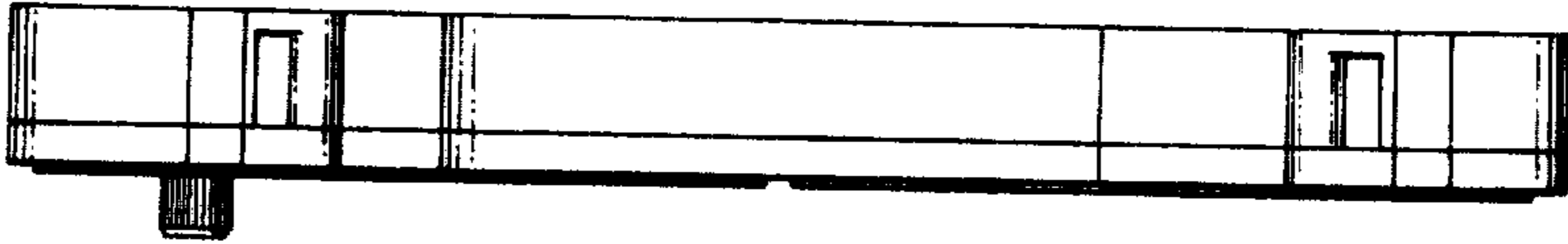


FIG. 7

*FIG. 8*

