

[54] **TYPEWRITER**

[75] Inventor: **Takuo Hirano**, Tokyo, Japan  
[73] Assignee: **Brother Kogyo Kabushiki Kaisha**,  
Nagoya, Japan  
[\*\*] Term: **14 Years**  
[21] Appl. No.: **375,402**  
[22] Filed: **May 6, 1982**

[30] **Foreign Application Priority Data**

Dec. 1, 1981 [JP] Japan ..... 56-53275  
Jan. 22, 1982 [JP] Japan ..... 57-2397

[51] **Int. Cl.** ..... **D18-01**  
[52] **U.S. Cl.** ..... **D18/1**  
[58] **Field of Search** ..... D18/1, 2, 12, , 22;  
D14/100, 115; 400/689-693

[56] **References Cited**

**U.S. PATENT DOCUMENTS**

D. 190,256 5/1961 Covey ..... D18/1  
D. 219,718 1/1971 Penney ..... D18/1  
D. 237,109 10/1975 Genaro et al. .... D18/1 X

D. 258,957 4/1981 Bevilacqua ..... D14/115

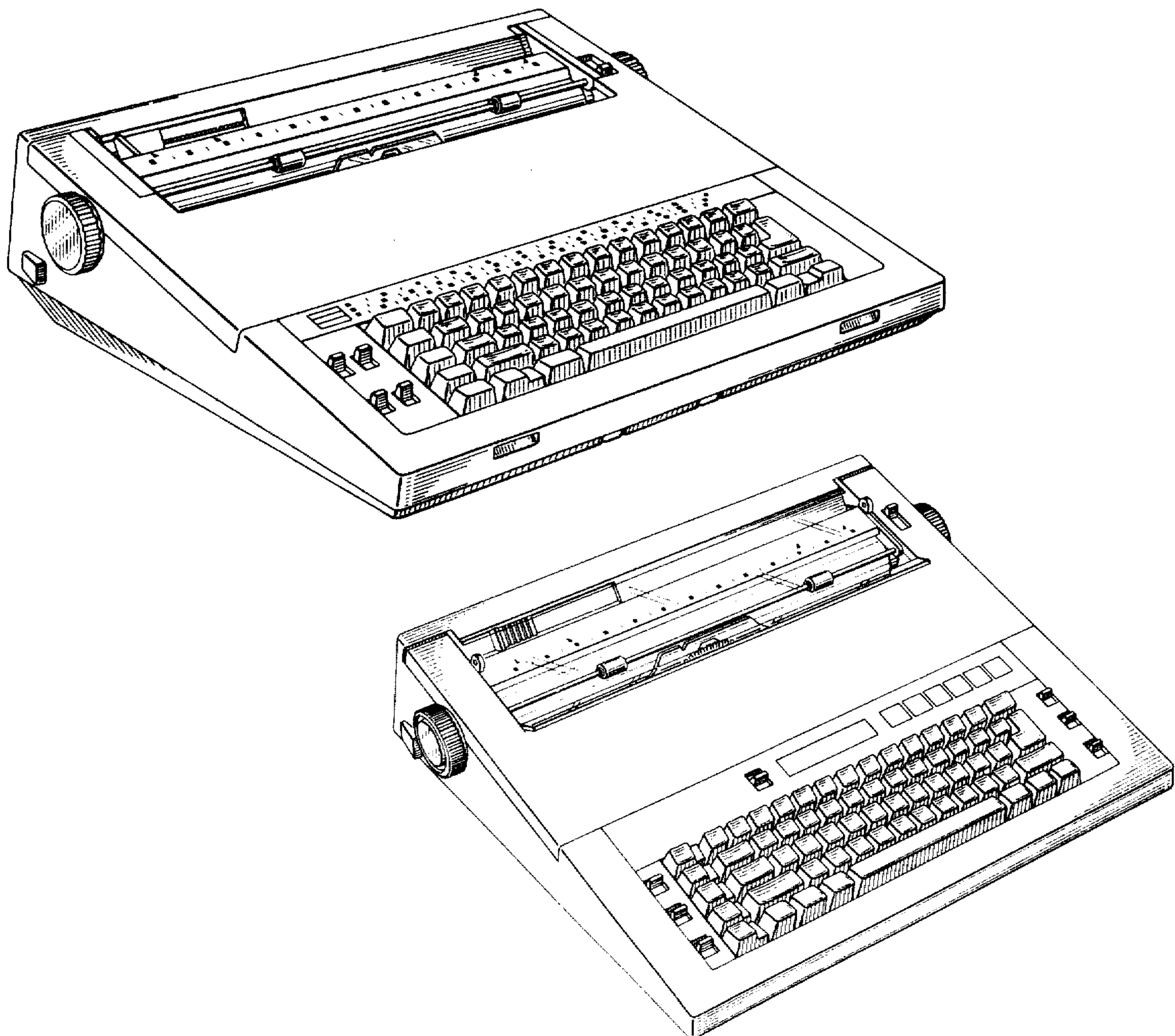
*Primary Examiner*—Louis S. Zarfes  
*Attorney, Agent, or Firm*—Moonray Kojima

[57] **CLAIM**

The ornamental design for a typewriter, as shown and described.

**DESCRIPTION**

FIG. 1 is a front perspective view of a typewriter showing my new design;  
FIG. 2 is a top plan view thereof;  
FIG. 3 is a front elevational view thereof;  
FIG. 4 is a rear elevational view thereof;  
FIG. 5 is a bottom plan view thereof;  
FIG. 6 is a left side elevational view thereof; and  
FIG. 7 is a right side elevational view thereof.  
FIG. 8 is a front perspective view of a typewriter showing a modified form of my new design;  
FIG. 9 is a top plan view thereof;  
FIG. 10 is a front elevational view thereof;  
FIG. 11 is a rear elevational view thereof;  
FIG. 12 is a bottom plan view thereof;  
FIG. 13 is a left side elevational view thereof; and  
FIG. 14 is a right side elevational view thereof.



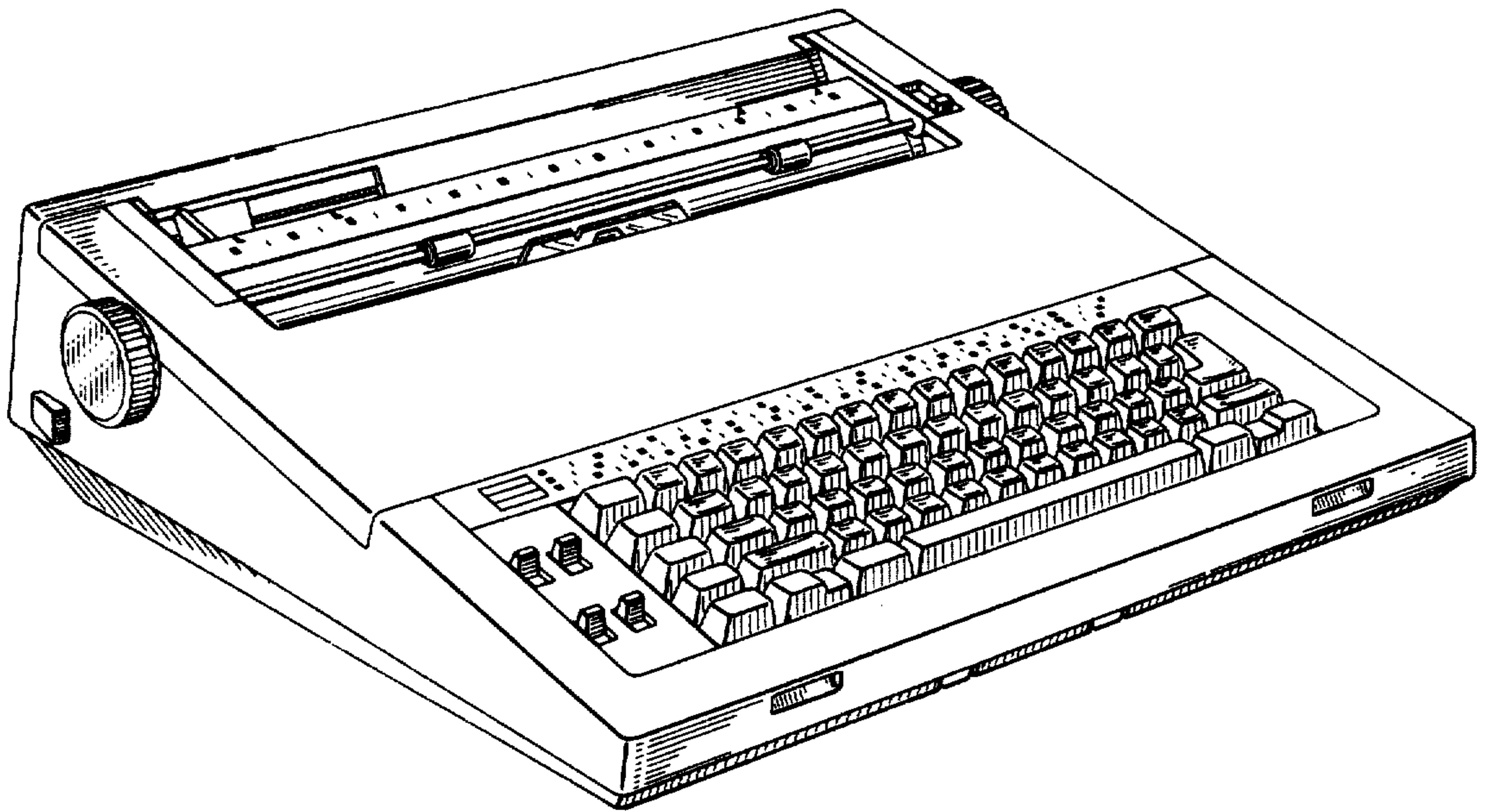


FIG. 1

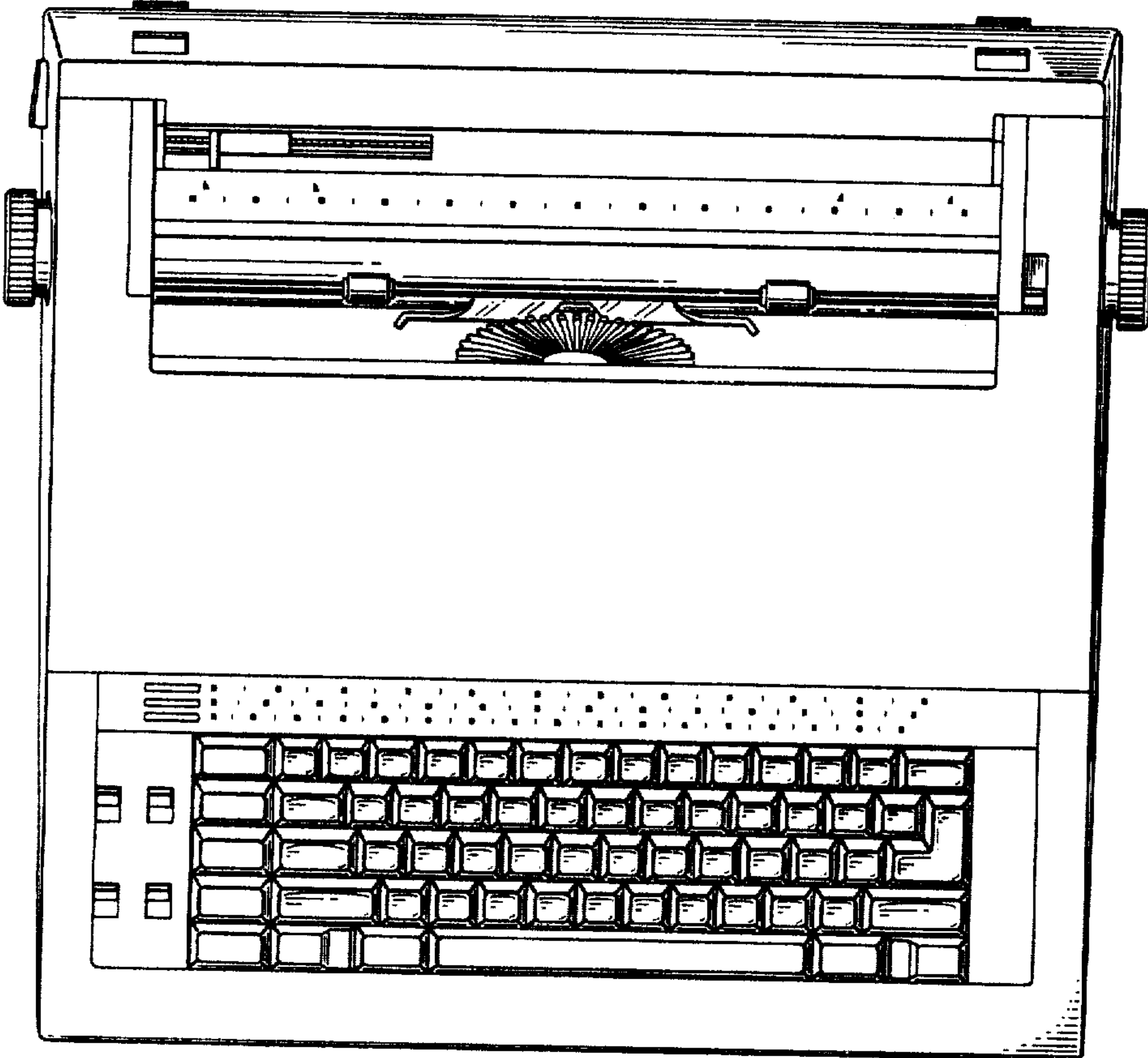


FIG. 2

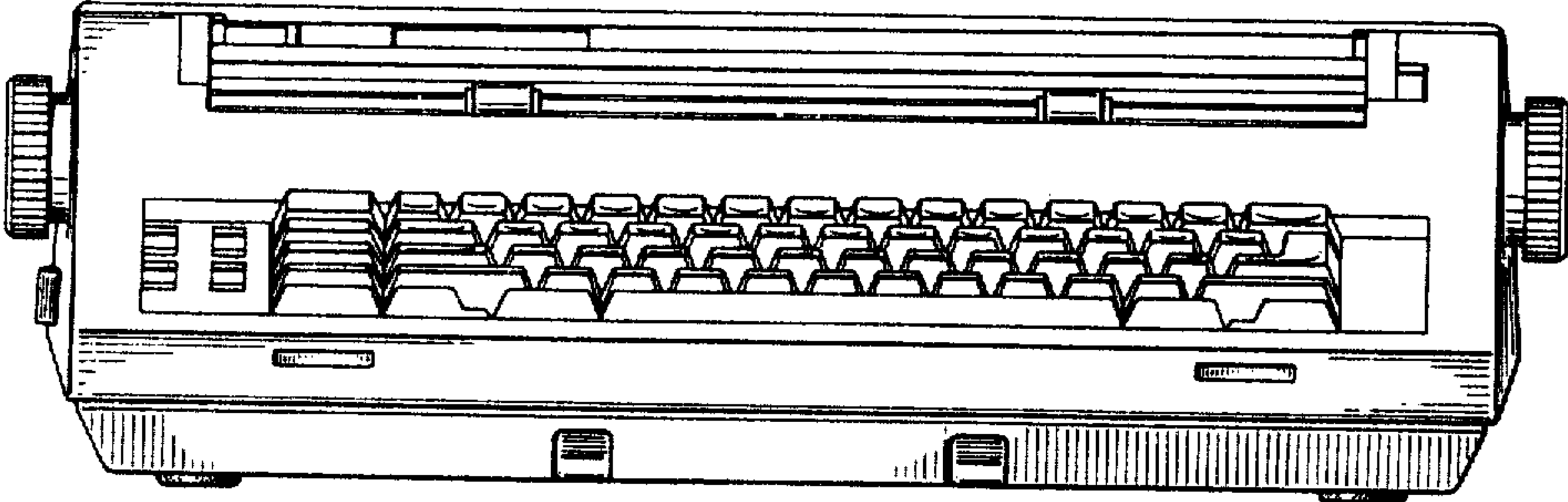


FIG. 3



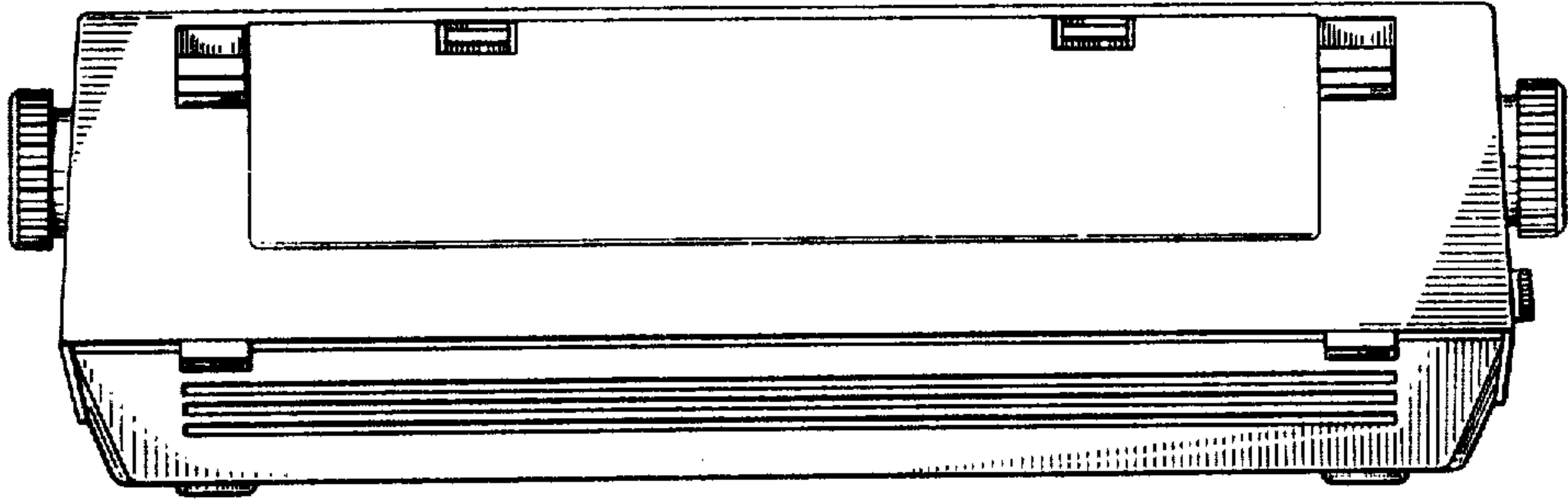


FIG. 4

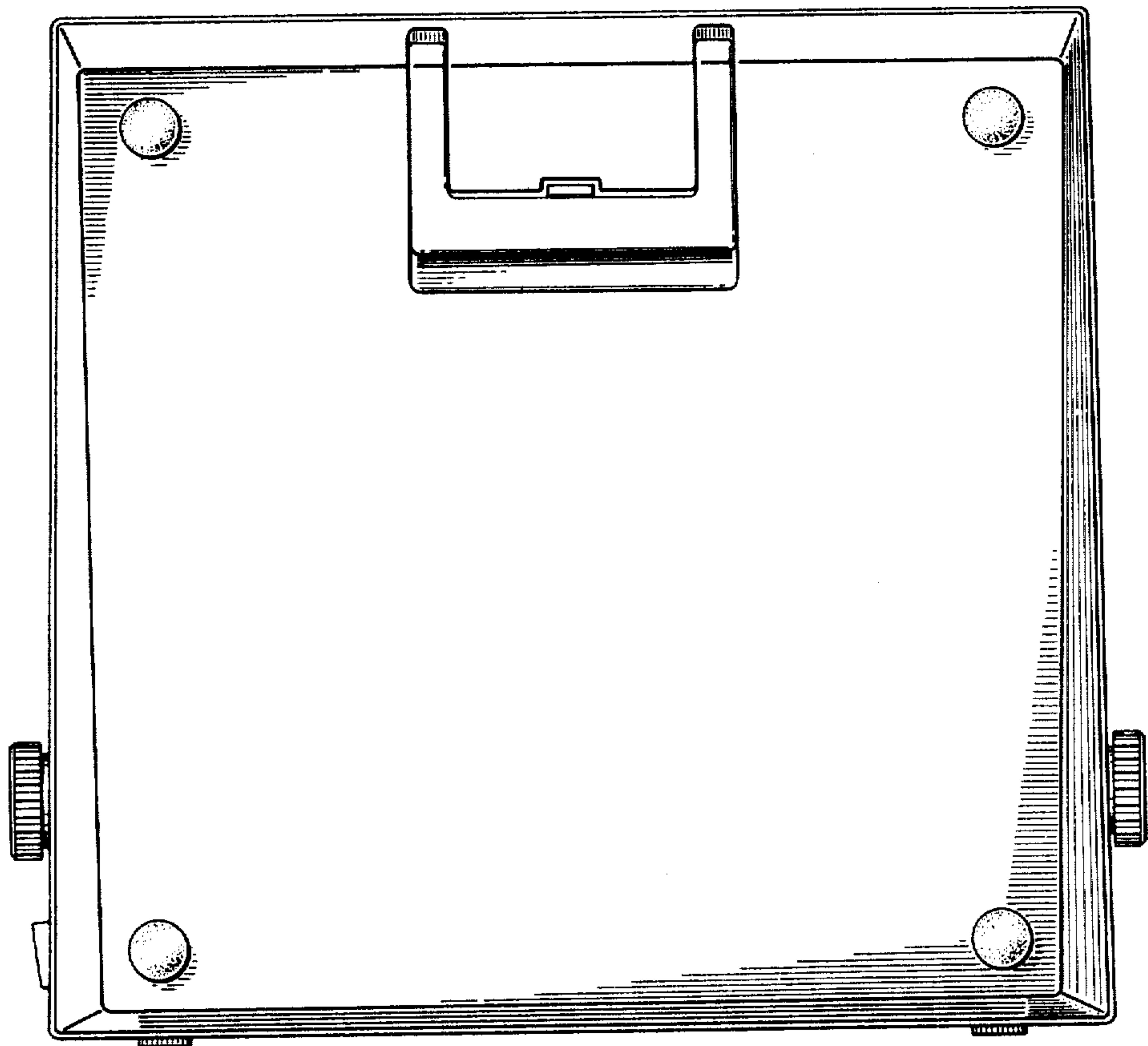


FIG. 5

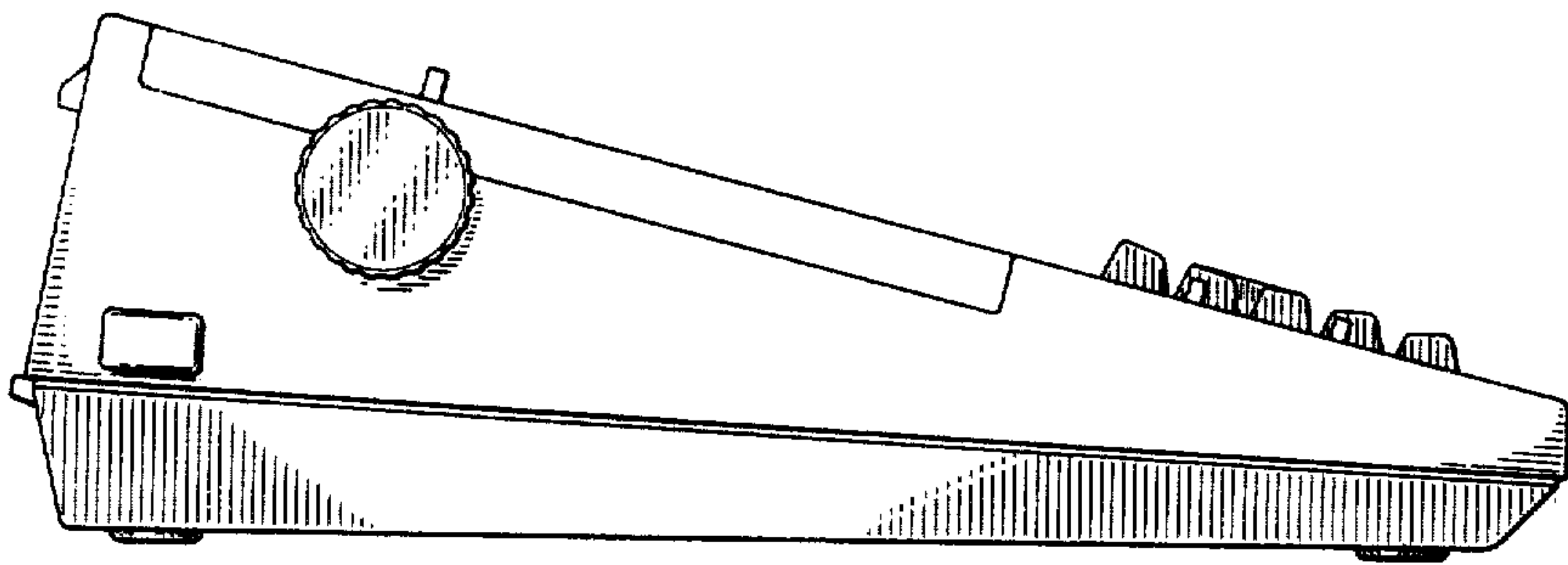


FIG. 6

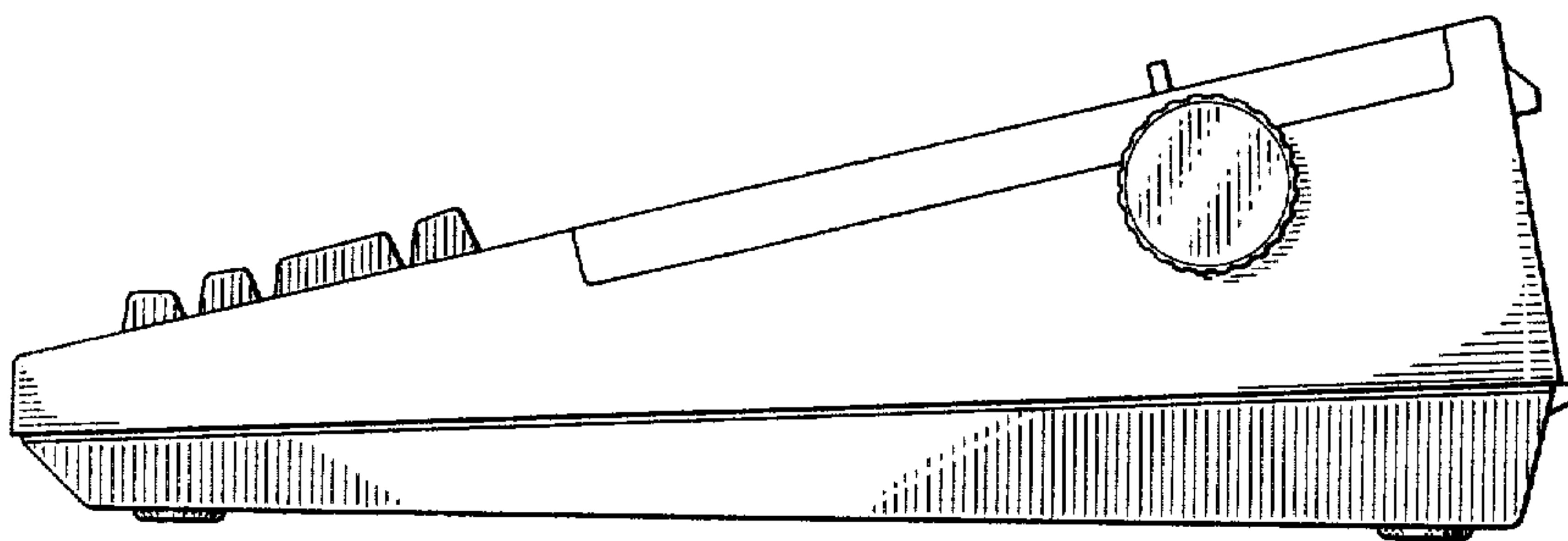


FIG. 7

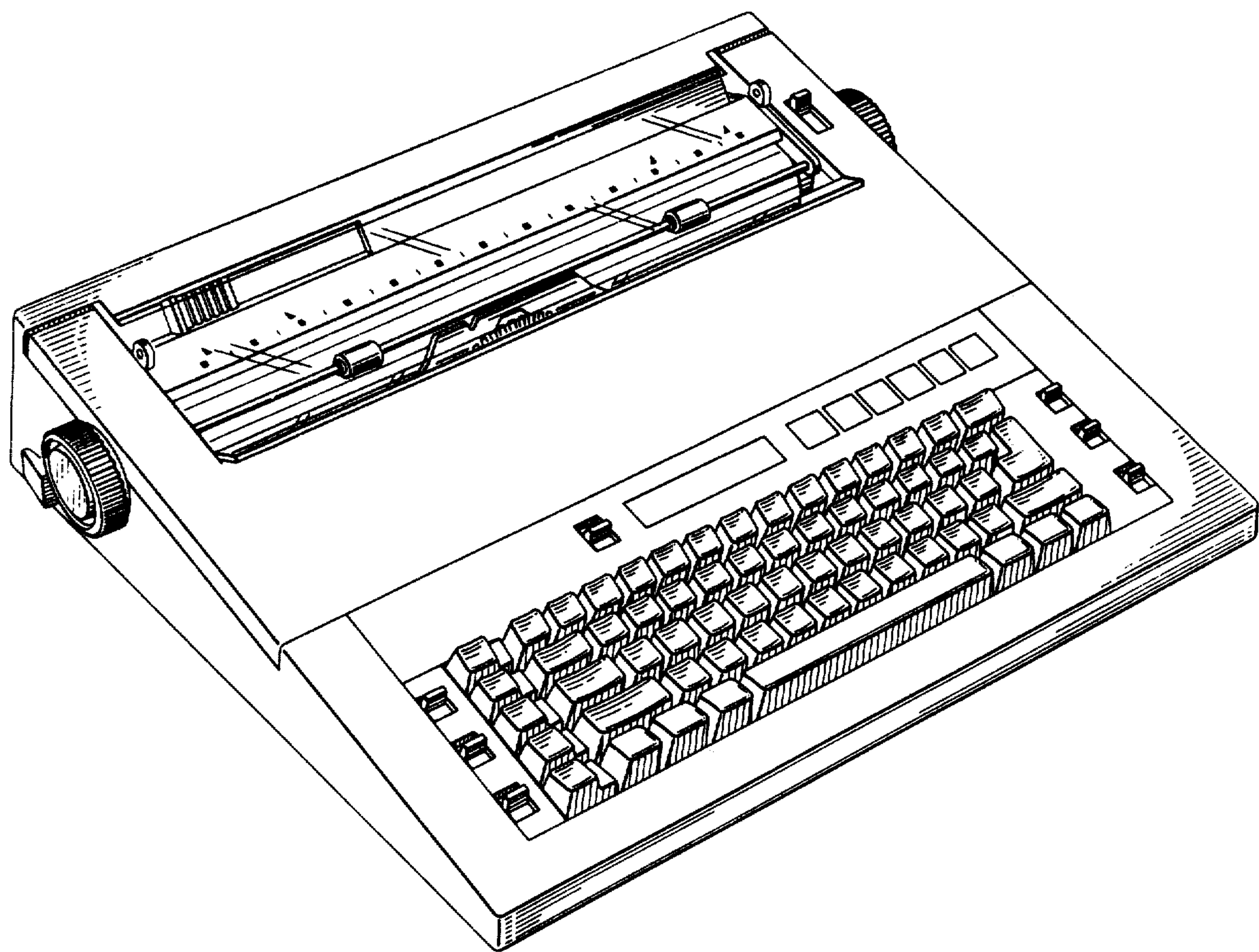


FIG. 8

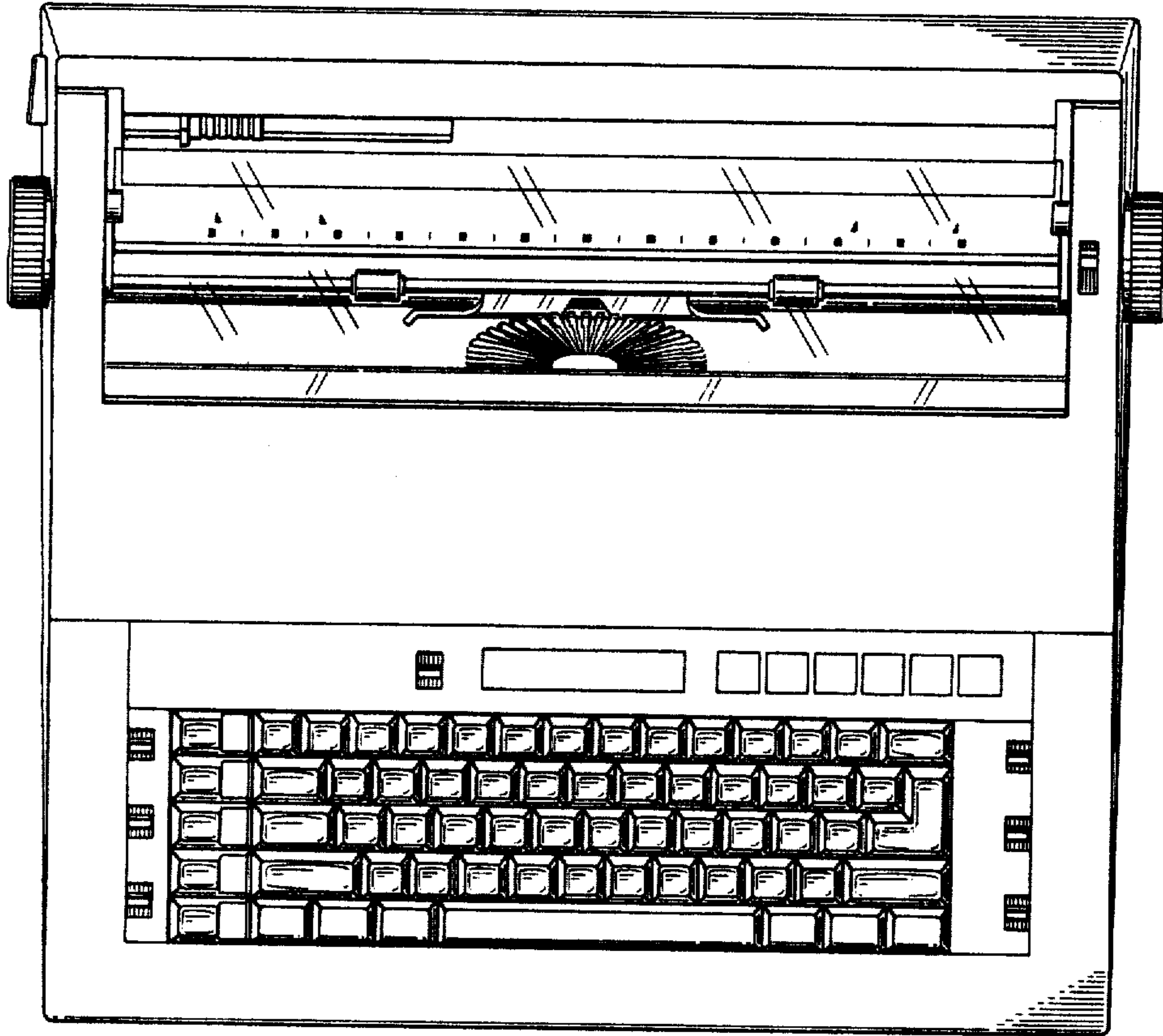


FIG. 9

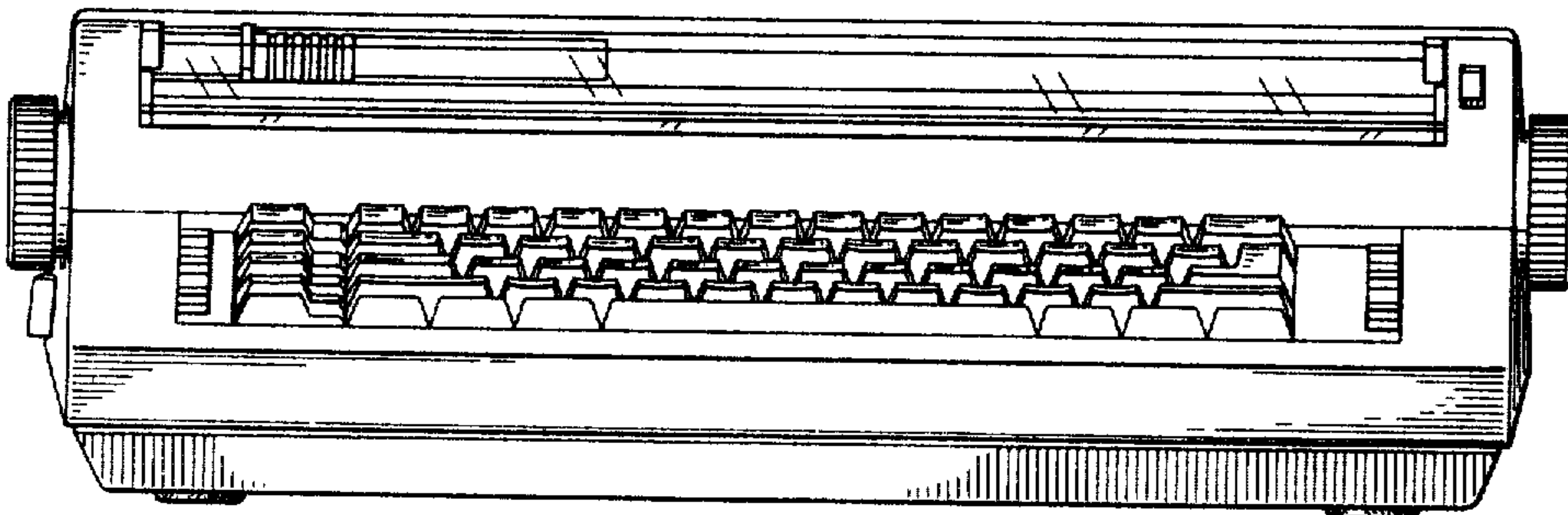


FIG. 10

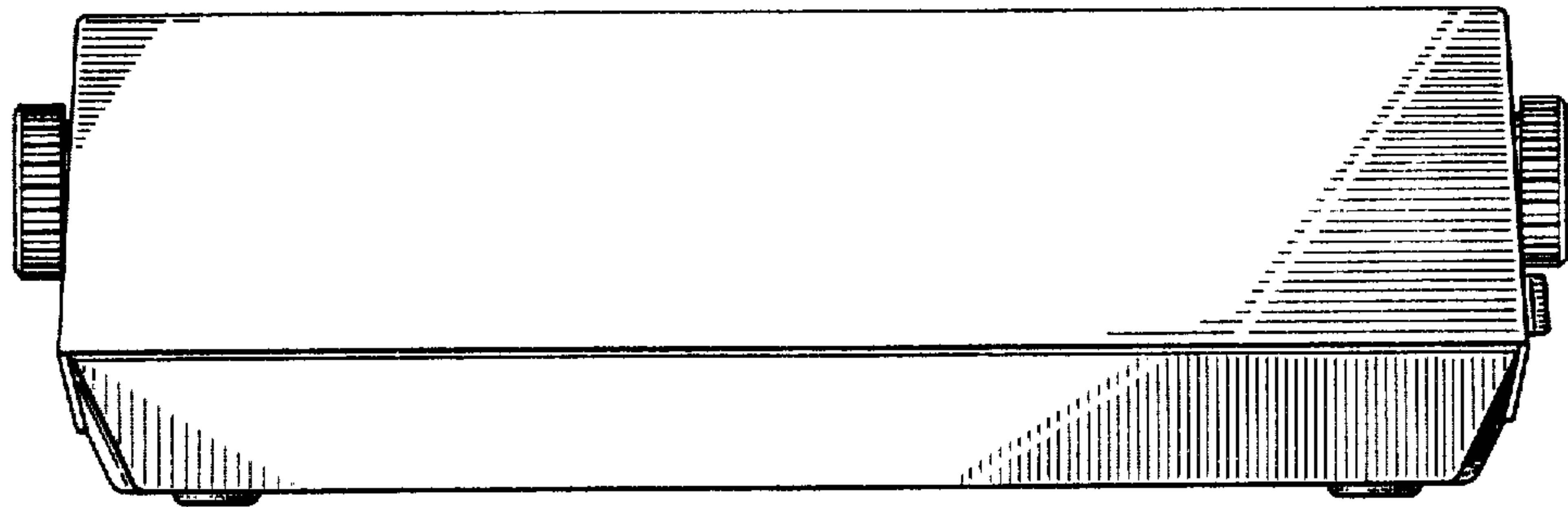


FIG. 11

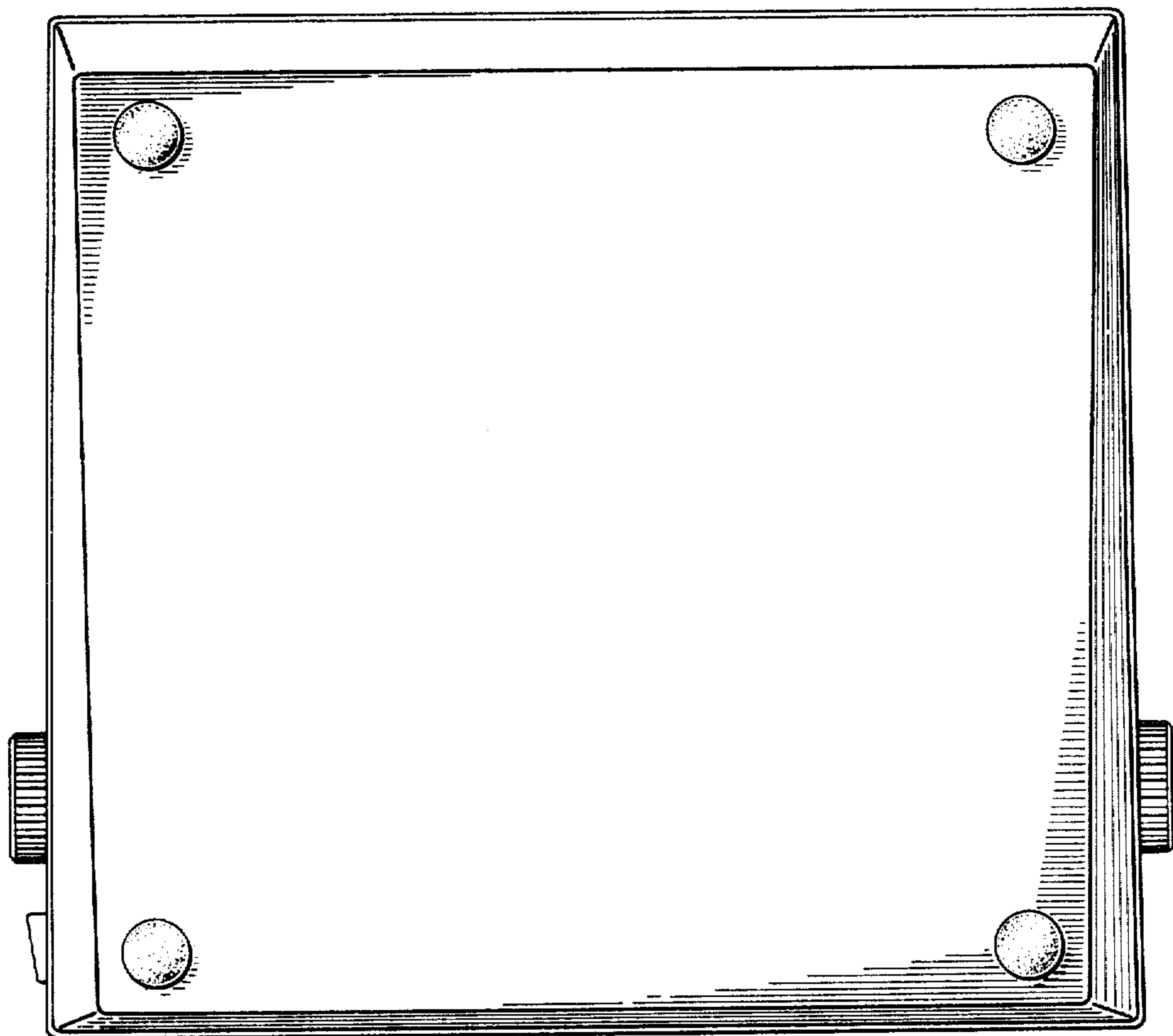


FIG. 12



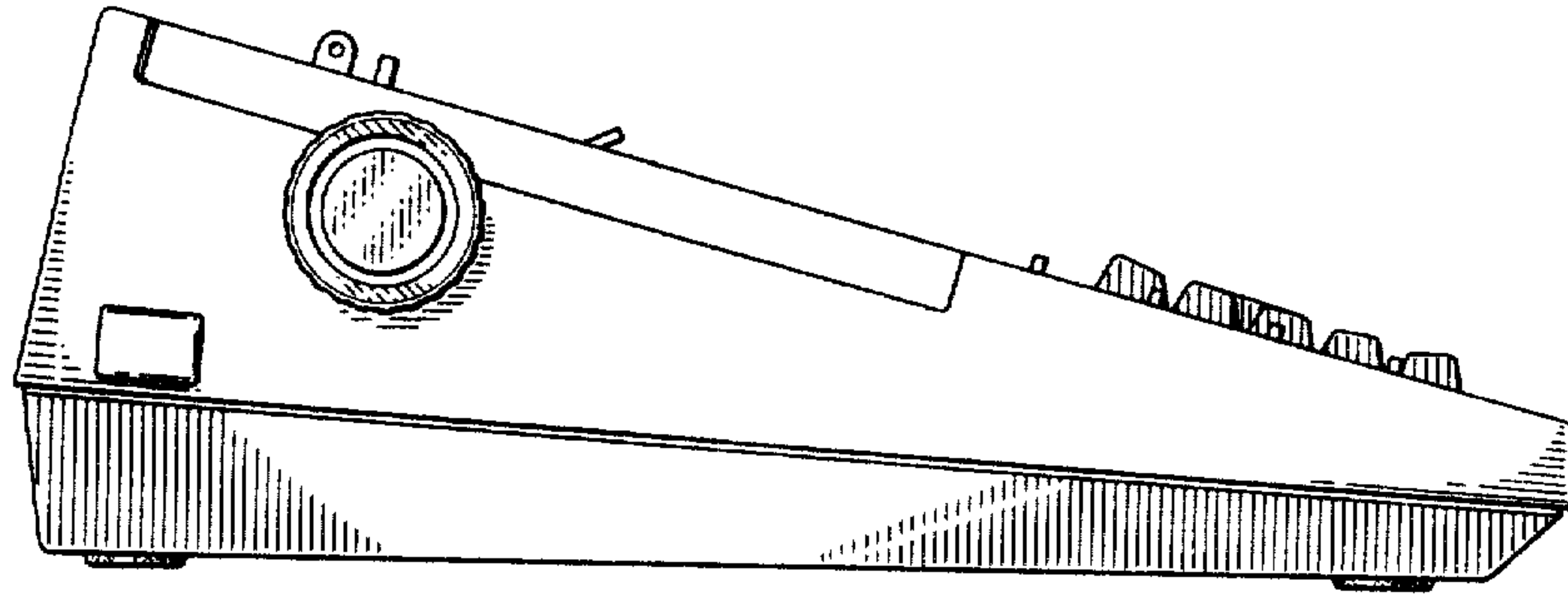


FIG. 13

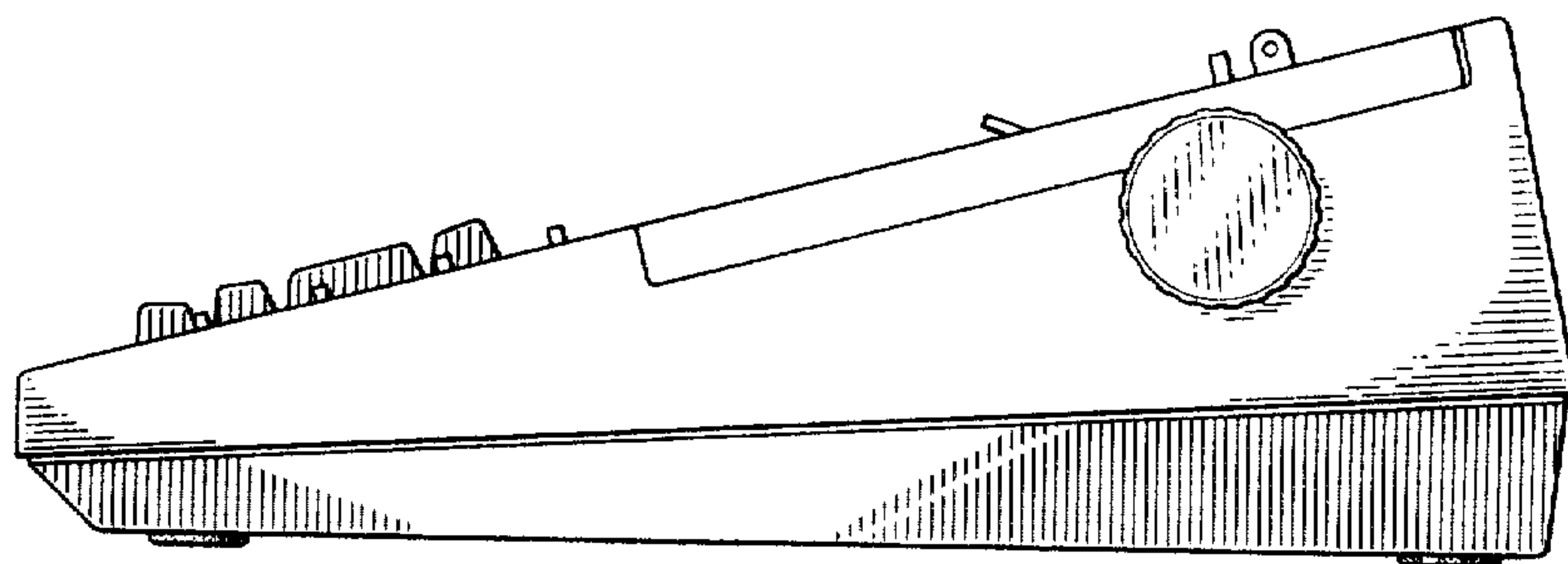


FIG. 14