

[54] **PAIR OF BINOCULARS**

[76] Inventors: **John R. Green**, 19645 Rosita St., Tarzana, Calif. 98221; **Charles D. Turner**, 48 Eastfield Dr., Rolling Hills, Calif. 90274

[\*\*] Term: **14 Years**

[21] Appl. No.: **248,051**

[22] Filed: **Mar. 27, 1981**

[51] Int. Cl. .... **D16—06**

[52] U.S. Cl. .... **D16/133**

[58] Field of Search ..... D16/133, 33; 350/546, 350/140, 143

[5b] **References Cited**

**U.S. PATENT DOCUMENTS**

12,451	2/1855	Stull .....	350/140
D. 106,310	10/1937	Ludouici .....	D16/133
D. 113,640	3/1939	Morbee .....	D16/133
D. 126,838	5/1941	Ryder .....	350/546
D. 130,604	12/1941	Rosse .....	D16/133
D. 146,008	12/1946	Morbee .....	D16/133
D. 179,088	10/1956	Klein .....	D16/133

D. 227,705	7/1973	Mizukawa .....	D16/133
500,835	7/1893	Aitchison .....	350/546
3,817,594	6/1974	Fischer .....	350/546

**FOREIGN PATENT DOCUMENTS**

3710	9/1932	France .....	350/140
737107	9/1932	France .....	350/140
930184	7/1947	France .....	350/140
14598	of 1895	United Kingdom .....	350/546

*Primary Examiner*—Wallace R. Burke  
*Assistant Examiner*—Horace B. Fay, Jr.  
*Attorney, Agent, or Firm*—Fulwider, Patton, Rieber, Lee & Utecht

[57] **CLAIM**

The ornamental design for a pair of binoculars, substantially as shown and described.

**DESCRIPTION**

FIG. 1 is a perspective view of a pair of binoculars showing my new design;  
 FIG. 2 is a top plan view thereof;  
 FIG. 3 is a front view thereof;  
 FIG. 4 is a rear view thereof;  
 FIG. 5 is a side elevational view thereof, with the side opposite that shown in FIG. 5 being identical.

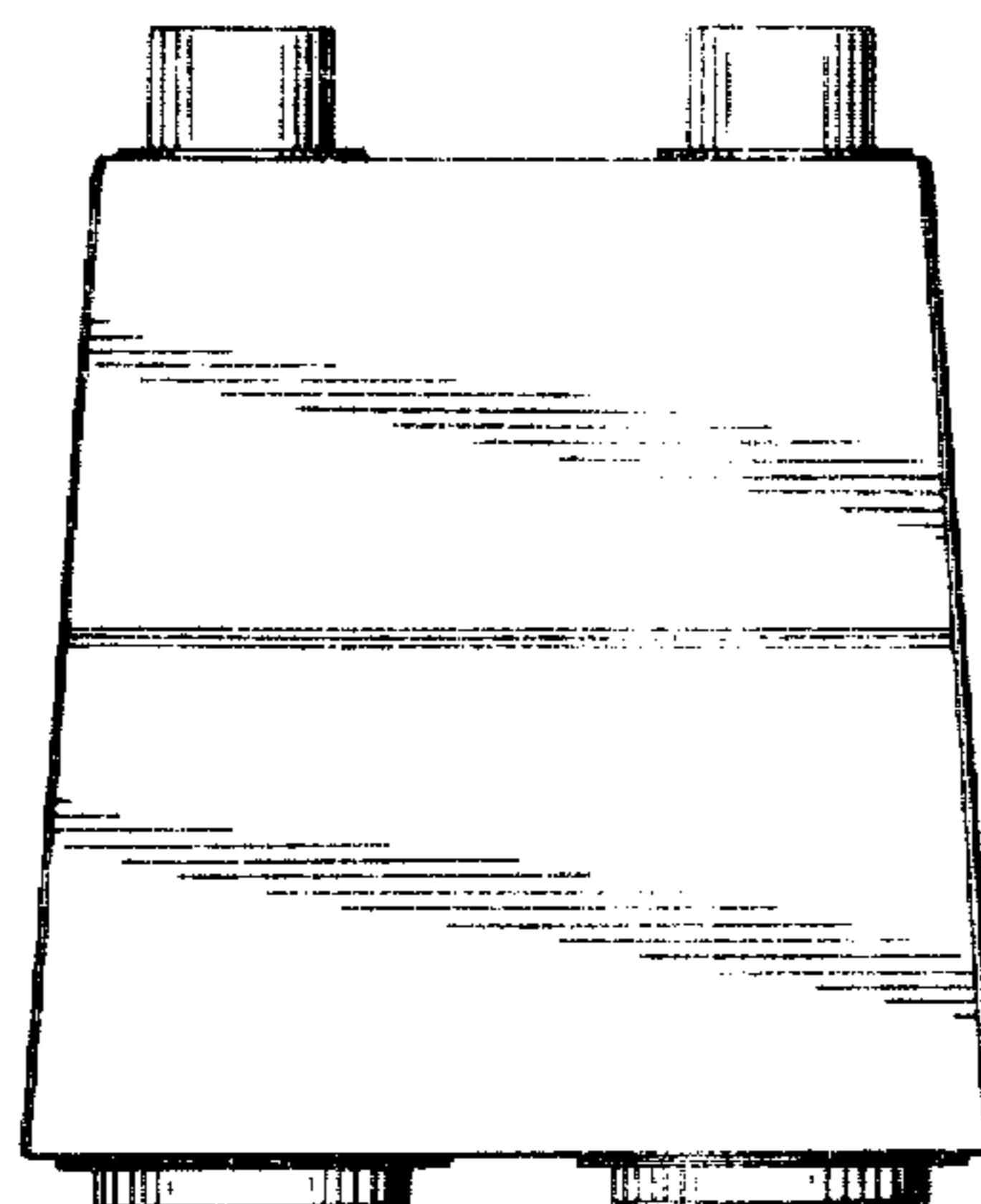
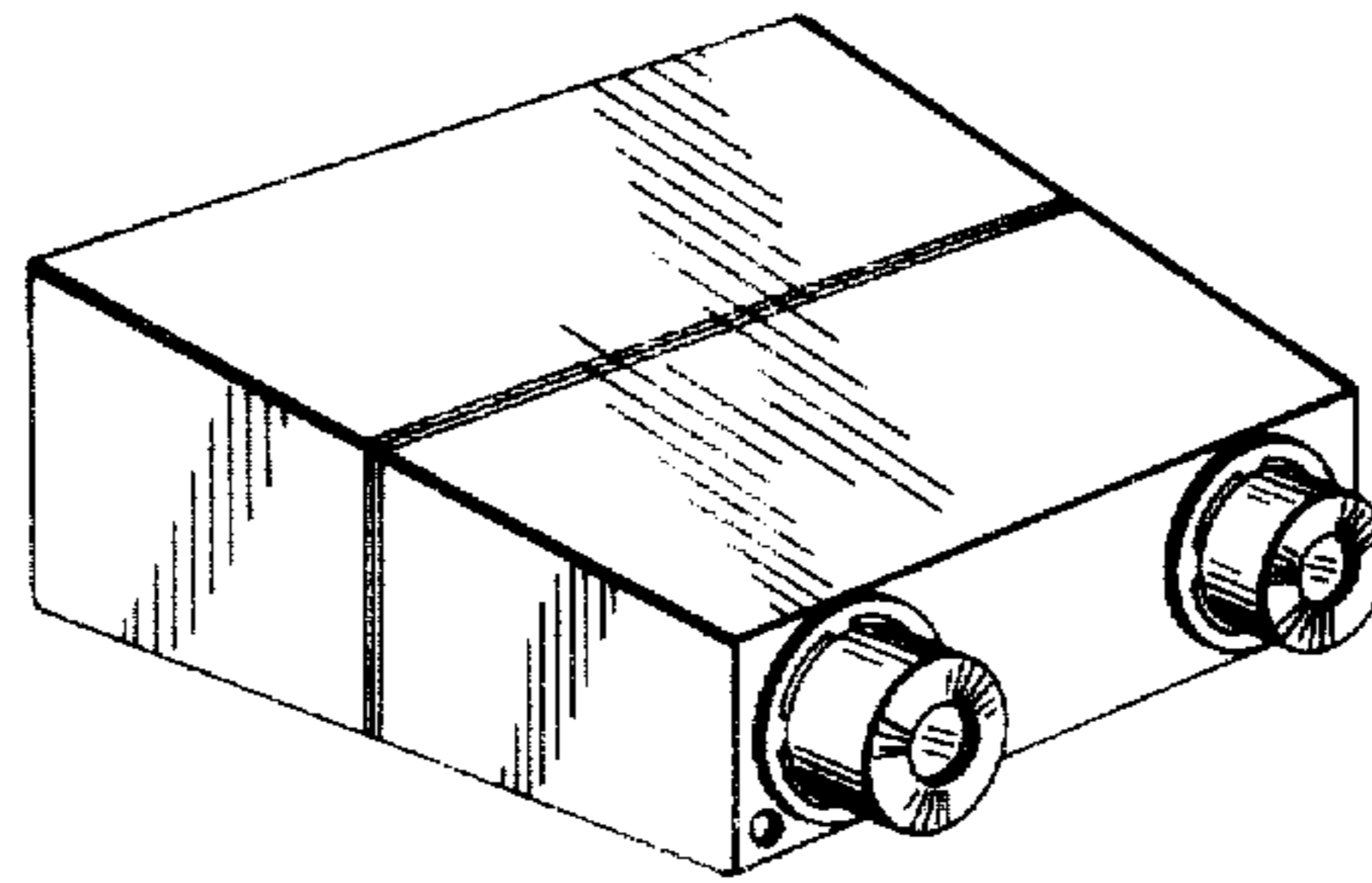


FIG. 1

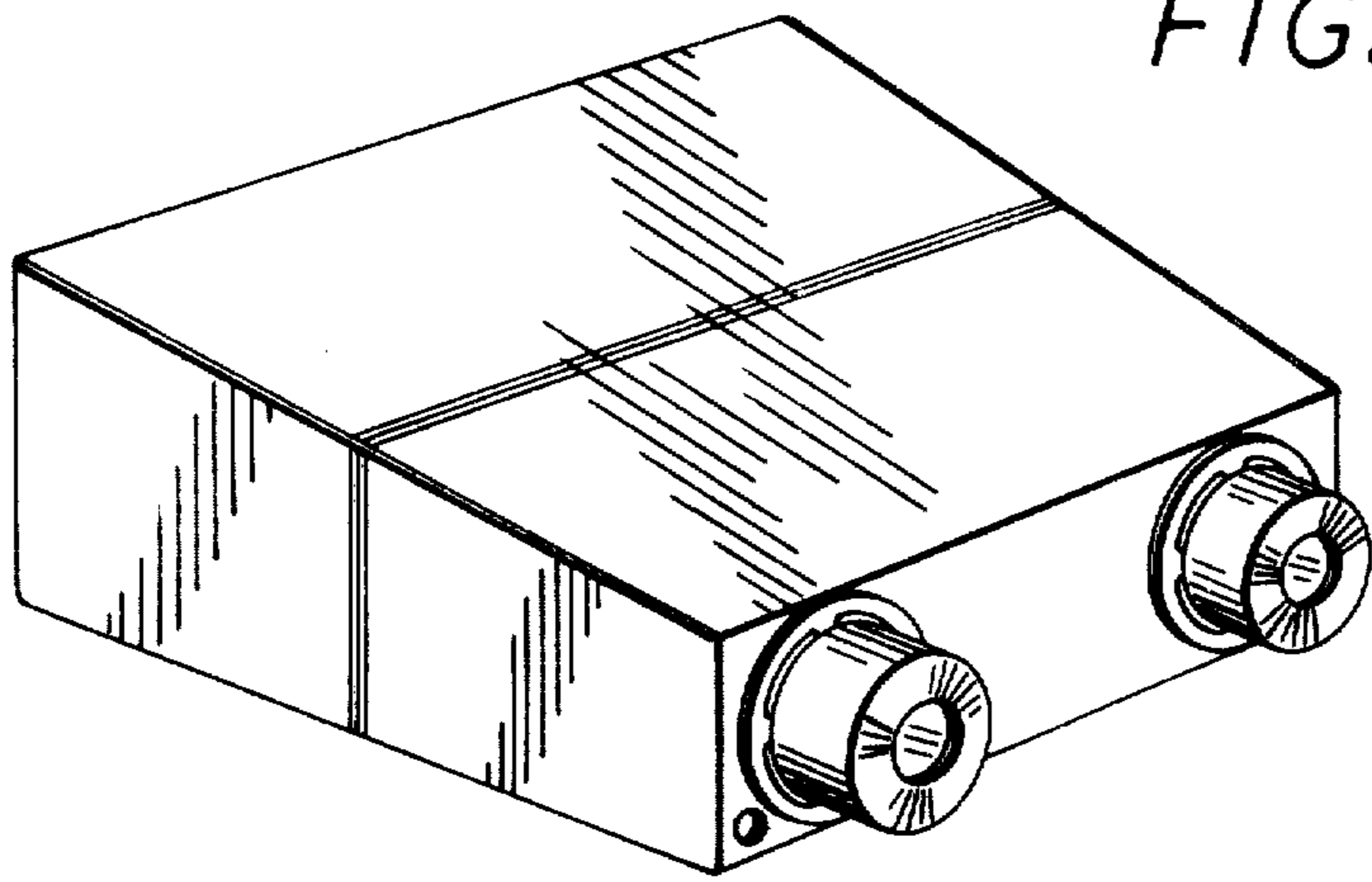


FIG. 2

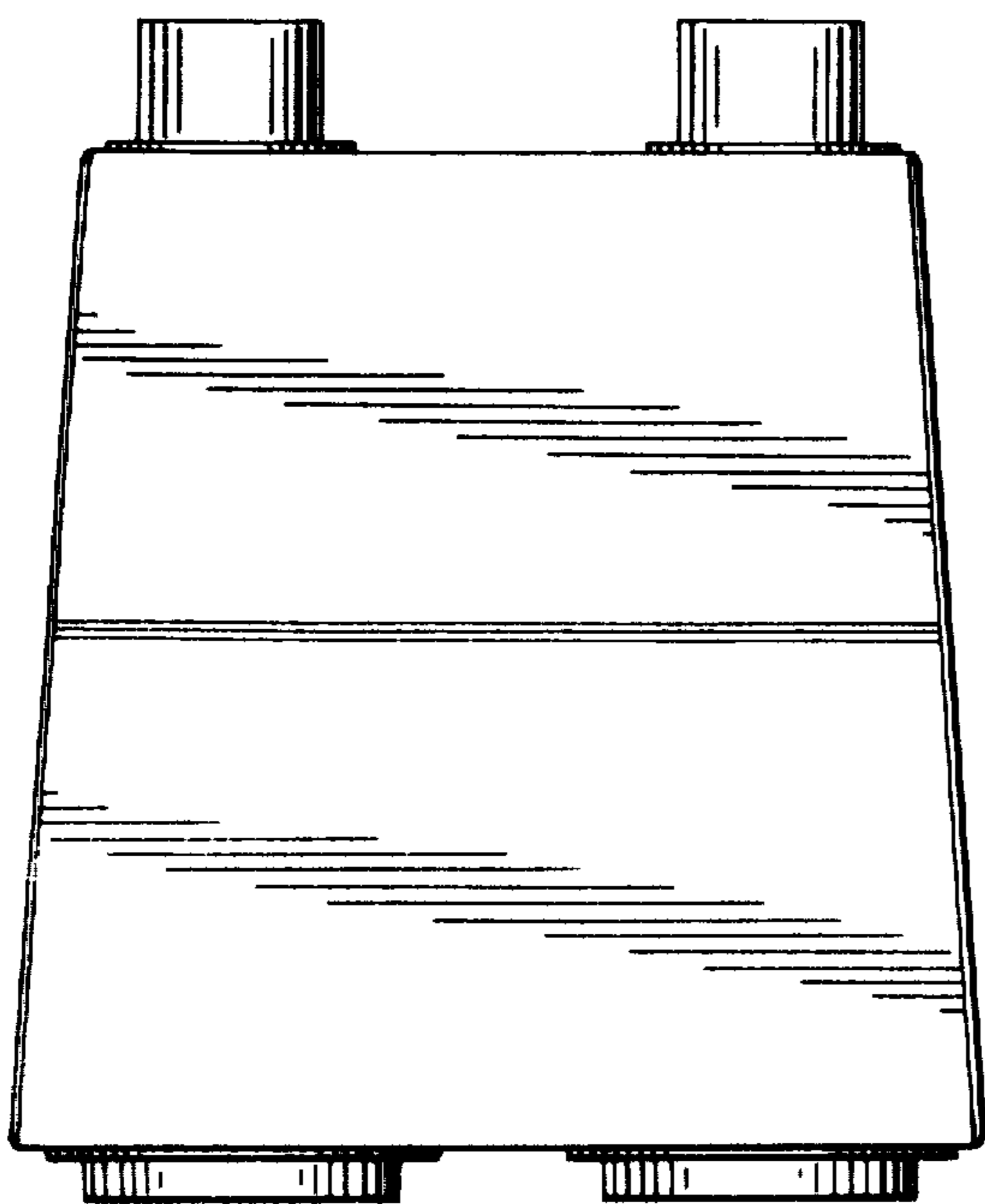


FIG. 3

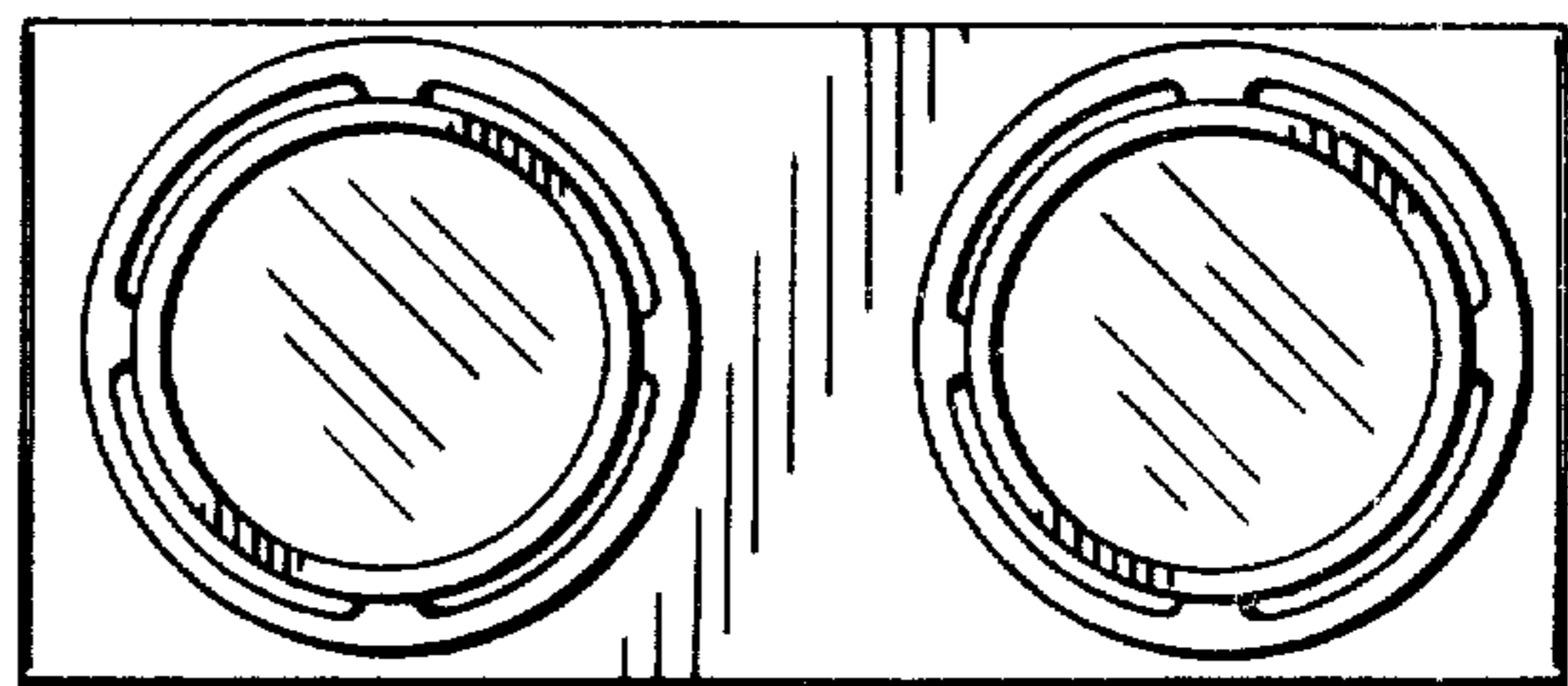


FIG. 4

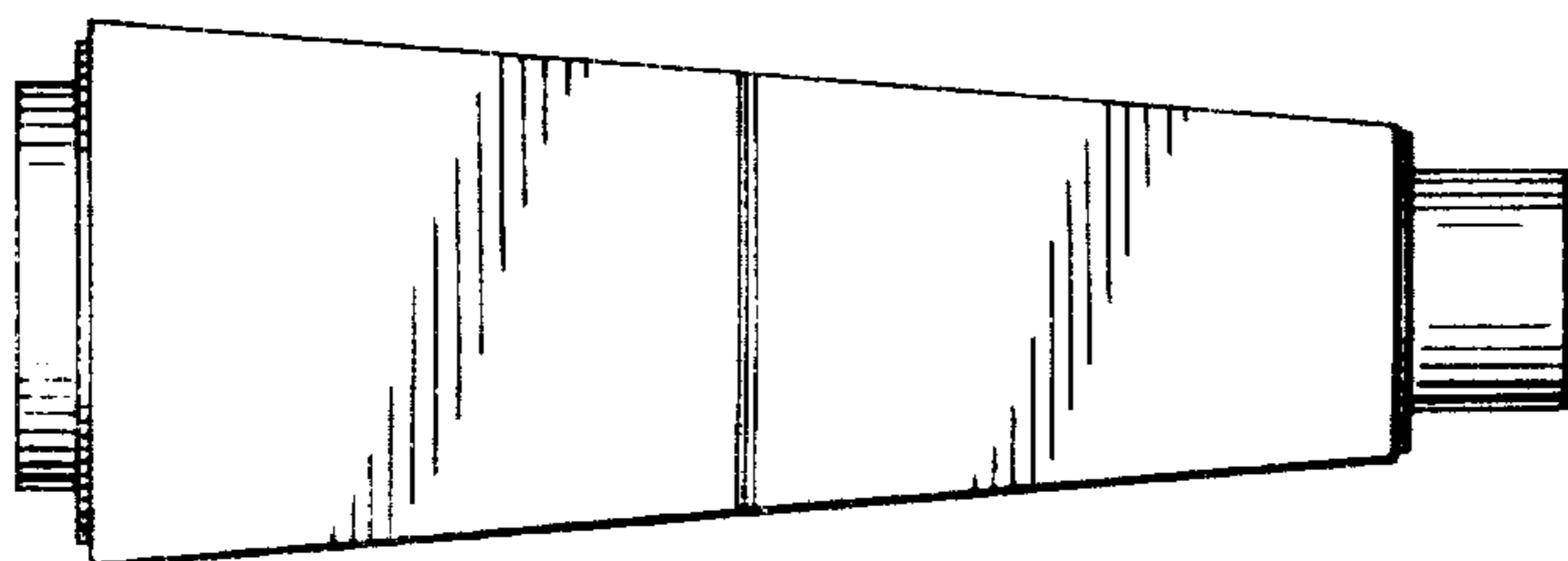
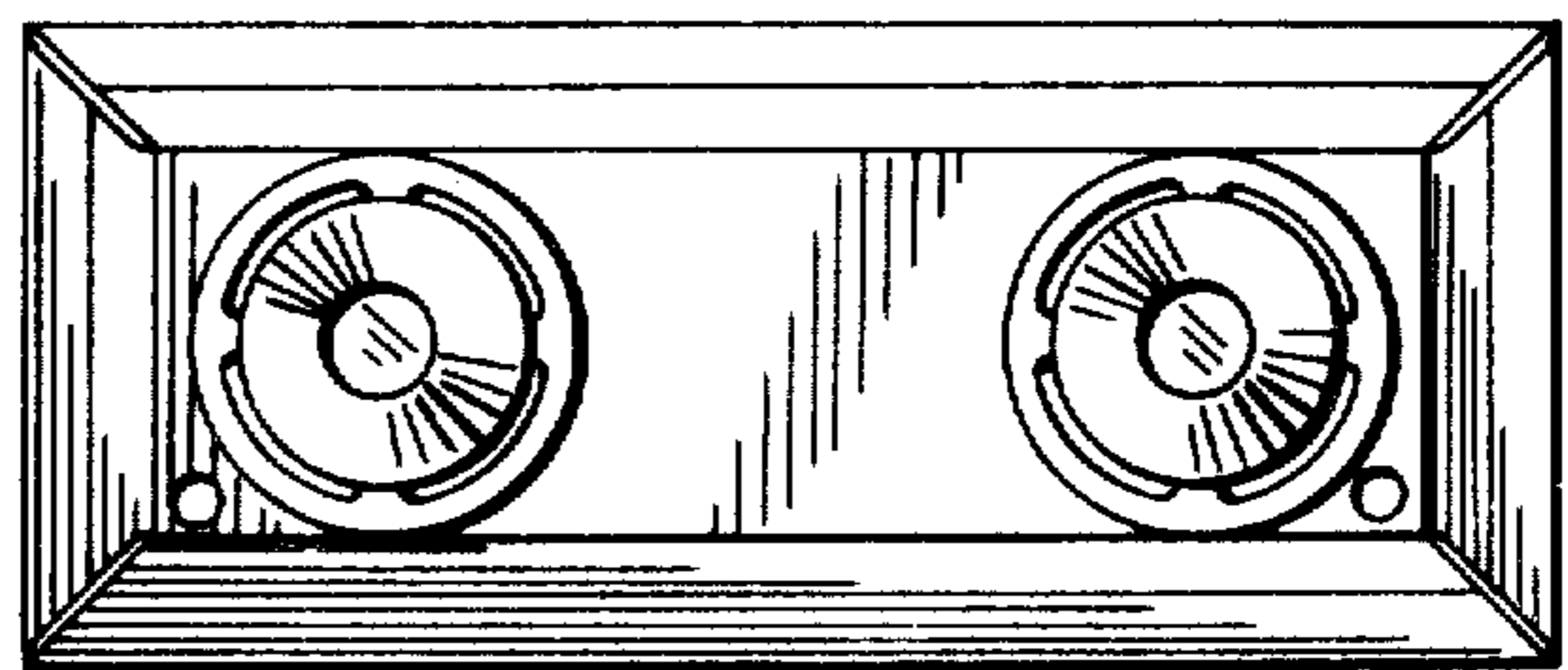


FIG. 5