

[54] WELDING SEAM BACK-UP EXTRUSION

3,258,185 6/1966 Koch et al. .... 228/216 X  
4,182,951 1/1980 Kuder ..... 228/216 X

[76] Inventor: Milo M. Kensrue, 601 Lido Park Dr.,  
8B, Newport Beach, Calif. 92663

Primary Examiner—A. Hugo Word  
Attorney, Agent, or Firm—Whann & McManigal

[\*\*] Term: Years

[57] CLAIM

[21] Appl. No.: 167,904

The ornamental design for a welding seam back-up  
extrusion, as shown and described.

[22] Filed: Jul. 14, 1980

DESCRIPTION

[51] Int. Cl. .... D15-99

FIG. 1 is a perspective view, of indeterminate length,  
showing my new design for a welding seam back-up  
extrusion;

[52] U.S. Cl. .... D15/144; D25/74

FIG. 2 is a fragmentary top plan view;

[58] Field of Search ..... 228/216, 173 E; D25/73,  
D25/74, 75, 76, 77; D15/144

FIG. 3 is an end elevational view;

[56] References Cited

FIG. 4 is a fragmentary elevational view of the rear  
side, as shown in FIG. 1; and

U.S. PATENT DOCUMENTS

FIG. 5 is a fragmentary bottom plan view.

D. 132,265 5/1942 Scott ..... D15/144

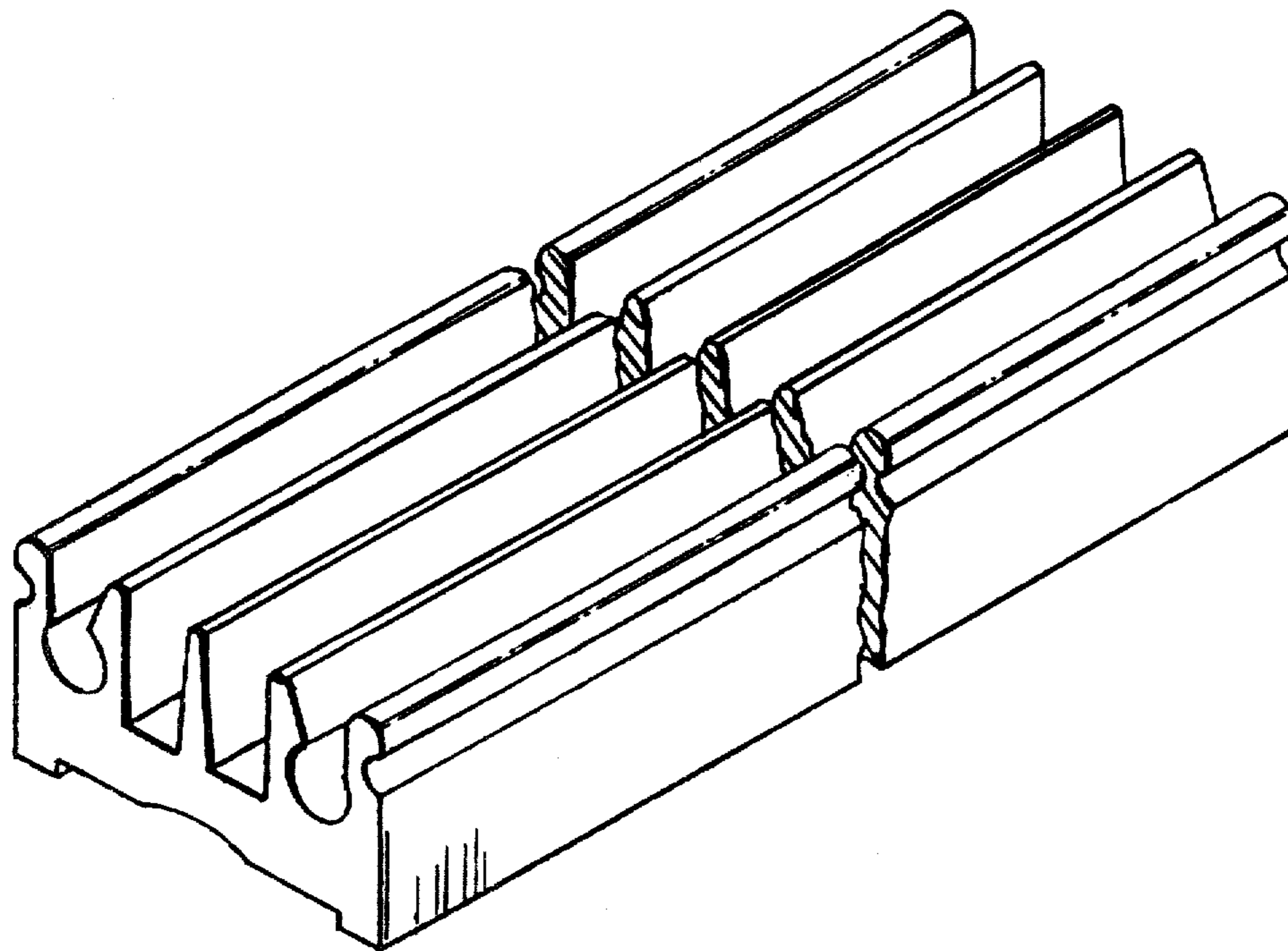


FIG. 1.

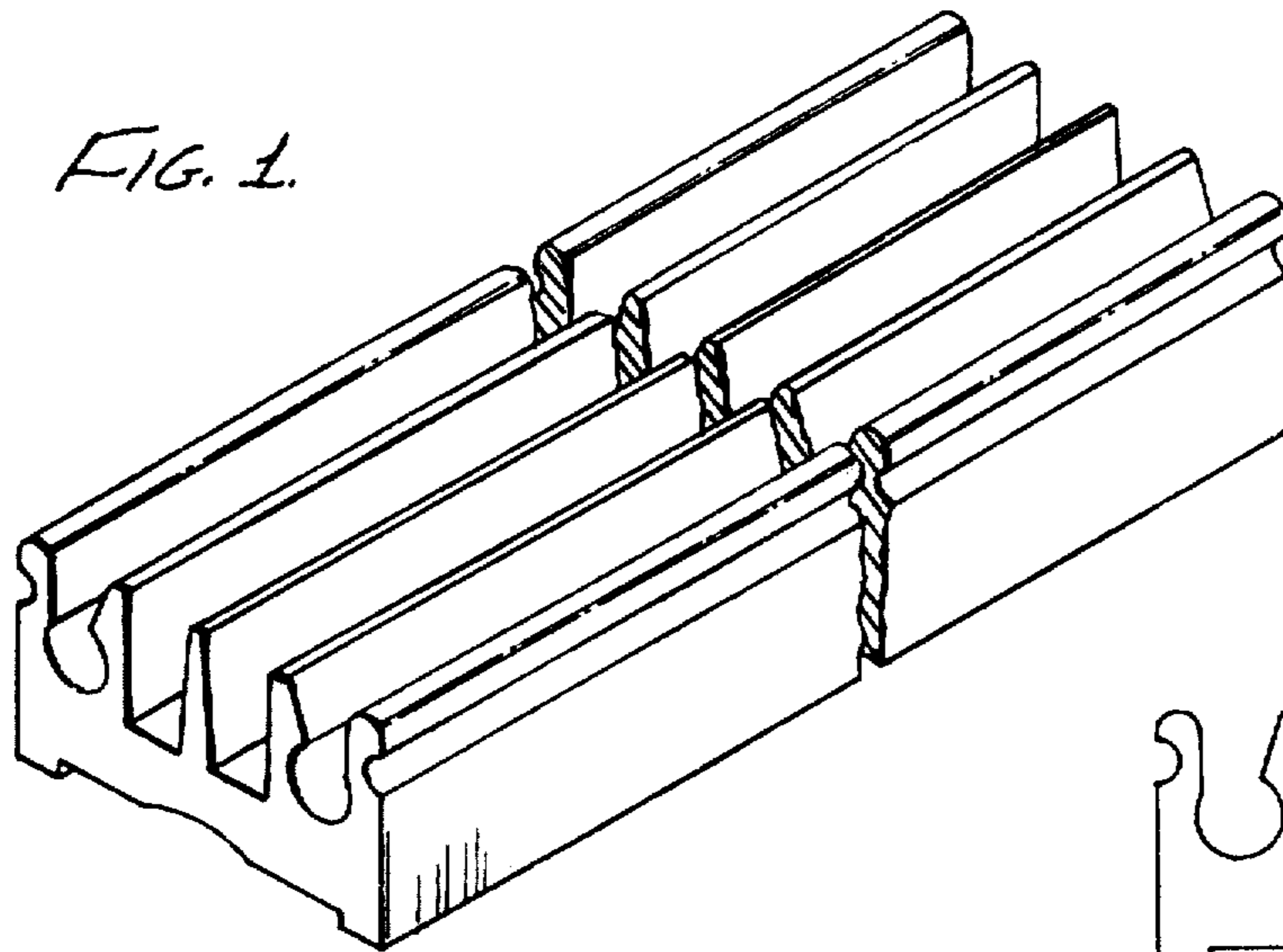


FIG. 3.

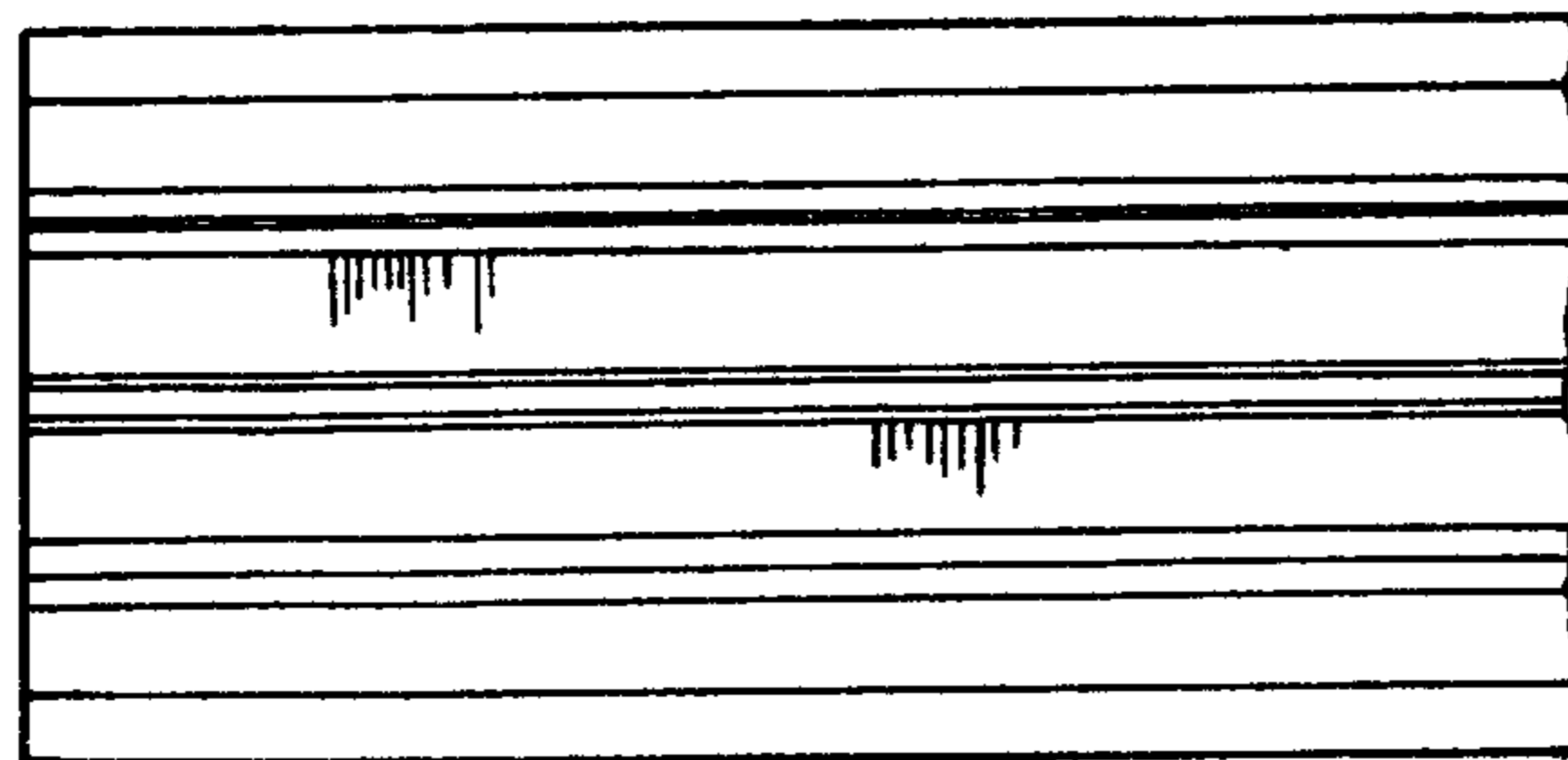


FIG. 2.

FIG. 4.

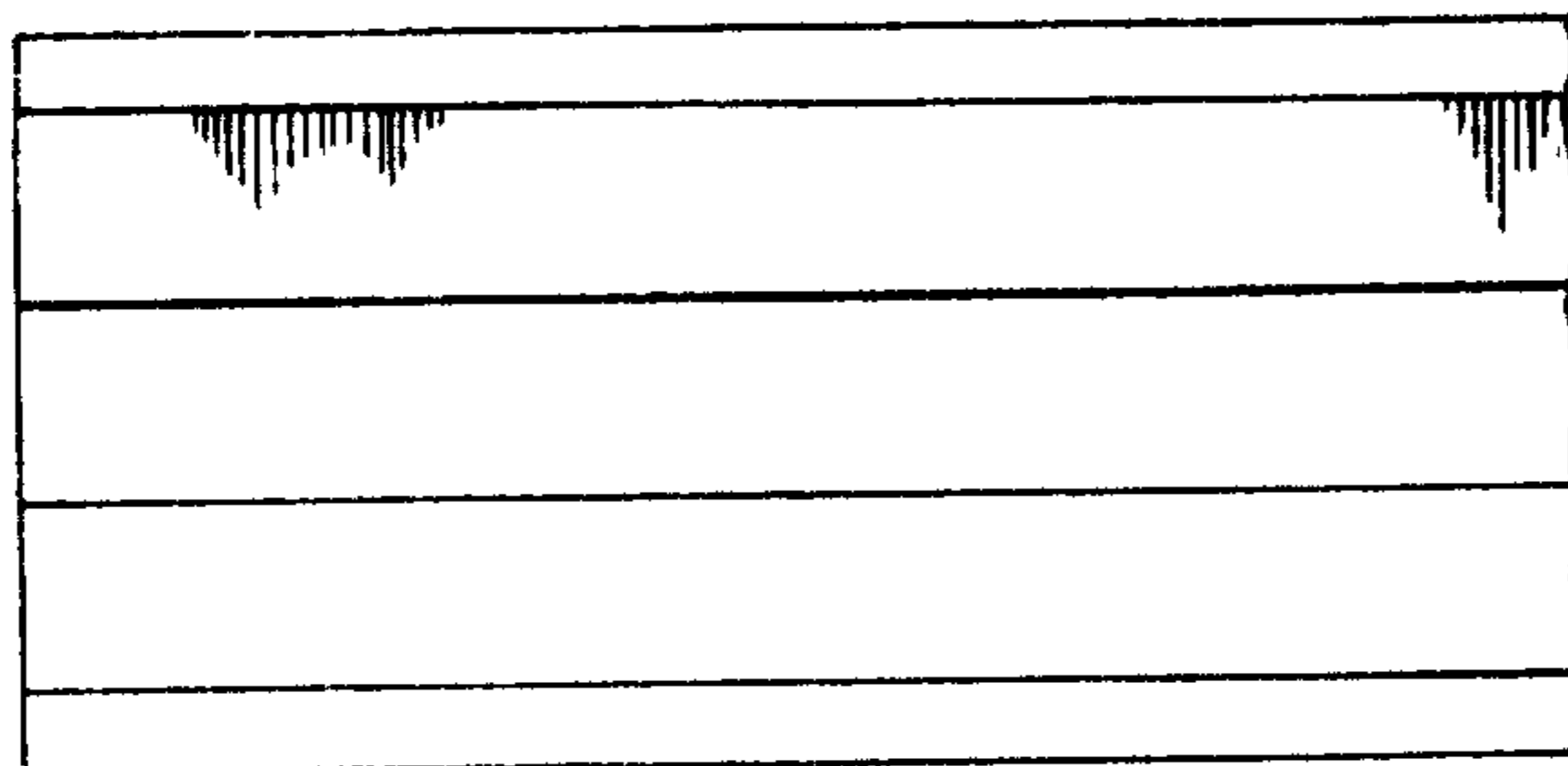
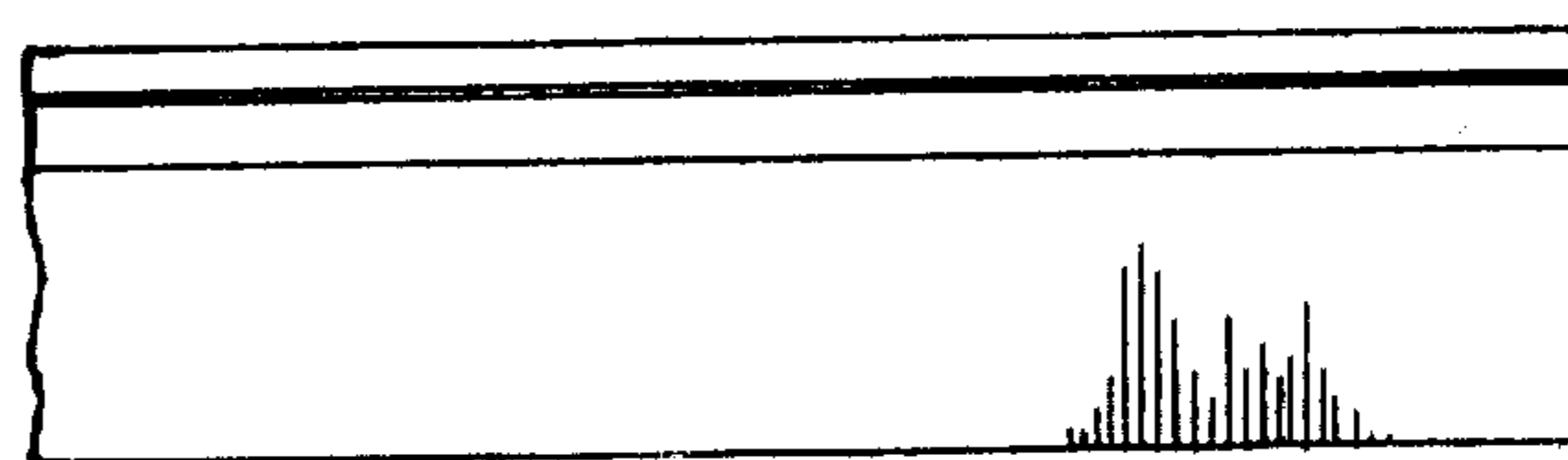


FIG. 5