

[54] **WIND TURBINE**  
[75] Inventor: **Sherman Ovelmen, Elgin, Ill.**  
[73] Assignee: **Windgen, Limited, Elgin, Ill.**  
[\*\*] Term: **14 Years**  
[21] Appl. No.: **262,103**  
[22] Filed: **May 11, 1981**  
[51] Int. Cl. .... **D15—01**  
[52] U.S. Cl. .... **D15/1**  
[58] Field of Search ..... **D15/1; 416/9, 12, 117,  
416/132 R, 132 B, 196 A, 197 A**

[56] **References Cited**  
**U.S. PATENT DOCUMENTS**  
2,074,952 3/1937 Albers et al. .... 416/9

**OTHER PUBLICATIONS**

Wind Power for Your Home, p. 88, Wincharger Wind Turbine.

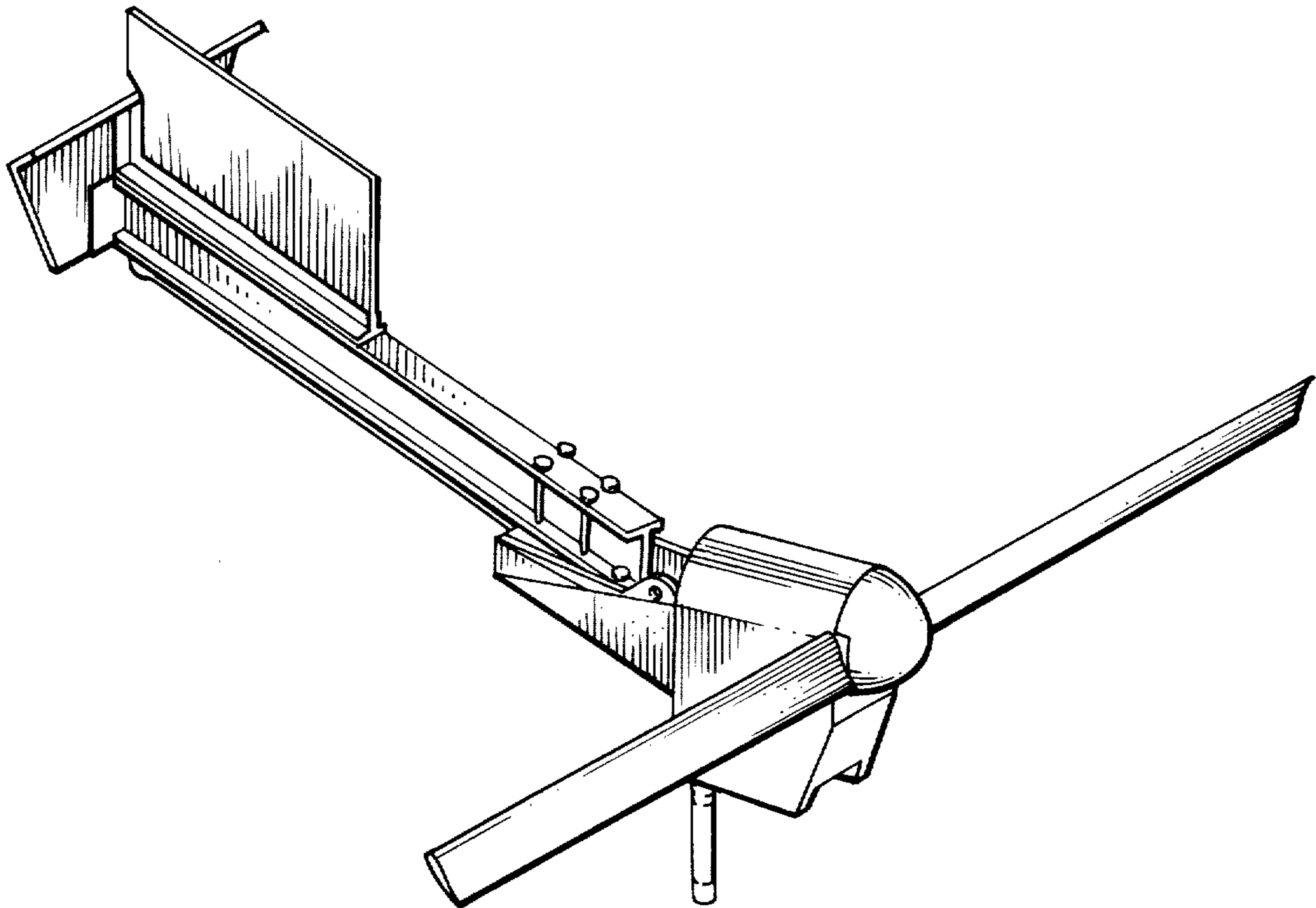
*Primary Examiner*—James M. Gandy  
*Attorney, Agent, or Firm*—Jacque L. Meister

[57] **CLAIM**

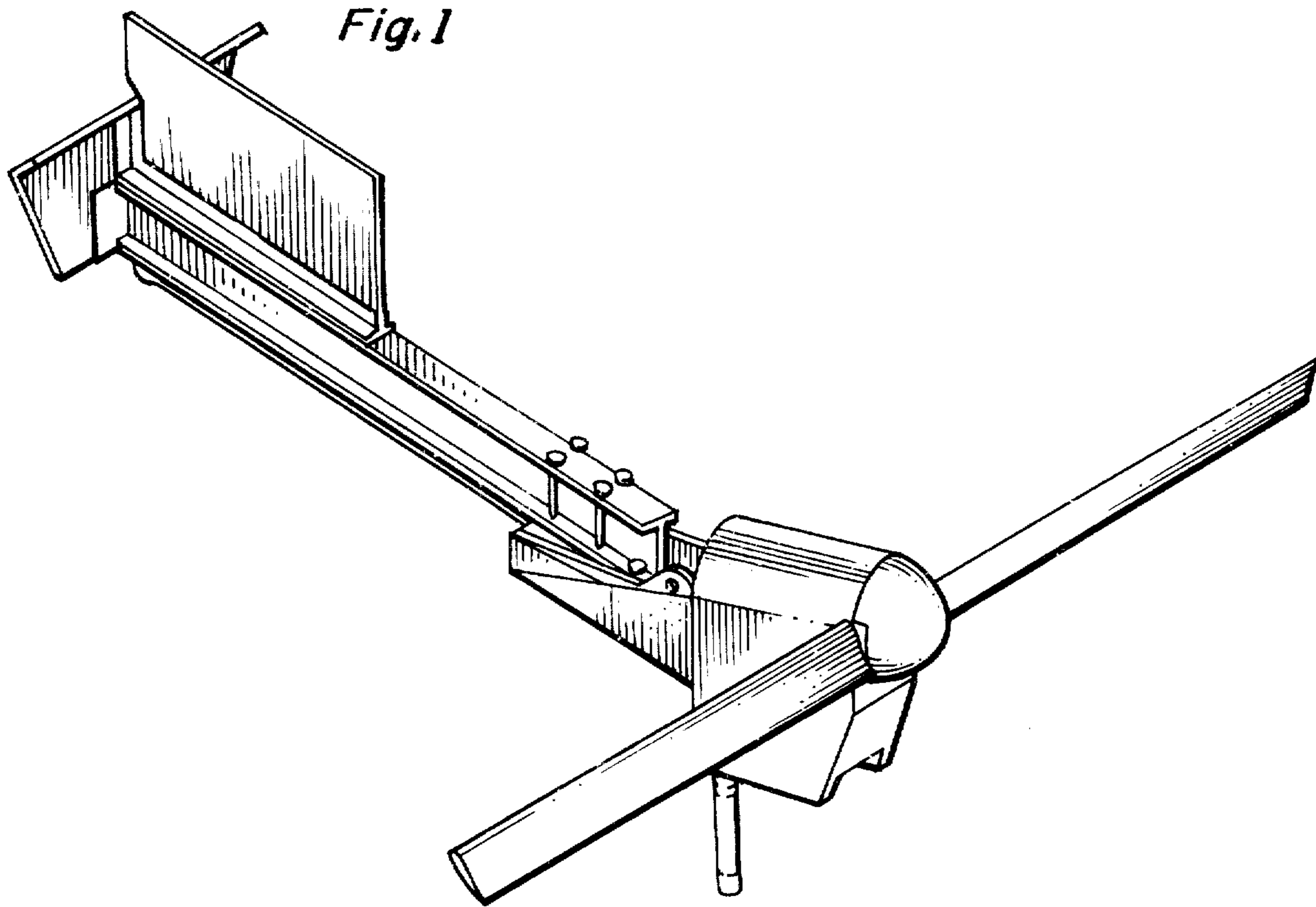
The ornamental design for a wind turbine, substantially as shown and described.

**DESCRIPTION**

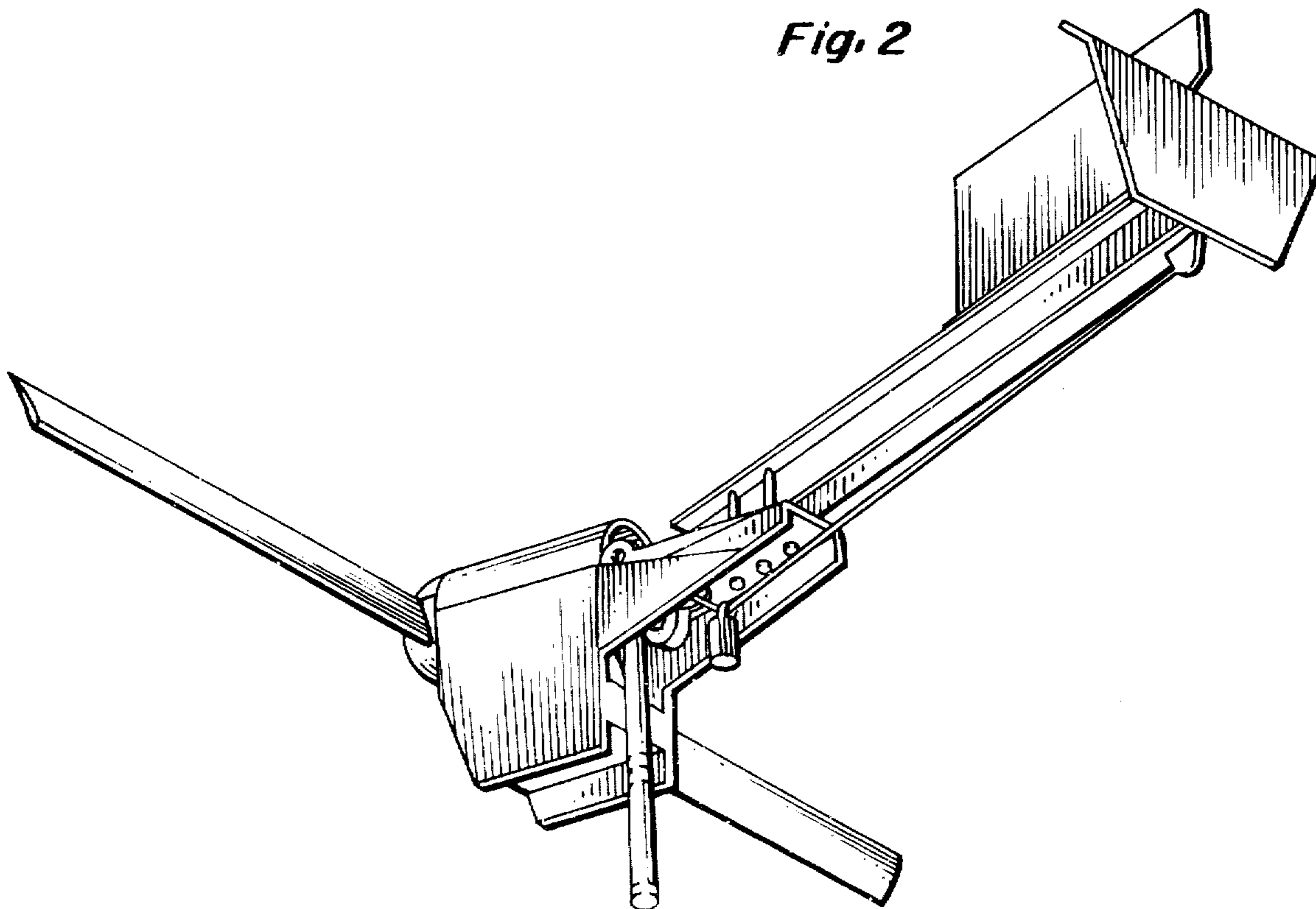
FIG. 1 is a top, front perspective view of a wind turbine showing my new design;  
FIG. 2 is a bottom, rear perspective view thereof, and  
FIG. 3 is a bottom, rear perspective view thereof taken from the side opposite to that shown in FIG. 2.



*Fig. 1*



*Fig. 2*



*Fig. 3*

