

[54] **COMBINED CIRCUIT CONNECTOR AND SWITCHING MODULE**

[75] Inventor: **Nils G. Jonsson**, Dunwoody, Ga.

[73] Assignee: **National Service Industries, Inc.**, Atlanta, Ga.

[**] Term: **14 Years**

[21] Appl. No.: **248,967**

[22] Filed: **Mar. 30, 1981**

[51] **Int. Cl.** **D13-03**

[52] **U.S. Cl.** **D13/24; D13/32**

[58] **Field of Search** **D13/24, 32; 179/1 PC; 339/17 C, 17 CF, 17 M, 18 R, 18 B, 176, 176 M, 176 MP, 20, 61, 29, 64, 119, 75 MP, 154 R, 154 A, 151 R, 157, 196 R, 196 M, 195 R, 156 R, 198 R, 198 G**

[56] **References Cited**

U.S. PATENT DOCUMENTS

D. 234,141	1/1975	McGrane	D13/24
3,538,489	11/1970	Bennett et al.	339/198
3,683,101	8/1972	Lieberman	
3,715,627	2/1973	D'Ausilio	
3,719,768	3/1973	Jonsson	
3,743,925	7/1973	Bossi	339/29 X
3,745,515	7/1973	Michaels	

3,852,701	12/1974	Minitz
3,963,300	6/1976	Patton et al.
4,001,571	1/1977	Martin
4,146,287	3/1979	Jonsson

Primary Examiner—Susan J. Lucas
Attorney, Agent, or Firm—Emch, Schaffer & Schaub Co.

[57] **CLAIM**

The ornamental design for a combined circuit connector and switching module, as shown and described.

DESCRIPTION

FIG. 1 is a front elevational view of a combined circuit connector and switching module showing my new design;

FIG. 2 is a bottom view of the combined circuit connector and switching module of FIG. 1;

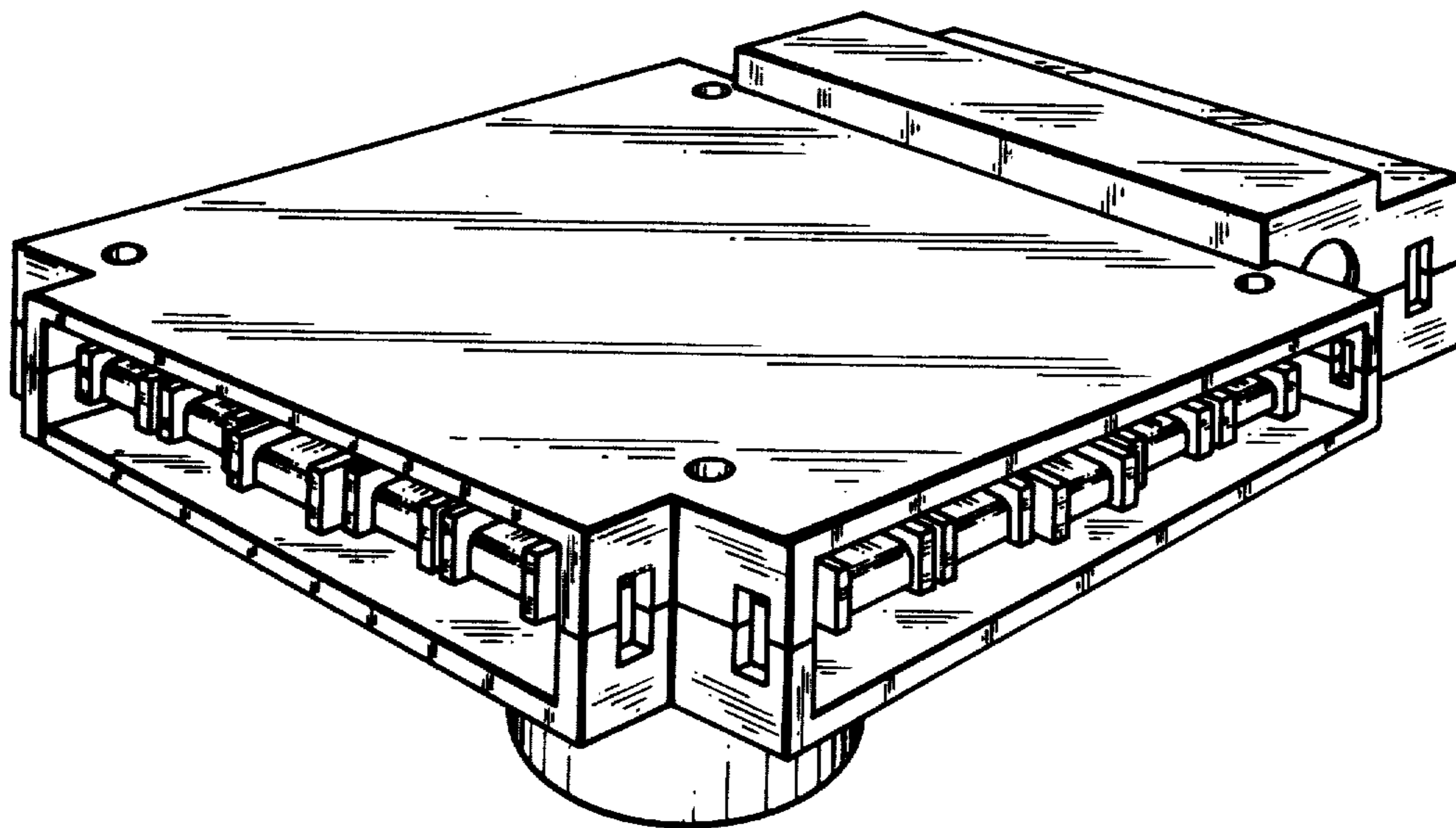
FIG. 3 is a right side view of the combined circuit connector and switching module of FIG. 1;

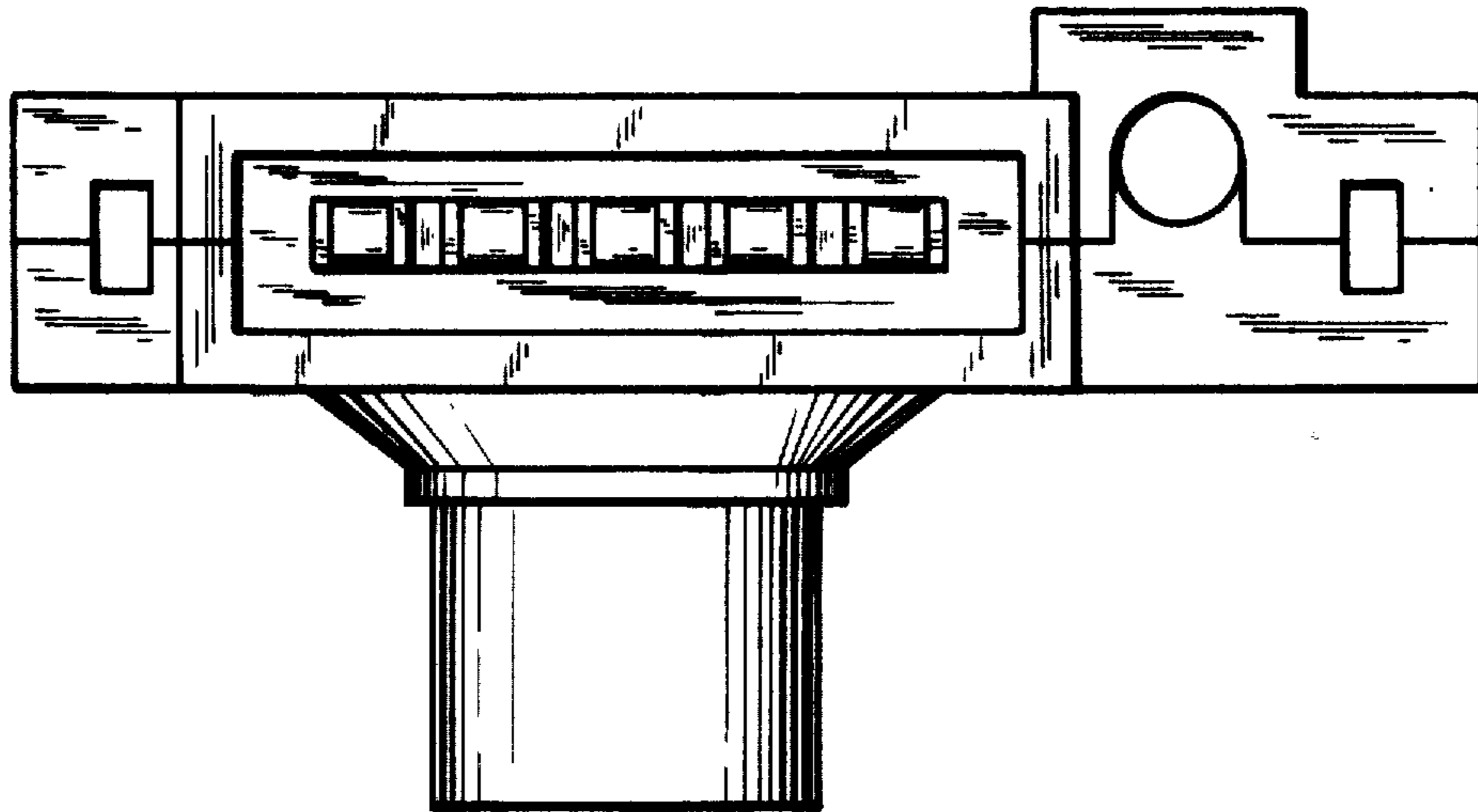
FIG. 4 is a back side view of the combined circuit connector and switching module of FIG. 1;

FIG. 5 is a left side view of the combined circuit connector and switching module of FIG. 1; and

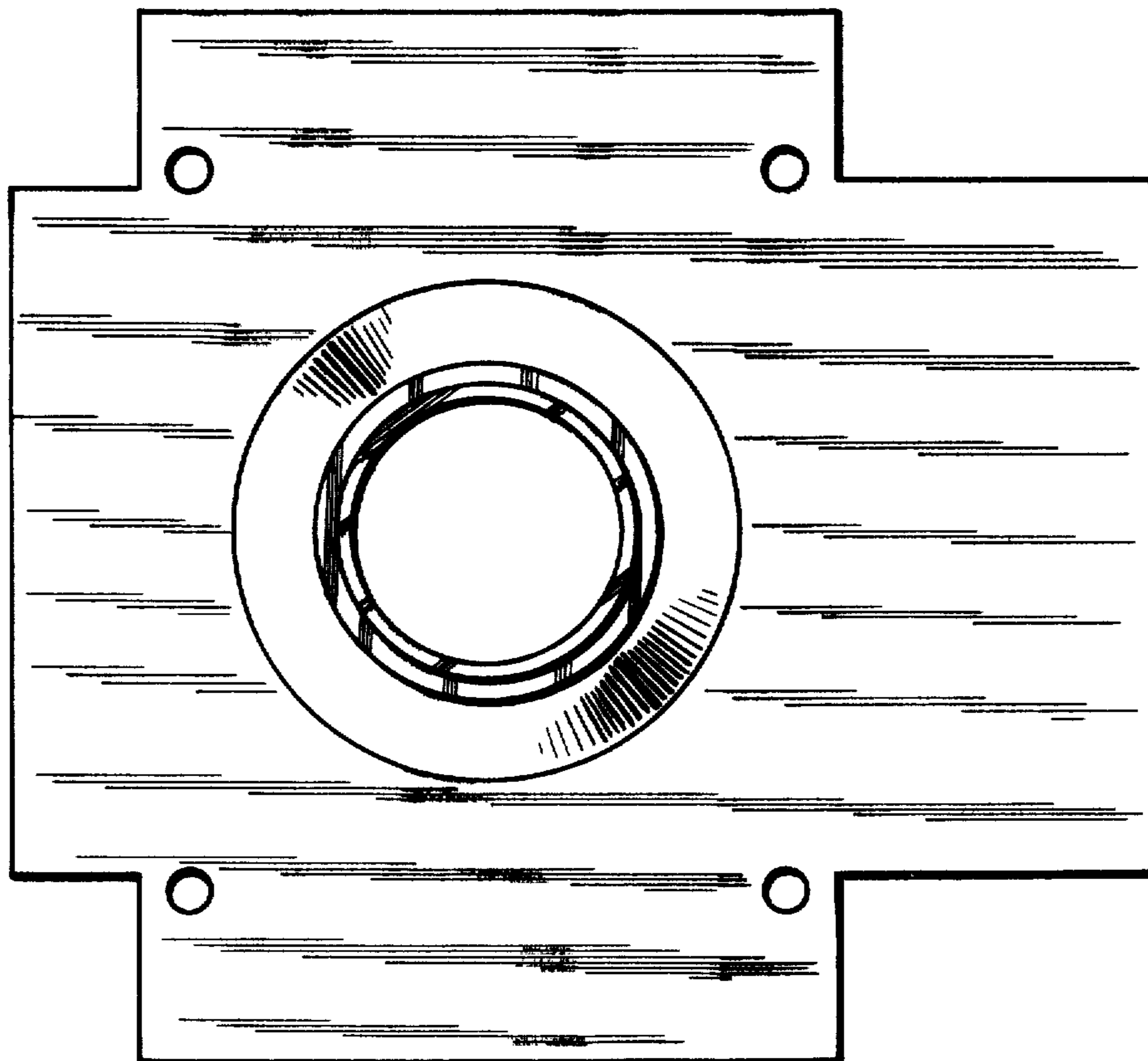
FIG. 6 is a top plan view of the combined circuit connector and switching module of FIG. 1.

FIG. 7 is a perspective view taken from the front and left sides of the combined circuit connector and switching module as shown in FIGS. 1 and 5.





—FIG. 1



—FIG. 2

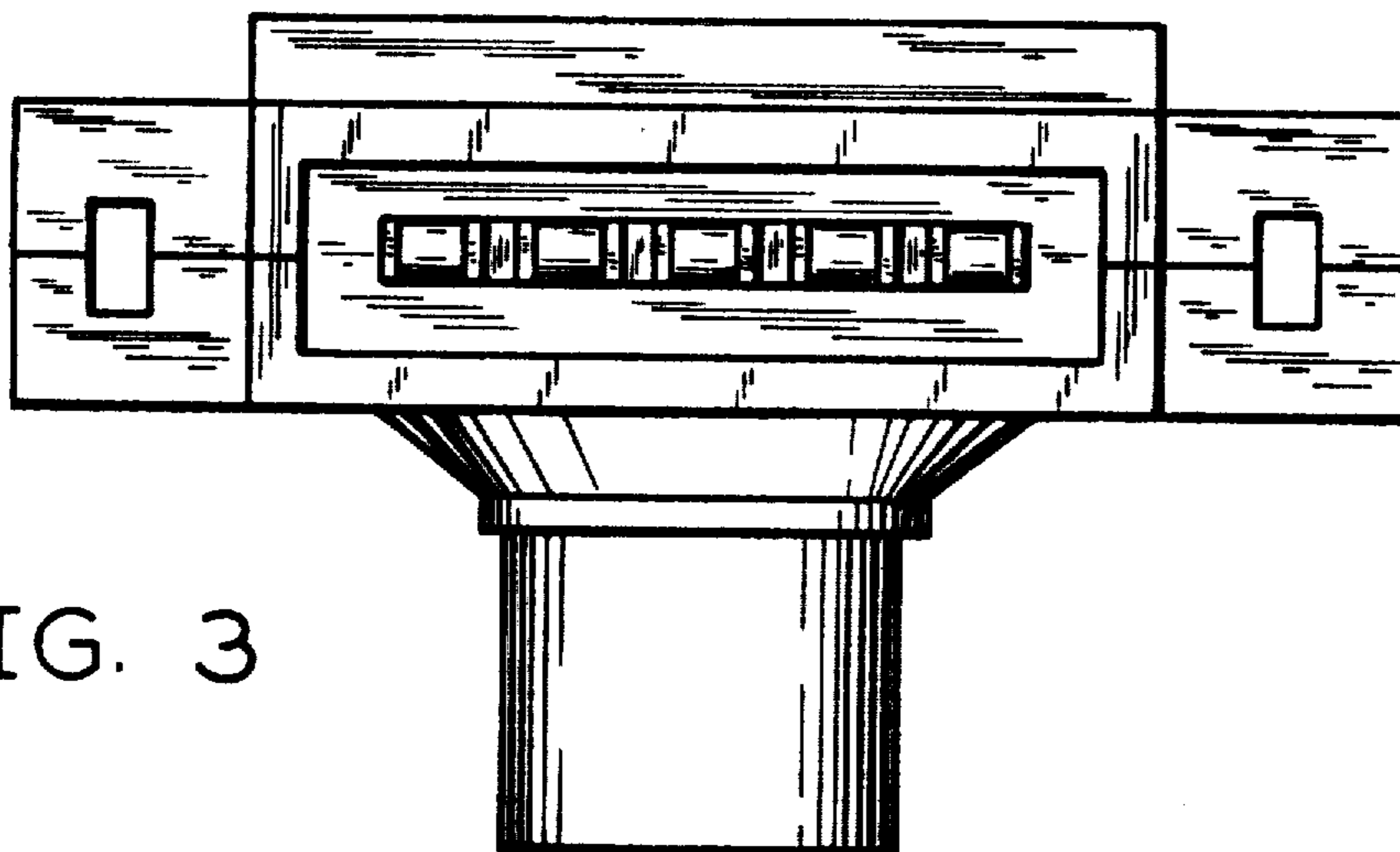


FIG. 3

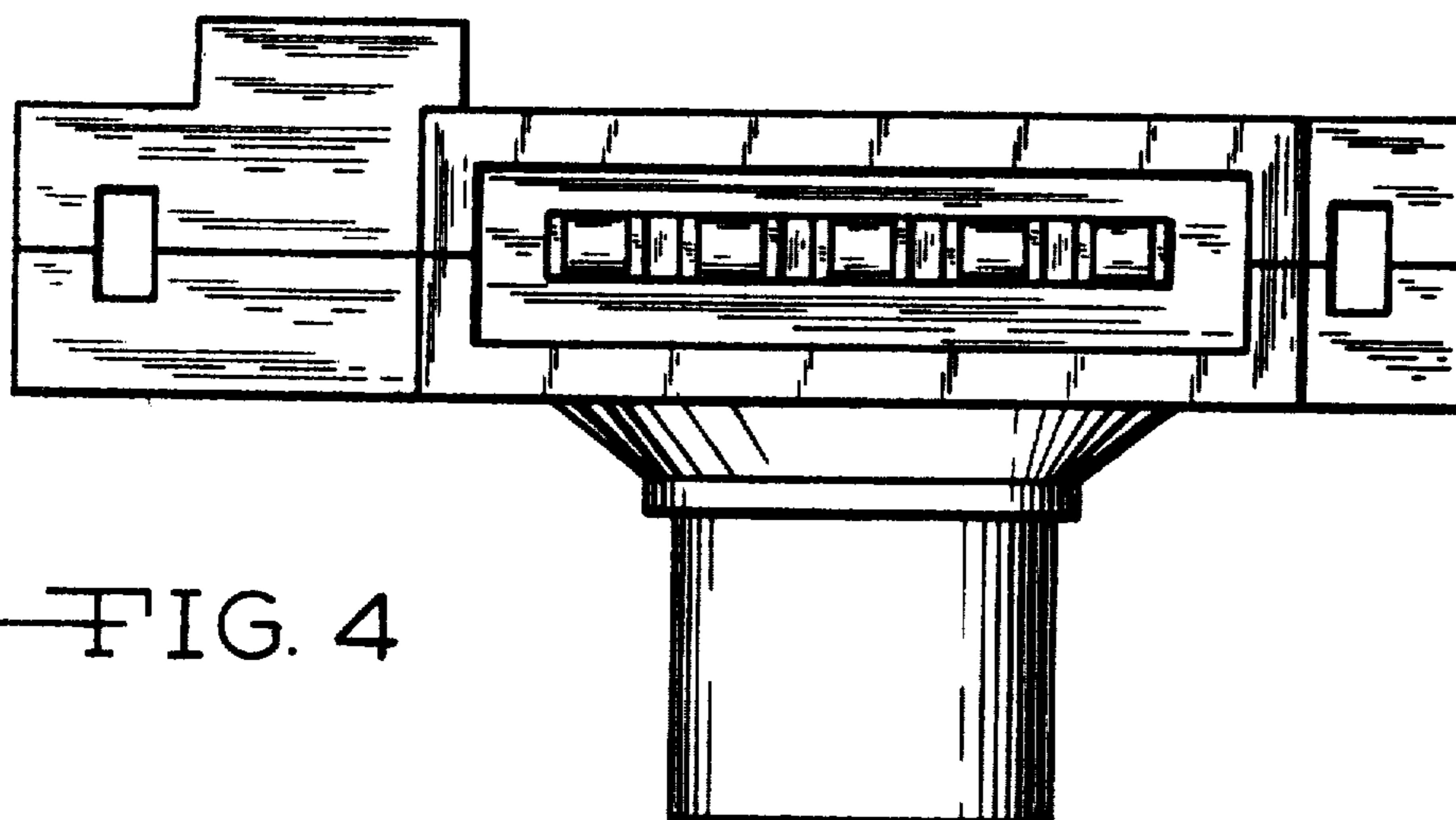


FIG. 4

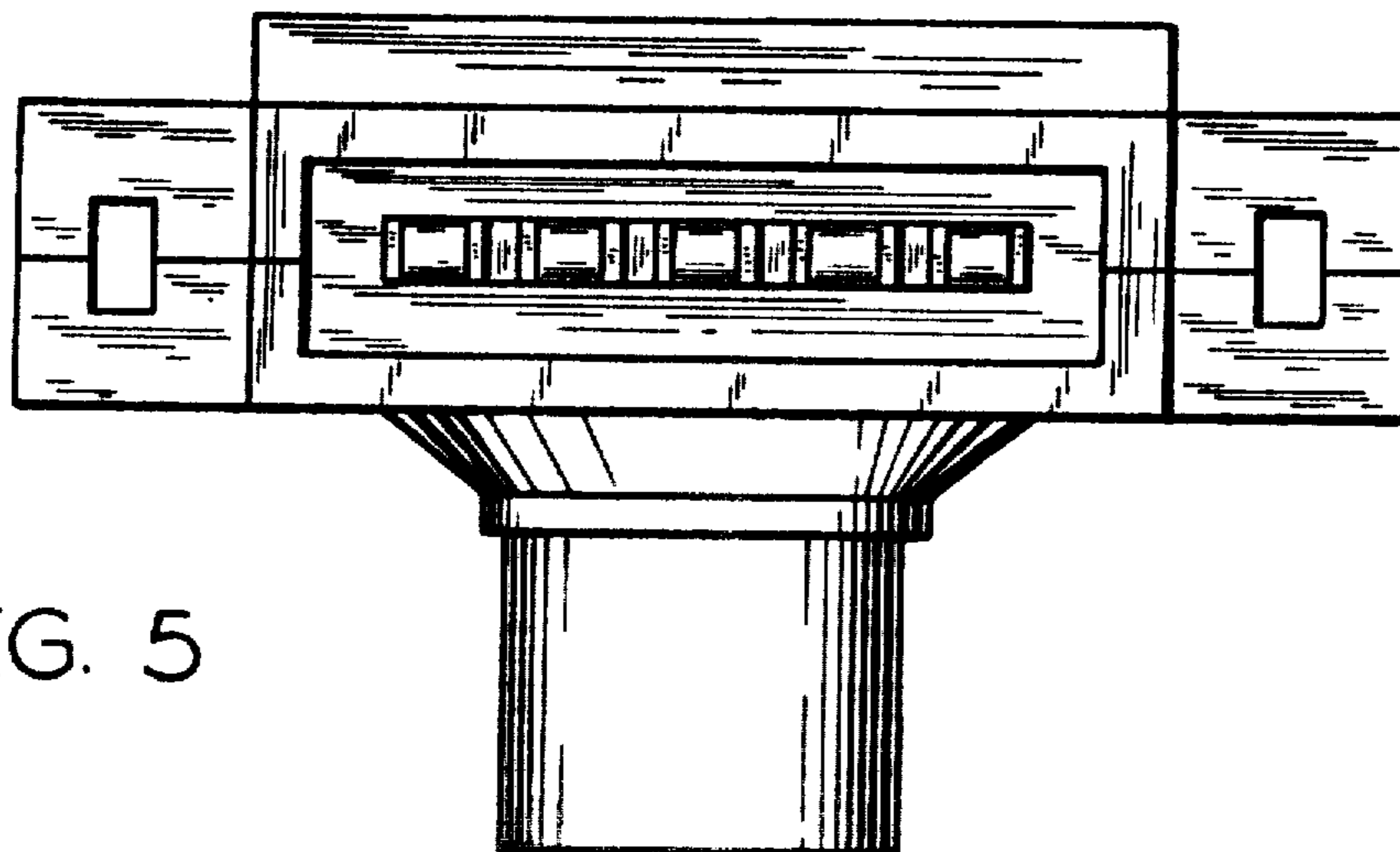
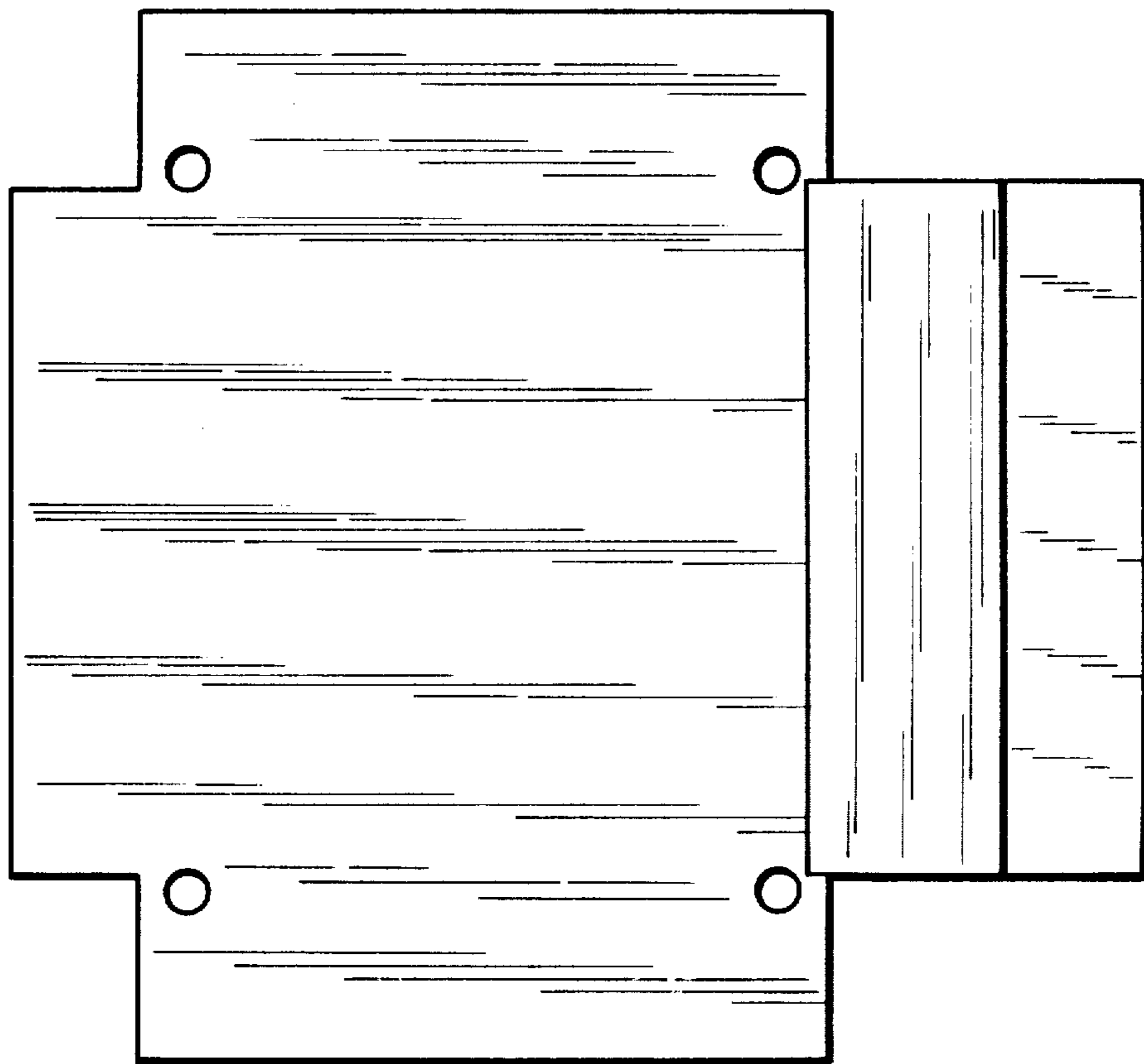
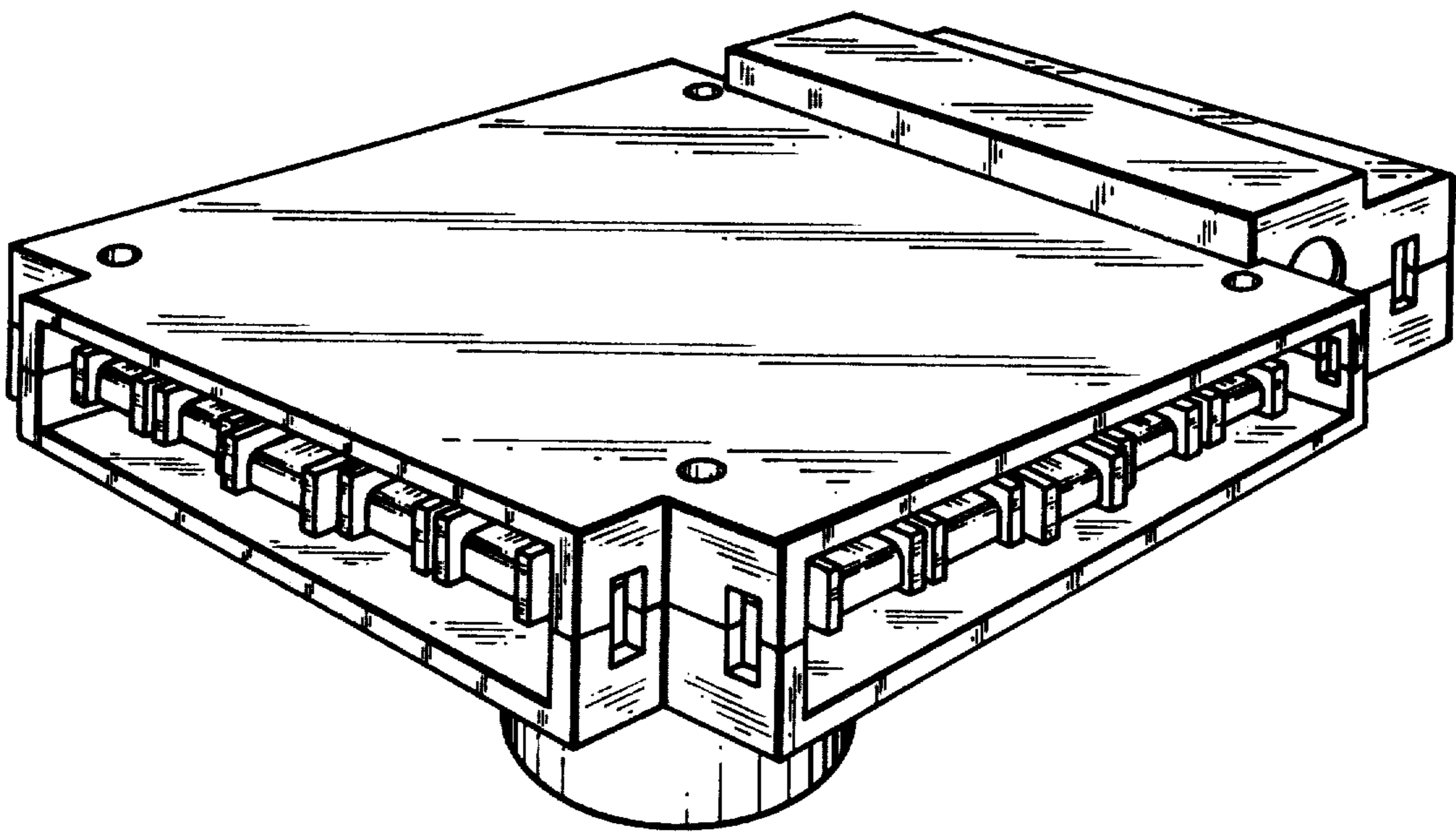


FIG. 5



—FIG. 6



— FIG. 7