

[54] **COMBINED INTEGRATED CIRCUIT PACKAGE CARRIER AND SOCKET**

3,831,131 8/1974 Woodcock et al. .... 339/17 CF X  
3,907,394 9/1975 Barnes ..... 339/17 CF X  
4,176,751 12/1979 Gillissie ..... 206/328 X

[75] Inventors: **James C. Jones**, Georgetown; **James A. Emerson**, Pekin, both of Ind.

*Primary Examiner*—Susan J. Lucas  
*Attorney, Agent, or Firm*—Woodard, Weikart, Emhardt & Naughton

[73] Assignee: **Robinson-Nugent, Inc.**, New Albany, Ind.

[57] **CLAIM**

[\*\*] Term: **14 Years**

The ornamental design for combined integrated circuit package carrier and socket, as shown and described.

[21] Appl. No.: **236,669**

**DESCRIPTION**

[22] Filed: **Feb. 23, 1981**

FIG. 1 is a top plan view of combined integrated circuit package carrier and socket, showing our new design.  
FIG. 2 is a left side elevational view thereof.  
FIG. 3 is a bottom plan view thereof.  
FIG. 4 is a right side elevational view thereof.  
FIG. 5 is a front elevational view thereof.  
FIG. 6 is a rear elevational view thereof.  
FIG. 7 is an isometric view thereof looking generally downward.  
FIG. 8 is an isometric view thereof on a reduced scale looking generally upward.

[51] Int. Cl. .... **D13-03**

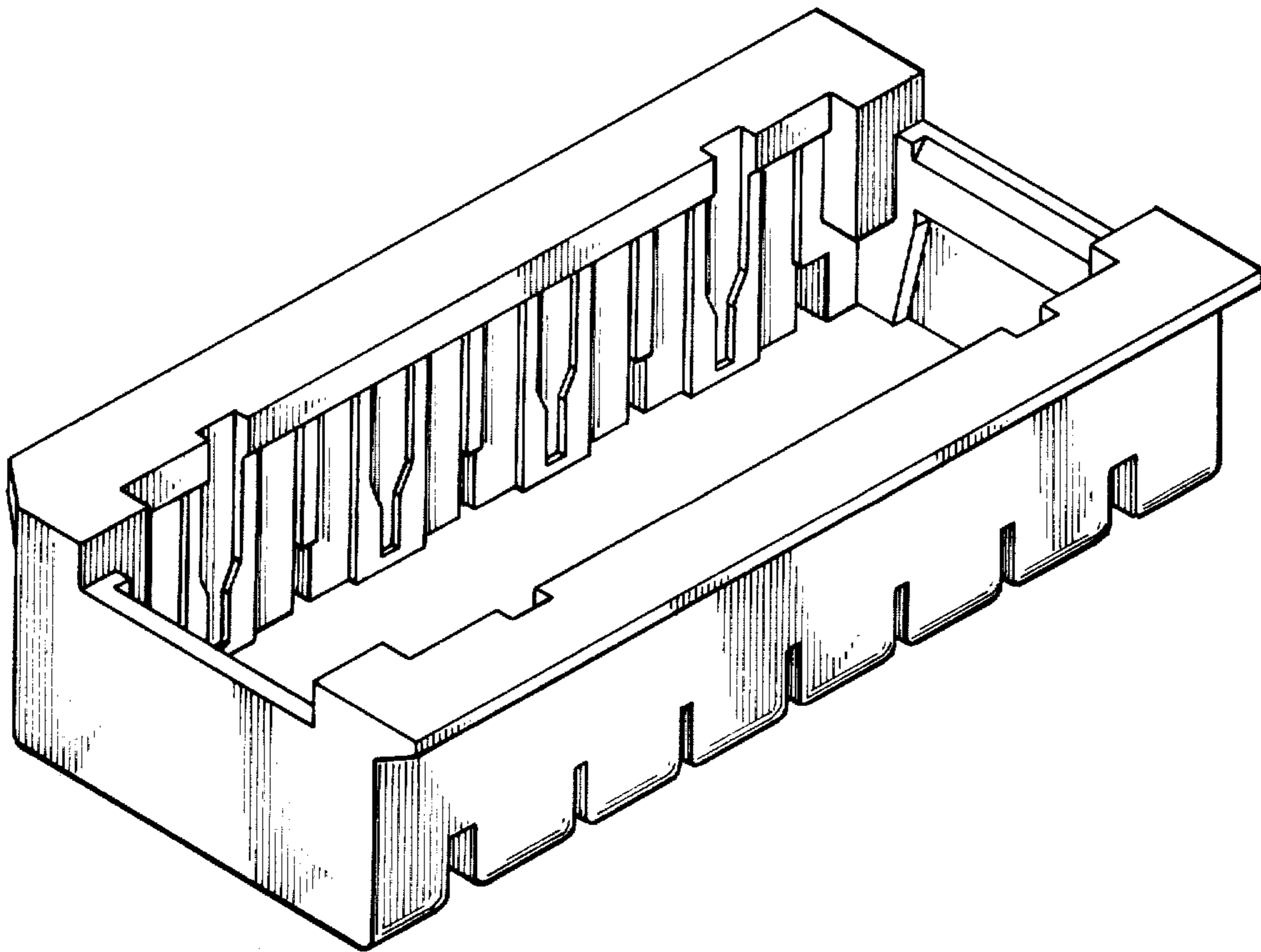
[52] U.S. Cl. .... **D13/24**

[58] Field of Search ..... D13/24, 99; 206/335; 361/331; 339/17 C, 17 CF, 17 M, 18 R, 18 B, 75 MF, 176; D9/414, 424, 456

[56] **References Cited**

**U.S. PATENT DOCUMENTS**

3,480,902 11/1969 Barnes et al. .... 339/17 CF



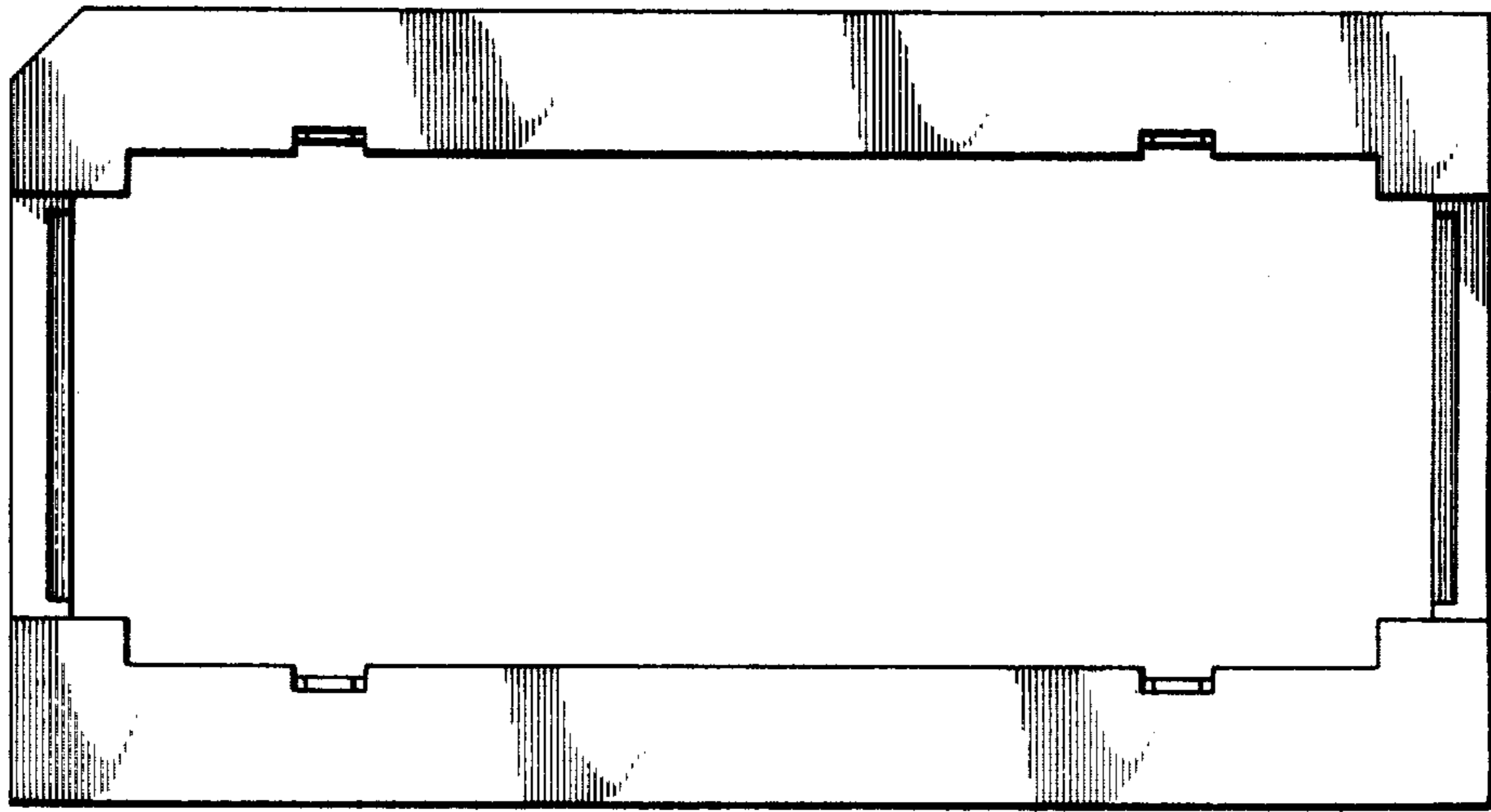


FIG. 1

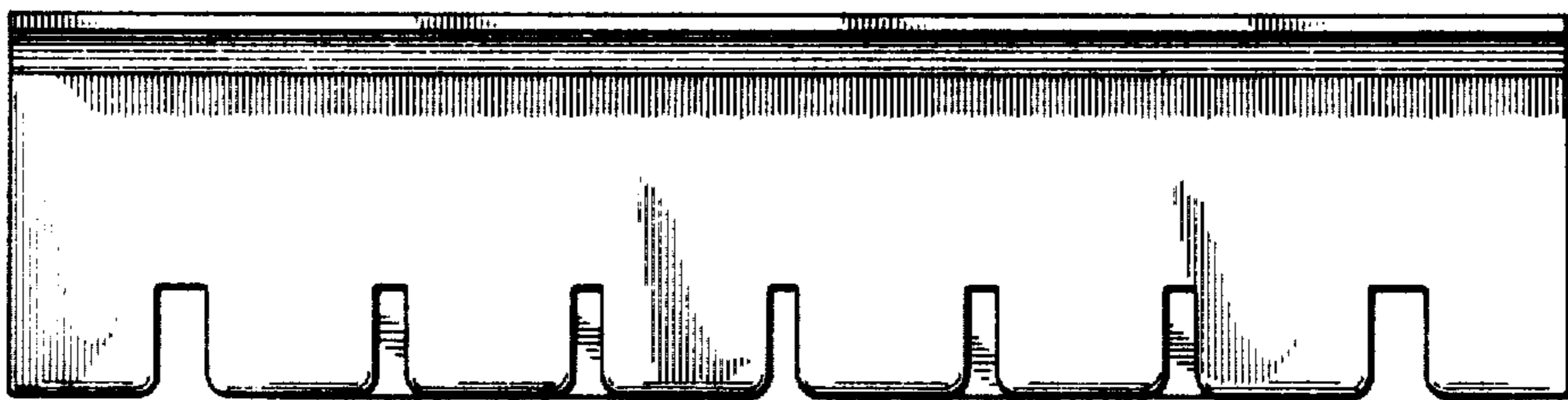


FIG. 2

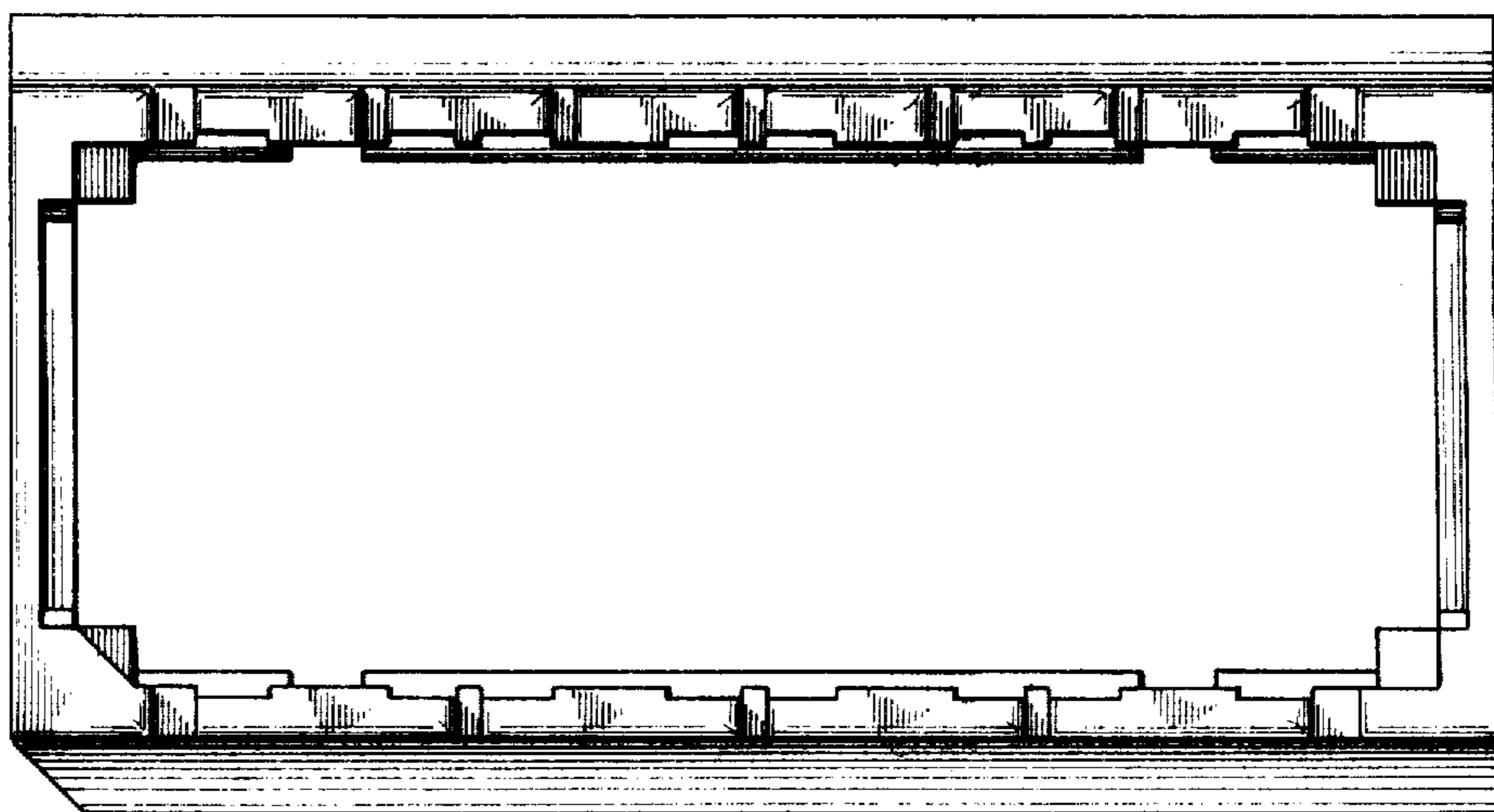


FIG. 3

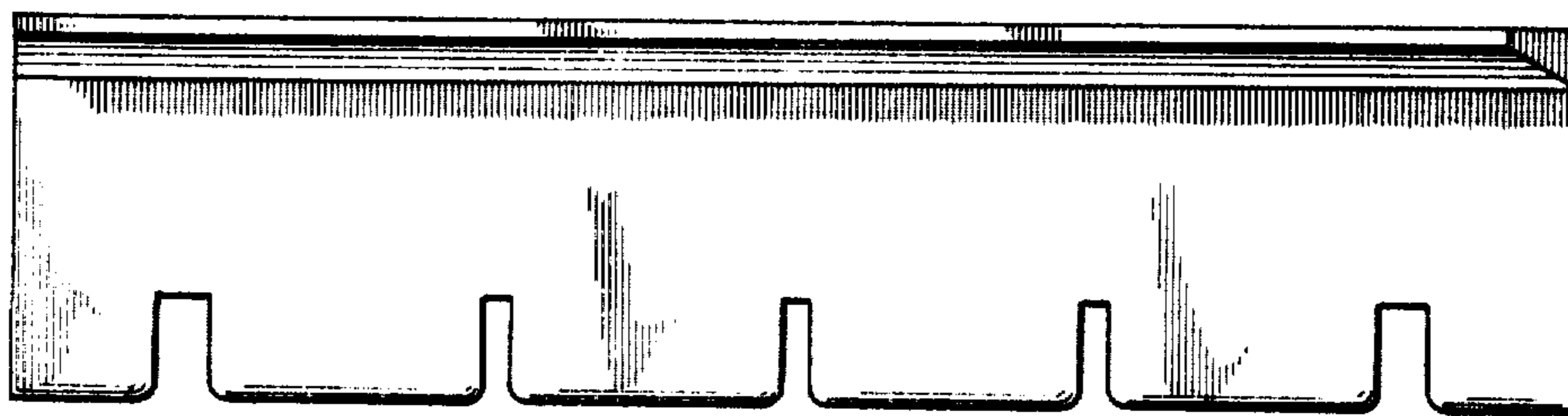


FIG. 4

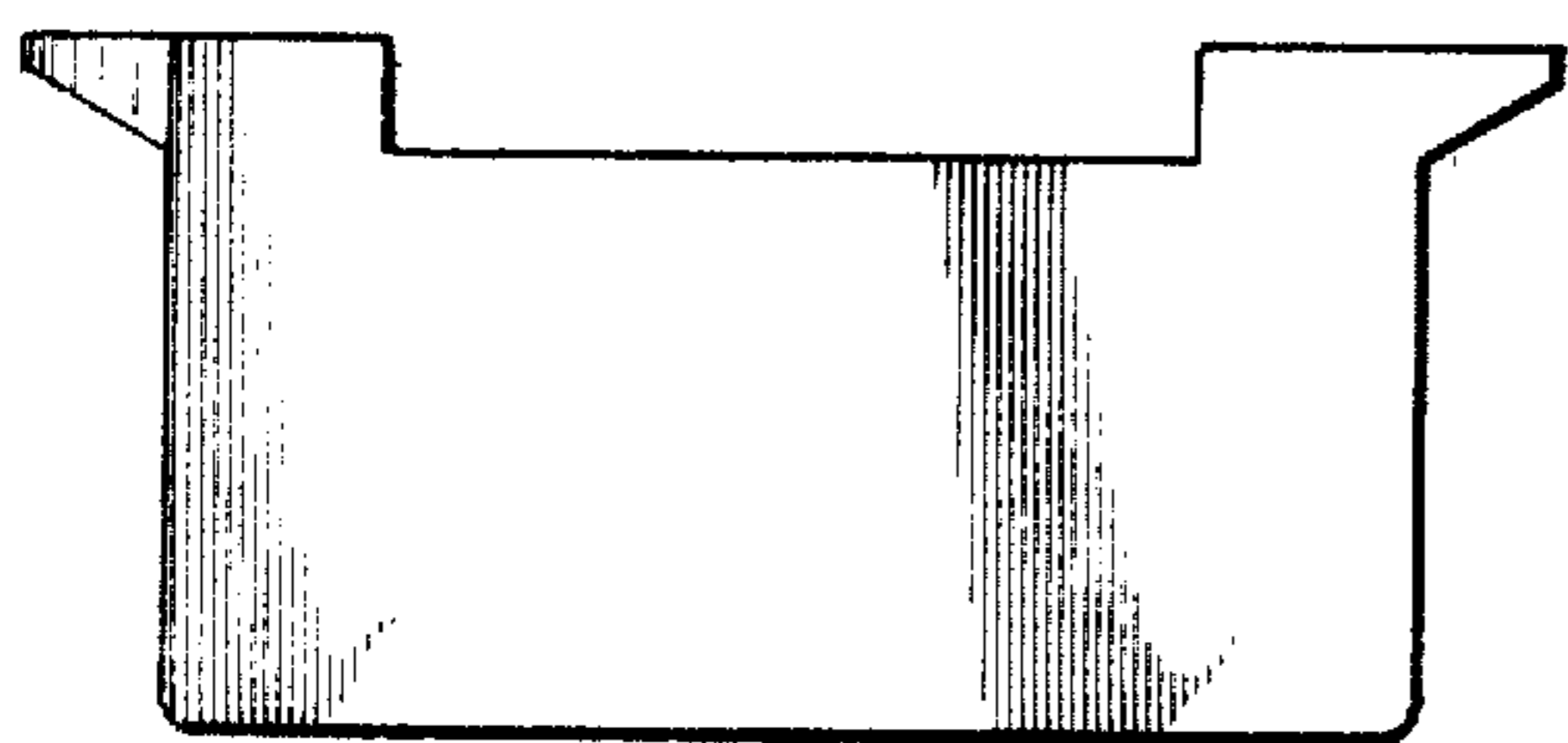


FIG. 5

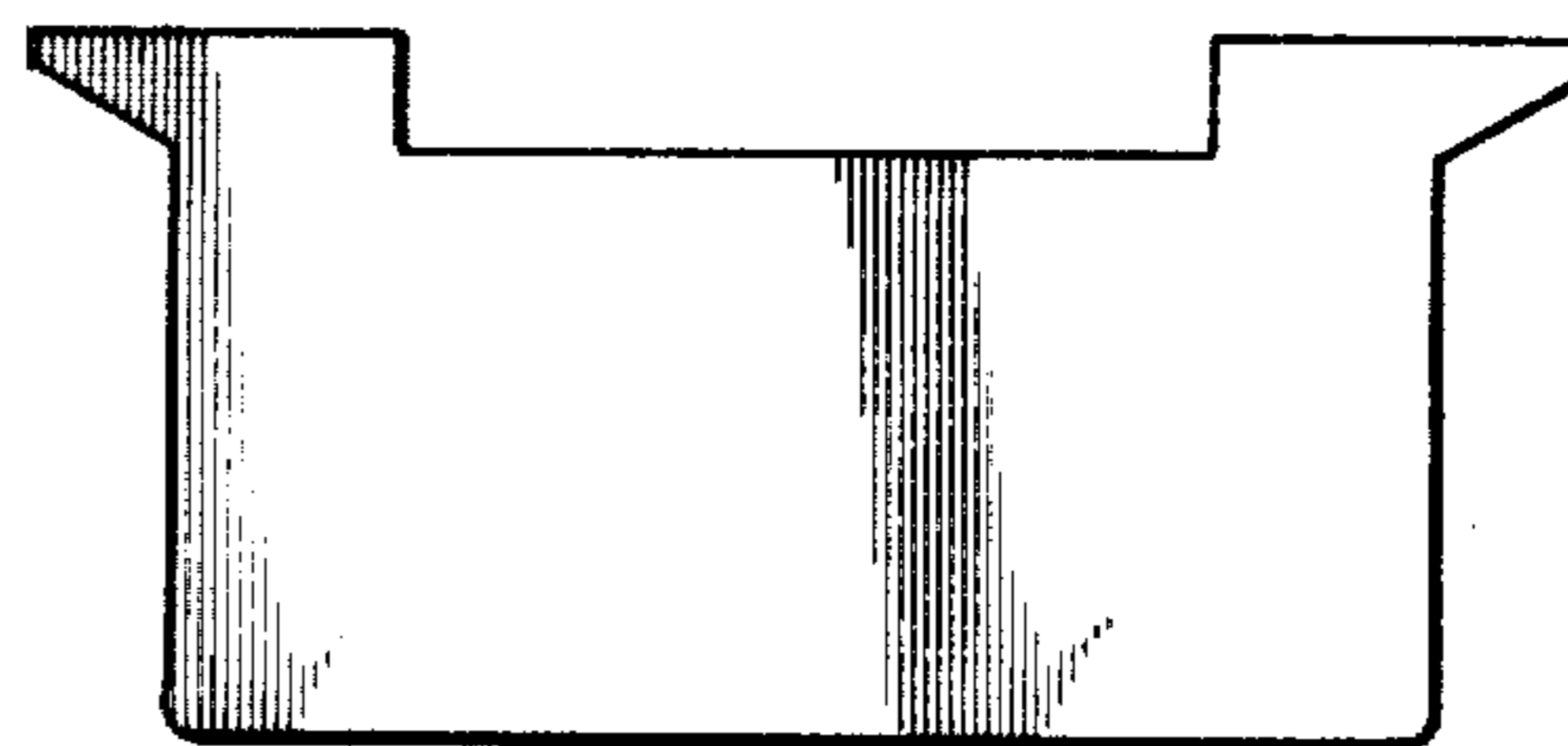


FIG. 6

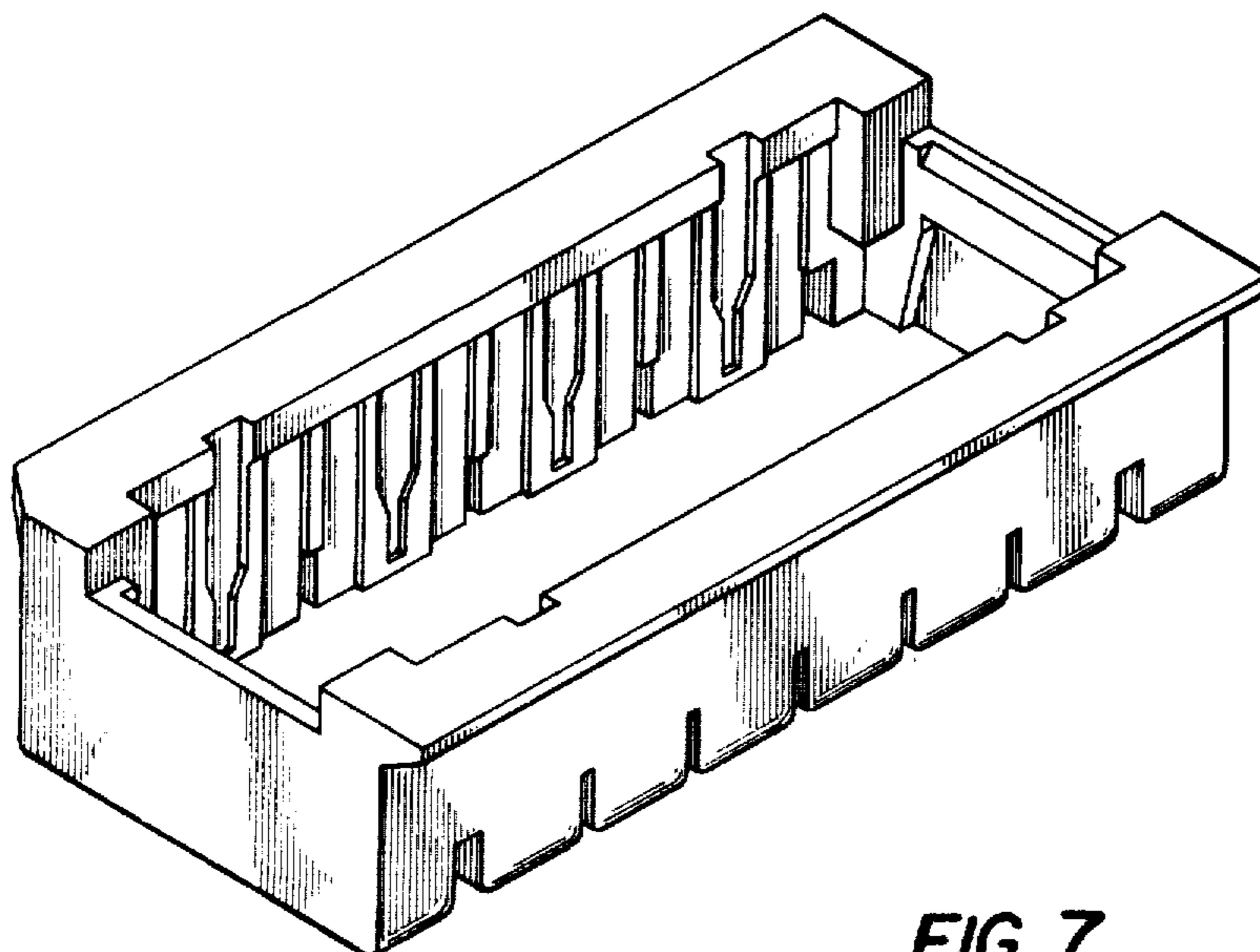
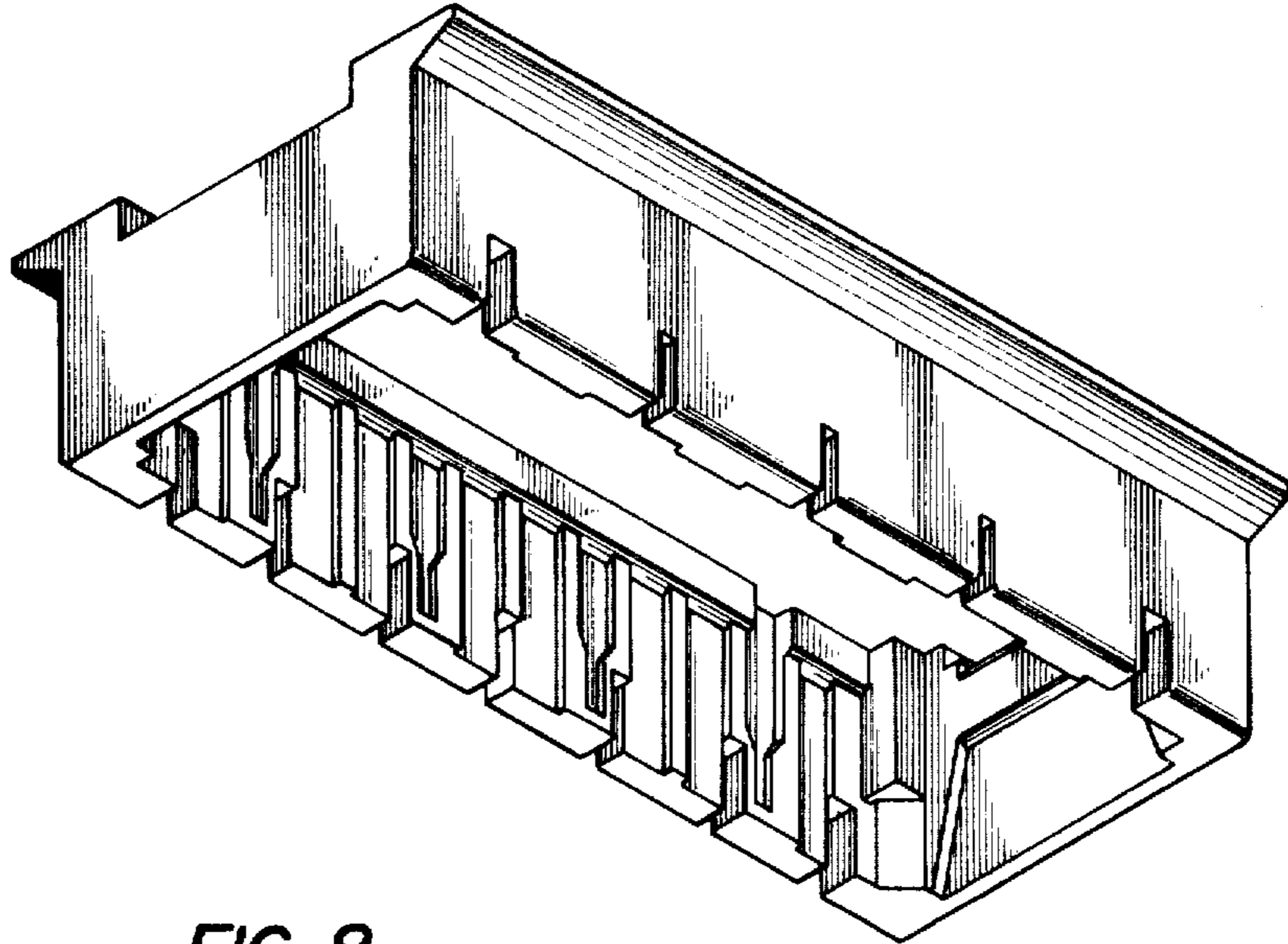


FIG. 7



**FIG. 8**