

[54] COMBINED TELEPHONE CONNECTOR BLOCK AND CIRCUIT PROTECTOR

[75] Inventors: Paul V. De Luca, Plandome Manor; Thomas A. Hollfelder, Huntington, both of N.Y.

[73] Assignee: Porta Systems, Corp., Syosset, N.Y.

[**] Term: 14 Years

[21] Appl. No.: 175,341

[22] Filed: Aug. 4, 1980

[51] Int. Cl. D13-03

[52] U.S. Cl. D13/24

[58] Field of Search D14/52, 59, 99; D13/24, D13/11; 339/97 P, 98, 198 R, 198 G, 198 H, 18 R; 179/98, 1 PC; 361/117, 119

[56] References Cited

U.S. PATENT DOCUMENTS

3,538,480 11/1970 Urani 339/198 R X
3,760,328 9/1973 Georgopoulos 339/198 R X

Primary Examiner—Susan J. Lucas
Attorney, Agent, or Firm—Charles E. Temko

[57] CLAIM

The ornamental design for a combined telephone connector block and circuit protector, substantially as shown and described.

DESCRIPTION

FIG. 1 is a front elevational view of a combined telephone connector block and circuit protector showing our new design;
FIG. 2 is a side elevational view thereof;
FIG. 3 is a side elevational view thereof showing the side opposite that seen in FIG. 2;
FIG. 4 is a rear elevational view thereof;
FIG. 5 is a top plan view thereof; and
FIG. 6 is a bottom plan view thereof.
FIG. 7 is a perspective view thereof on an enlarged scale.

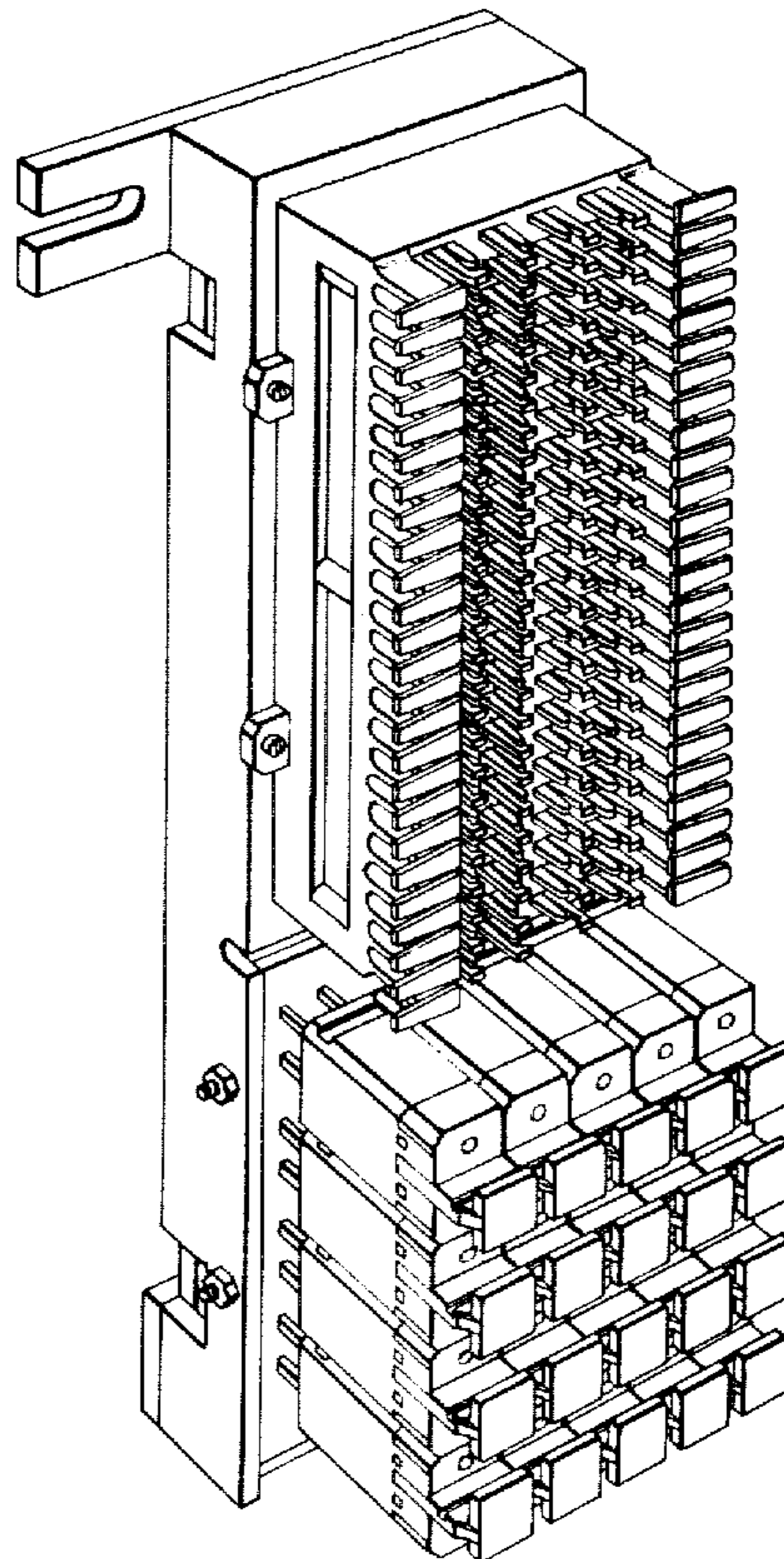


FIG. 1.

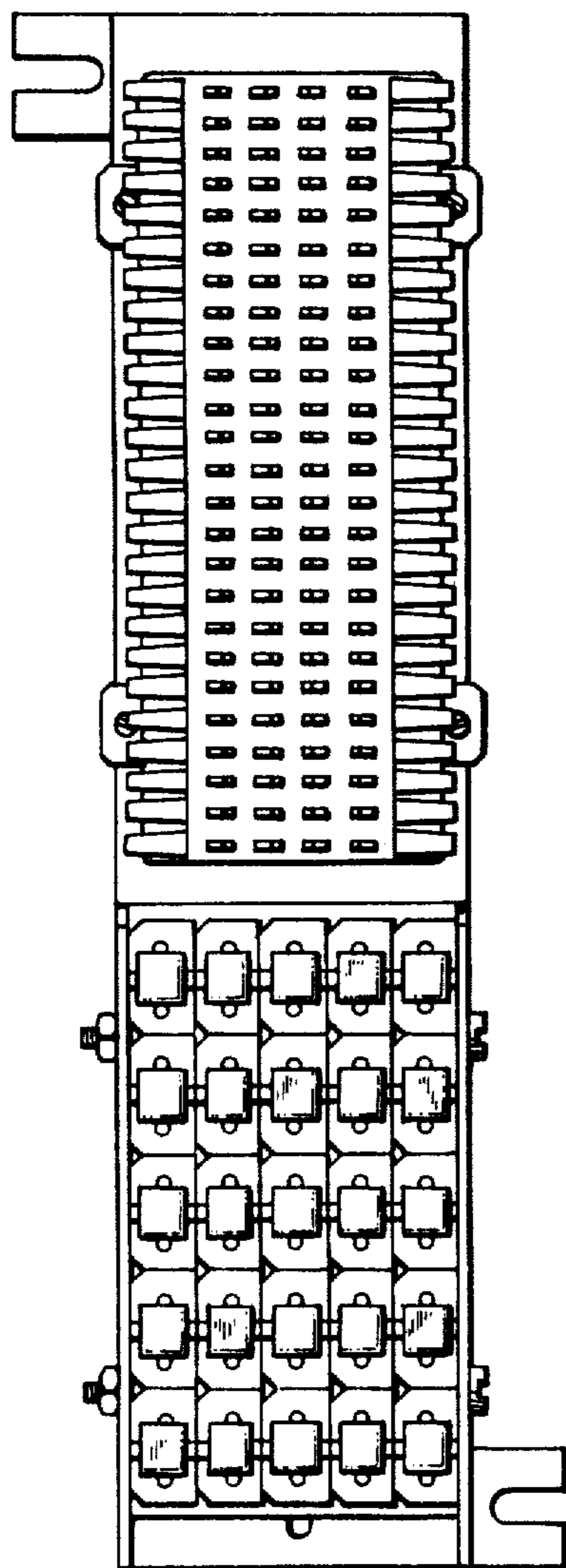


FIG. 2.

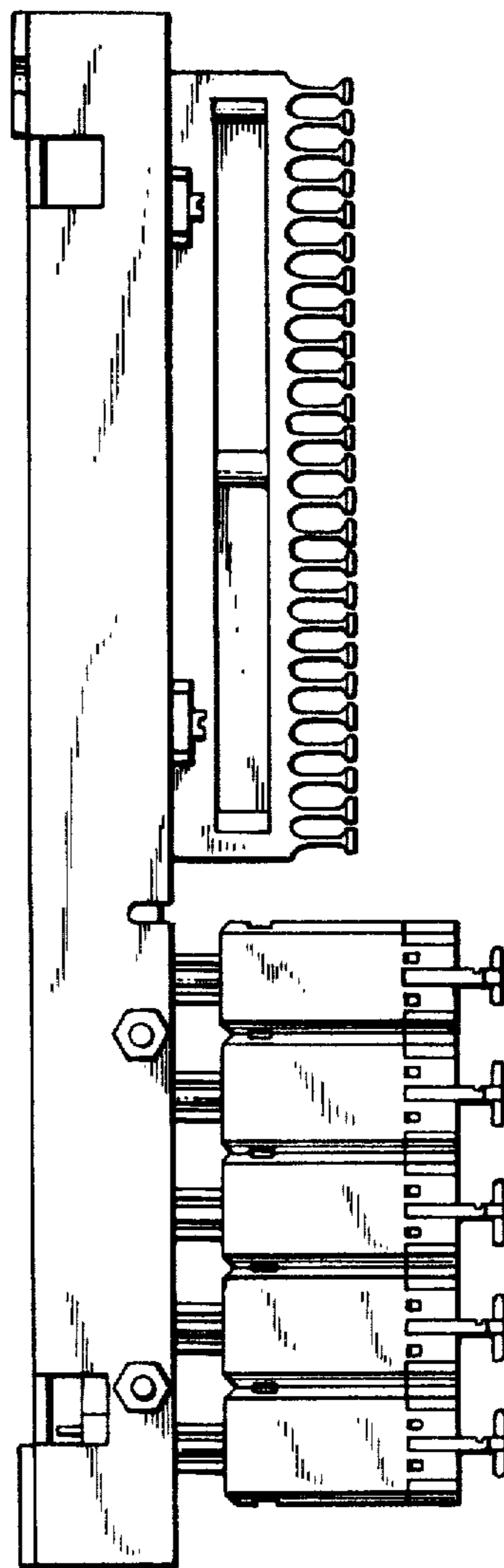


FIG. 3.

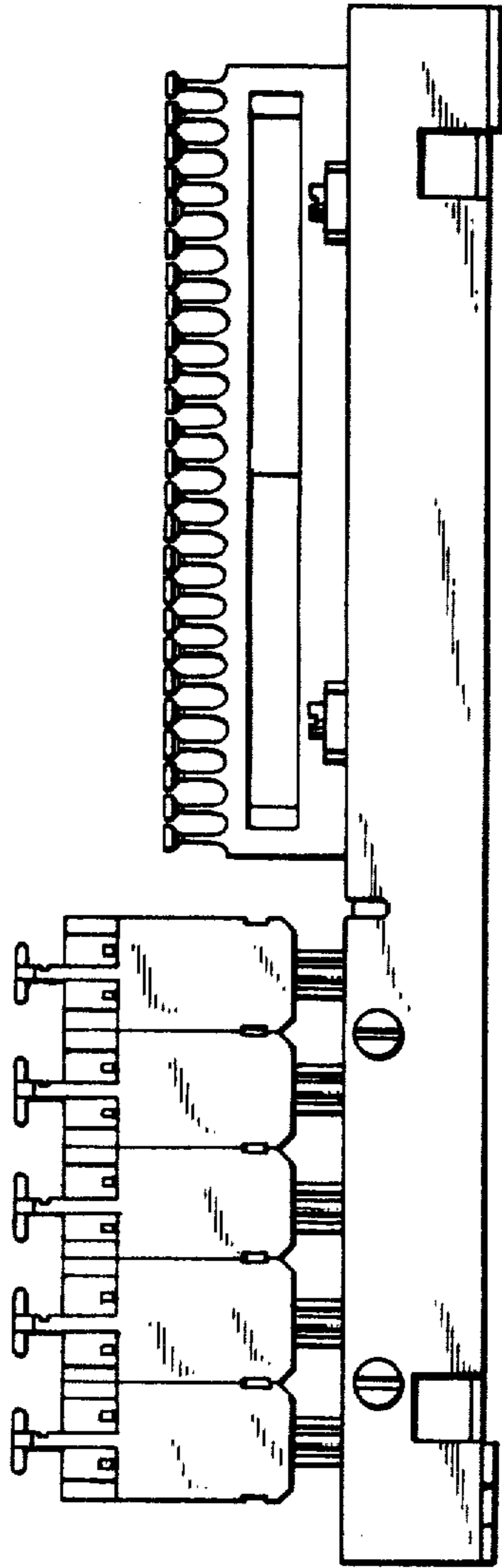


FIG. 4.

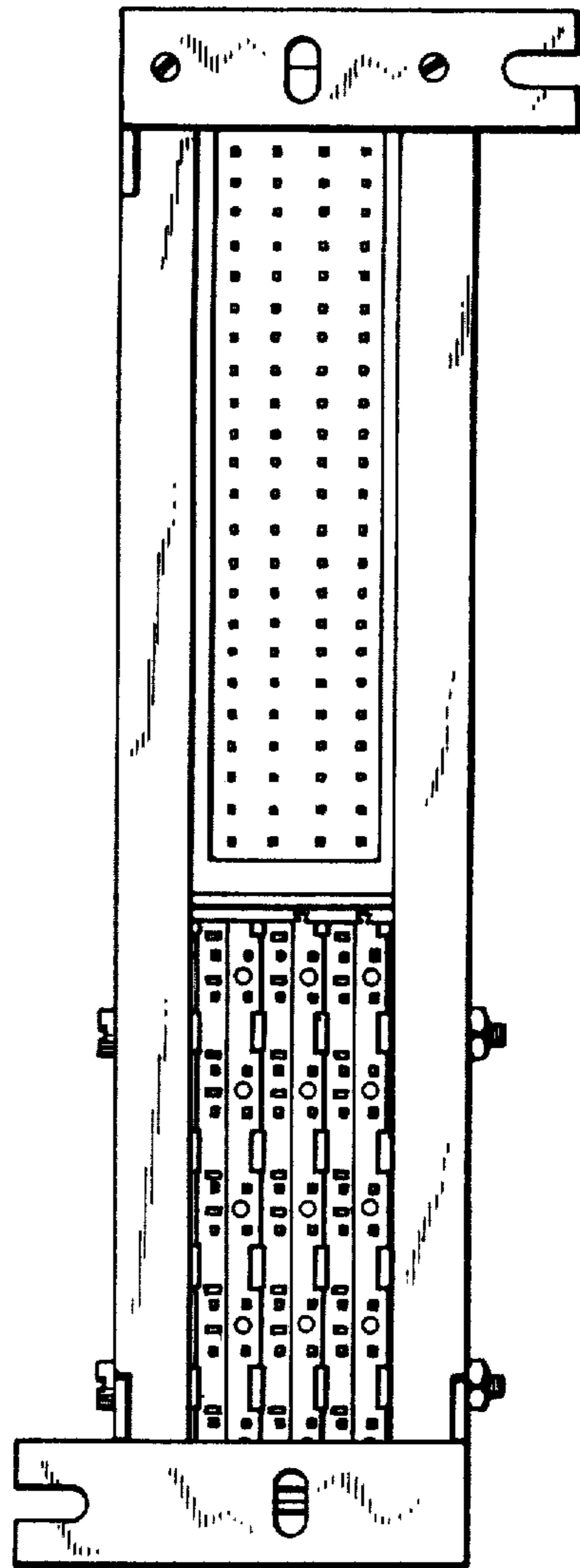


FIG. 5.

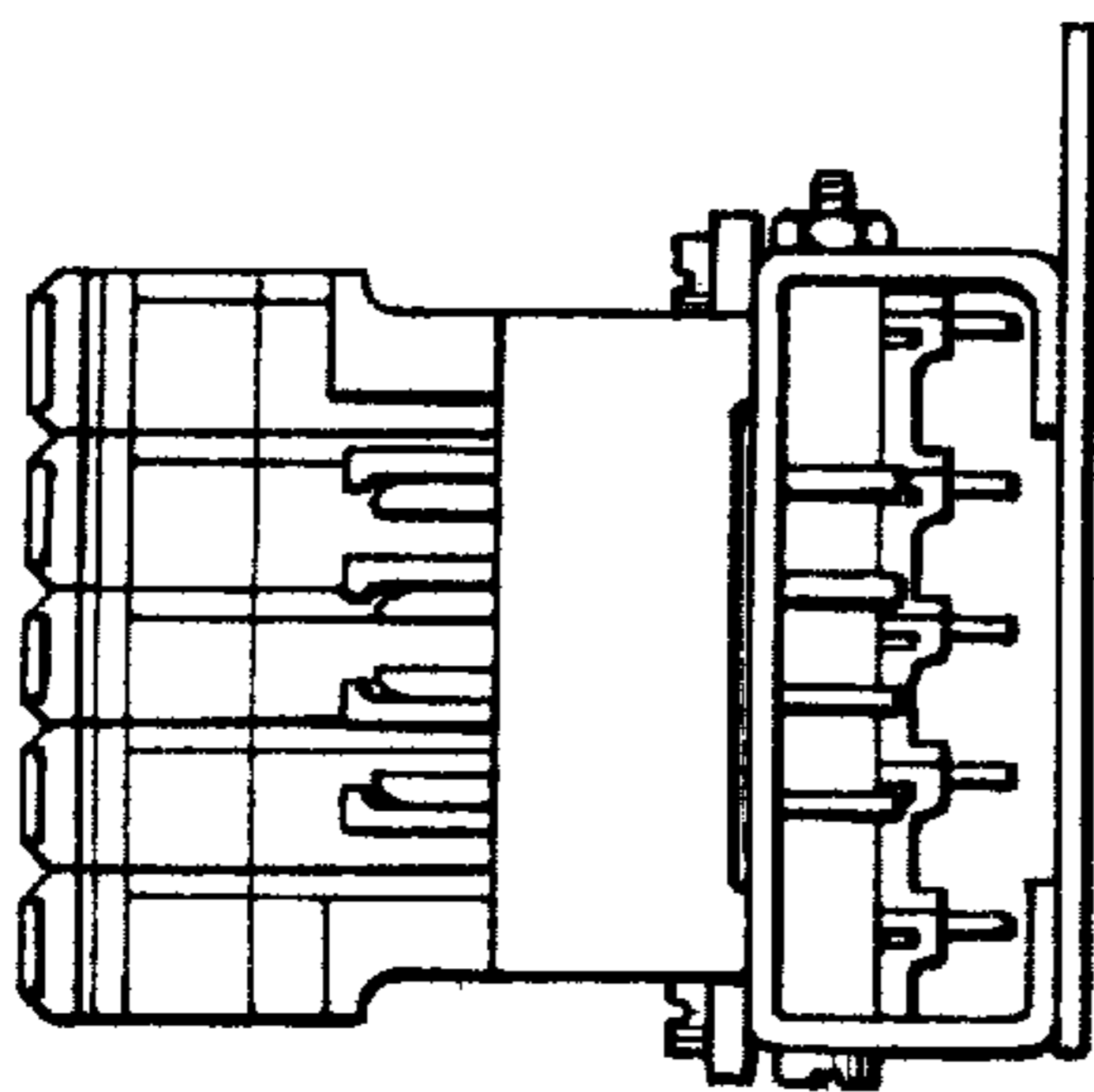


FIG. 6.

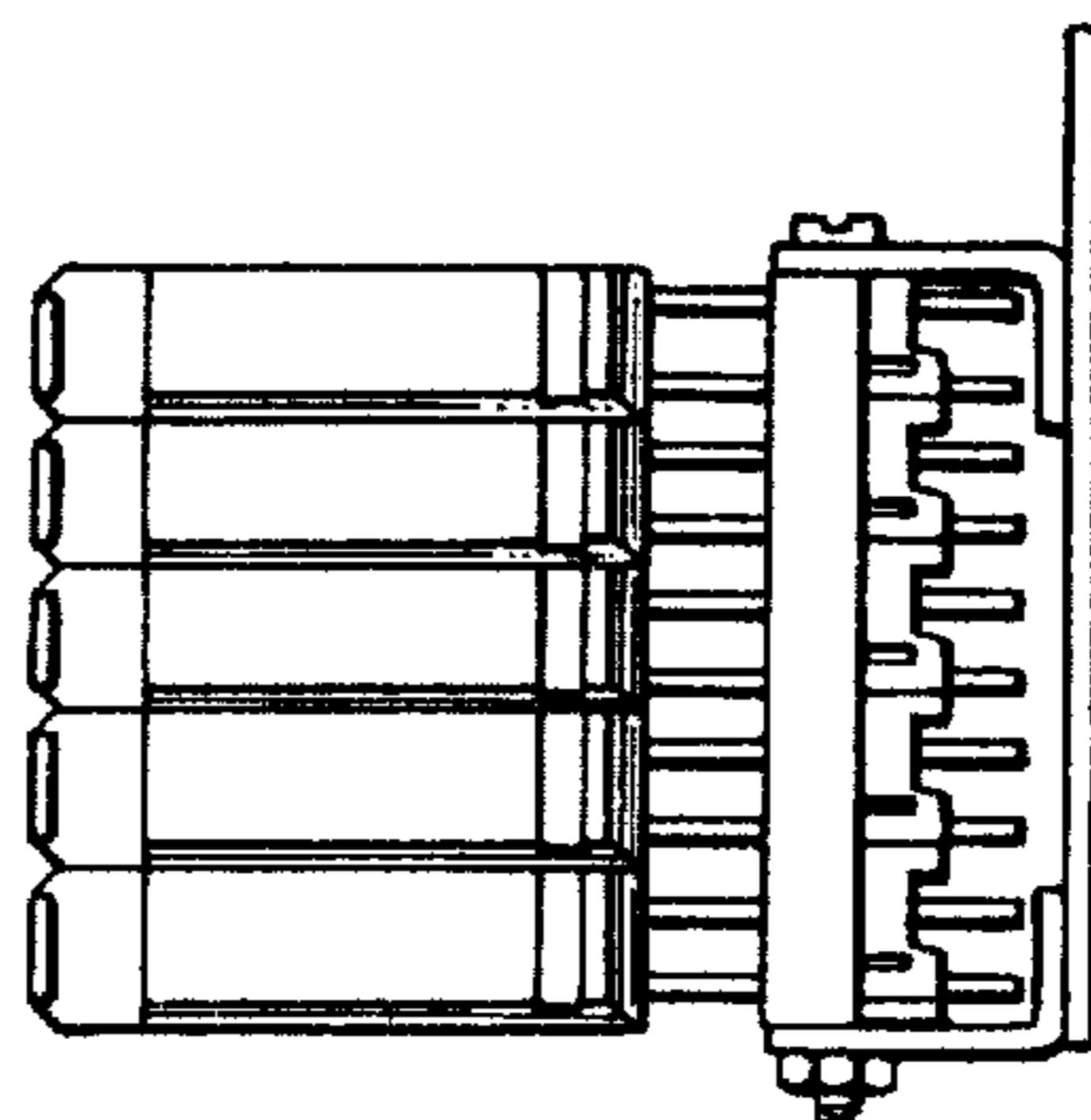


FIG. 7.

