

[54] AIRPLANE

[75] Inventor: Ernest D. Hauk, Yucca Valley, Calif.

[73] Assignee: Hawk Industries, Inc., Yucca Valley, Calif.

[**] Term: 14 Years

[21] Appl. No.: 250,072

[22] Filed: Apr. 1, 1981

[51] Int. Cl. D12-07

[52] U.S. Cl. D12/344

[58] Field of Search D12/319, 344; 244/45 A

[56] References Cited

U.S. PATENT DOCUMENTS

- D. 139,664 12/1944 Jensen D12/344
- D. 193,368 8/1962 Statler D12/344

FOREIGN PATENT DOCUMENTS

- 448794 2/1913 France 244/29

OTHER PUBLICATIONS

Interavia, vol. 20, 1965, p. 1887, (12/1965), Jul.-Dec., in lower left hand corner.

Interavia, vol. 20, 1965, p. 1208, Jul.-Dec., in left hand side, 2nd picture down, BN2.

Primary Examiner—Wallace R. Burke

Assistant Examiner—Suzanne N. Gitlin

Attorney, Agent, or Firm—Gausewitz, Carr, Rothenberg & Edwards

[57] CLAIM

The ornamental design for an airplane, substantially as shown.

DESCRIPTION

FIG. 1 is a perspective view of an airplane embodying my new design;

FIG. 2 is a top plan view thereof;

FIG. 3 is a front elevational view thereof;

FIG. 4 is a side elevational view thereof, illustrating the side not shown in FIG. 1;

FIG. 5 is a bottom plan view; and,

FIG. 6 is a rear elevational view.

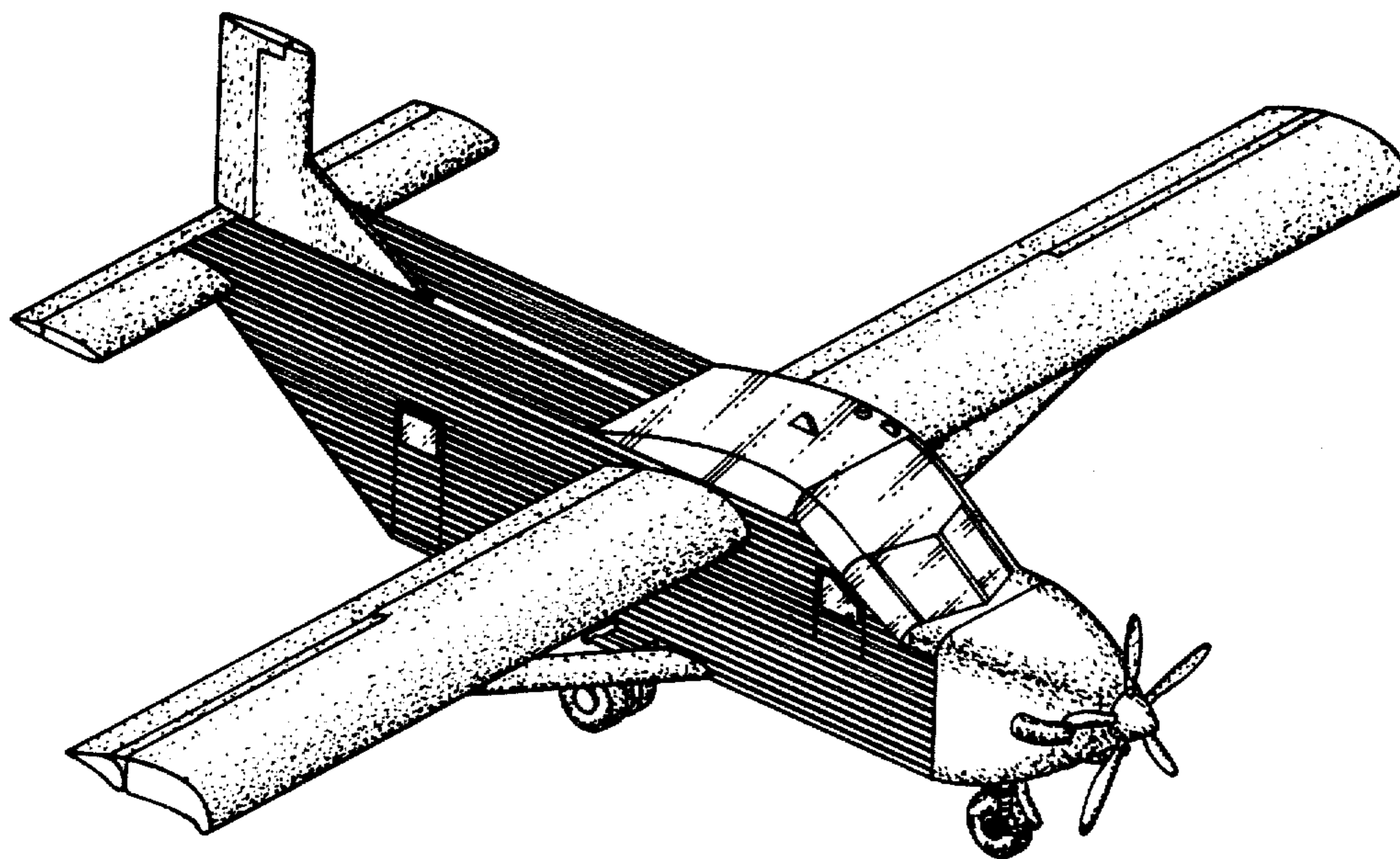


FIG. 1.

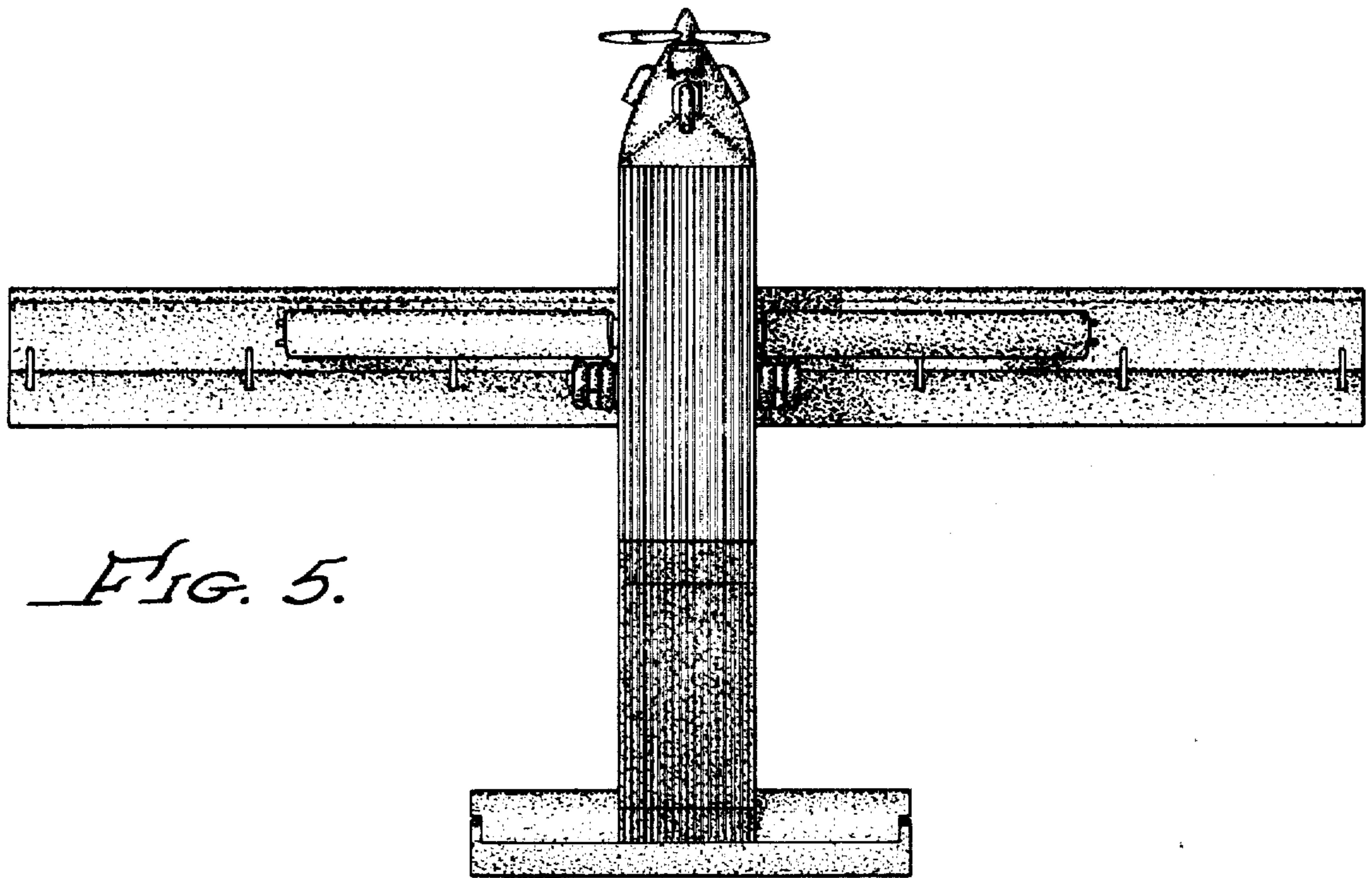
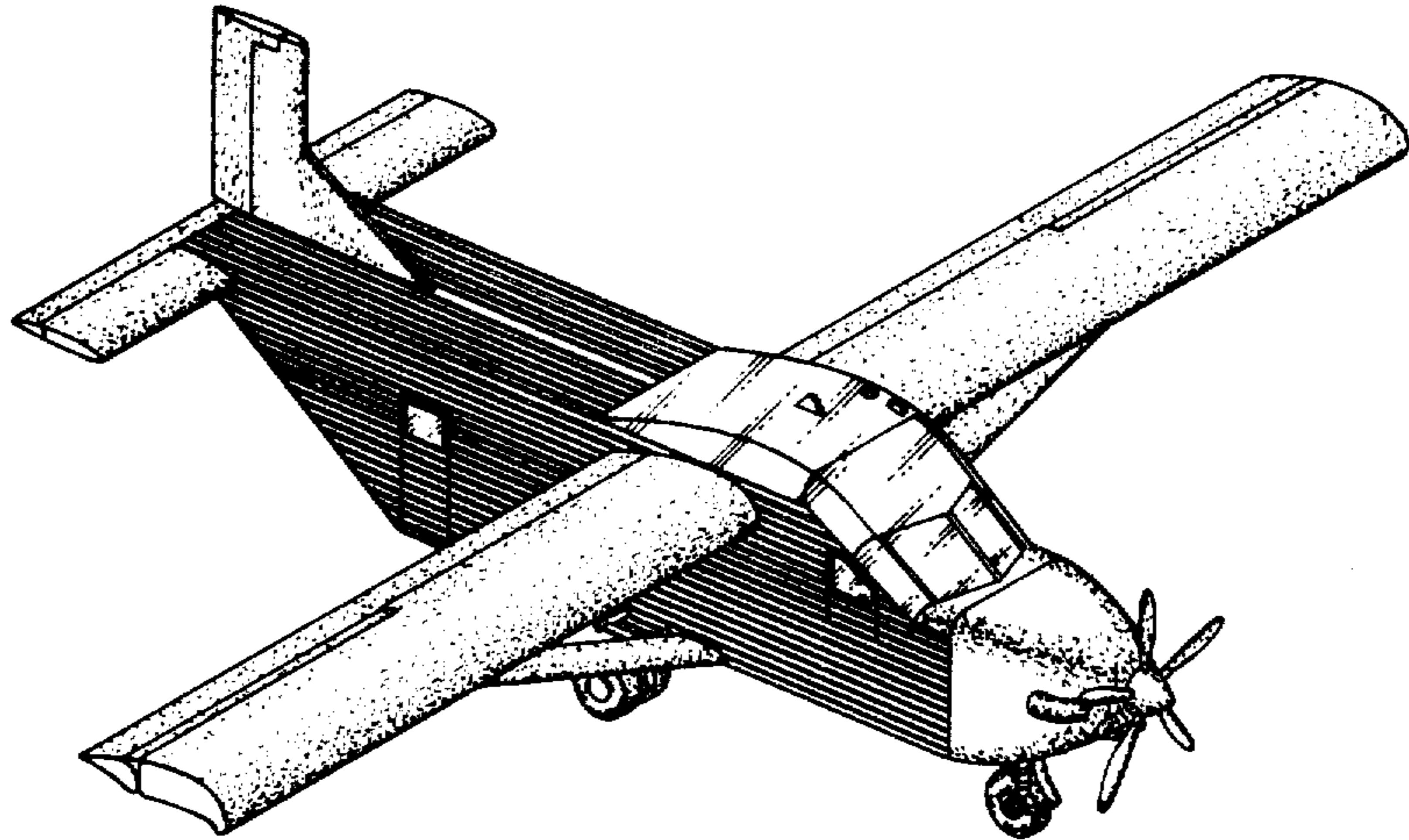


FIG. 5.

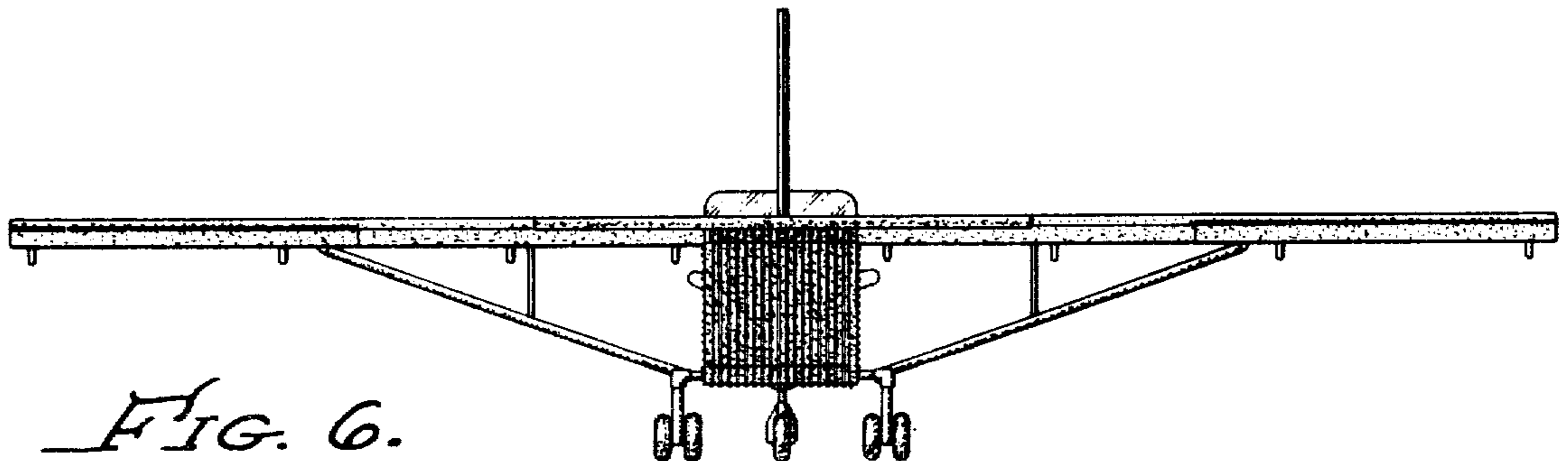


FIG. 6.

