

- [54] **WHEEL COVER FOR TRUCKS**
- [76] Inventor: **John G. Polka**, 69 S. Lincoln Ave., Mundelein, Ill. 60060
- [**] Term: **14 Years**
- [21] Appl. No.: **218,759**
- [22] Filed: **Dec. 22, 1980**
- [51] Int. Cl. **D12-16**
- [52] U.S. Cl. **D12/204**
- [58] Field of Search **D12/207, 205, 211, 204; 301/37 R, 37 CM, 64 R, 64 SD, 65, 105 R, 108 R**

- [56] **References Cited**
- U.S. PATENT DOCUMENTS**
- D. 204,256 4/1966 Rader **D12/211**
- D. 236,105 7/1975 Howard **D12/207**
- OTHER PUBLICATIONS**
- National Catalog, ©1961, p. 11, LP-3-Tri-Bar, top

center of page & B-57-B-Four-Bar, bottom right side of page.

Primary Examiner—James M. Gandy
Attorney, Agent, or Firm—Carl C. Batz

[57] **CLAIM**

The ornamental design for a wheel cover for trucks, as shown and described.

DESCRIPTION

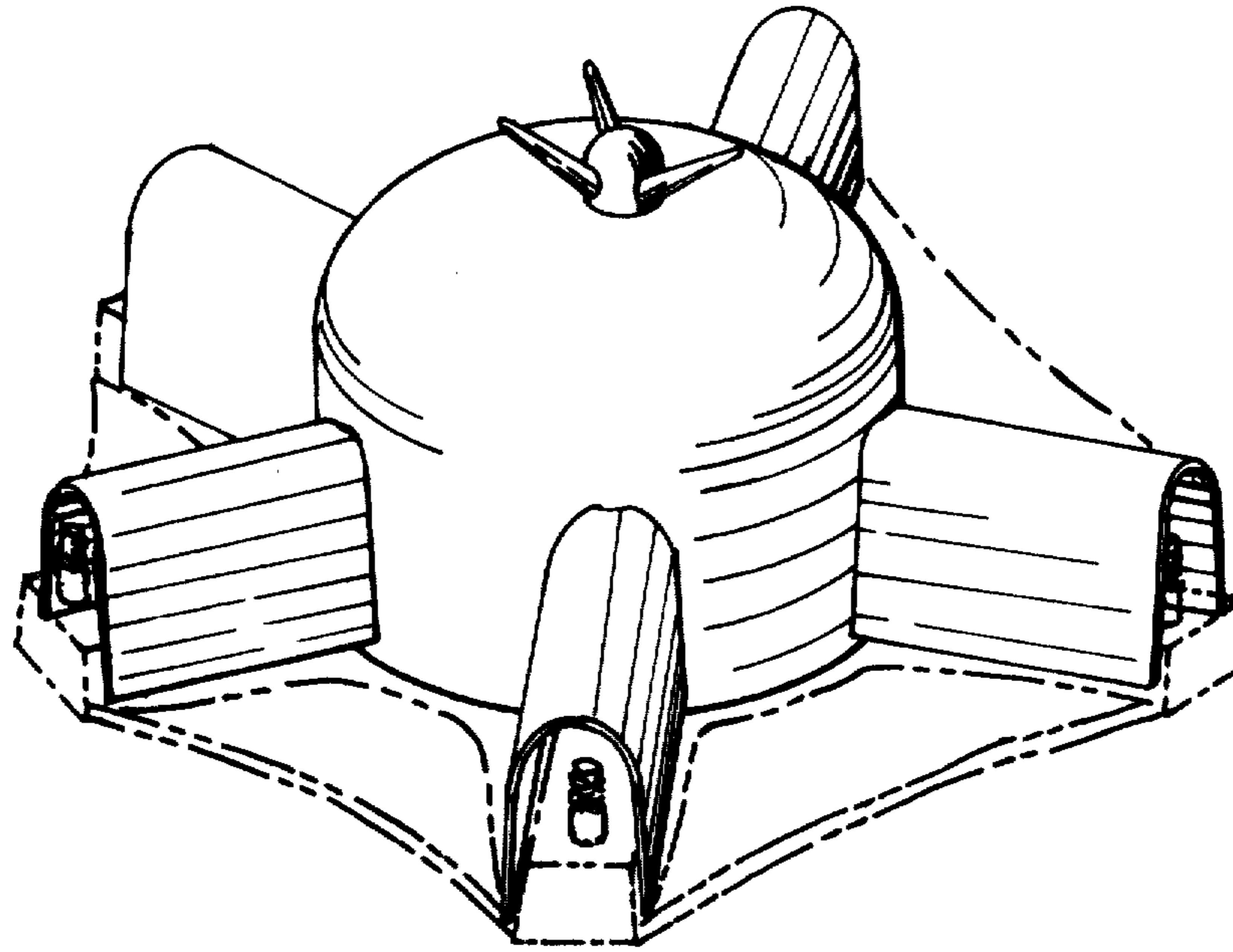
FIG. 1 is a perspective view of a wheel cover for trucks showing my new design mounted on a wheel base which is fragmentarily depicted in broken lines for illustrative purposes only;

FIG. 2 is a top plan view thereof;

FIG. 3 is a side elevational view thereof looking in the direction of line 3—3 in FIG. 2;

FIG. 4 is a side elevational view thereof looking in the direction of line 4—4 in FIG. 2; and

FIG. 5 is a bottom plan view thereof.



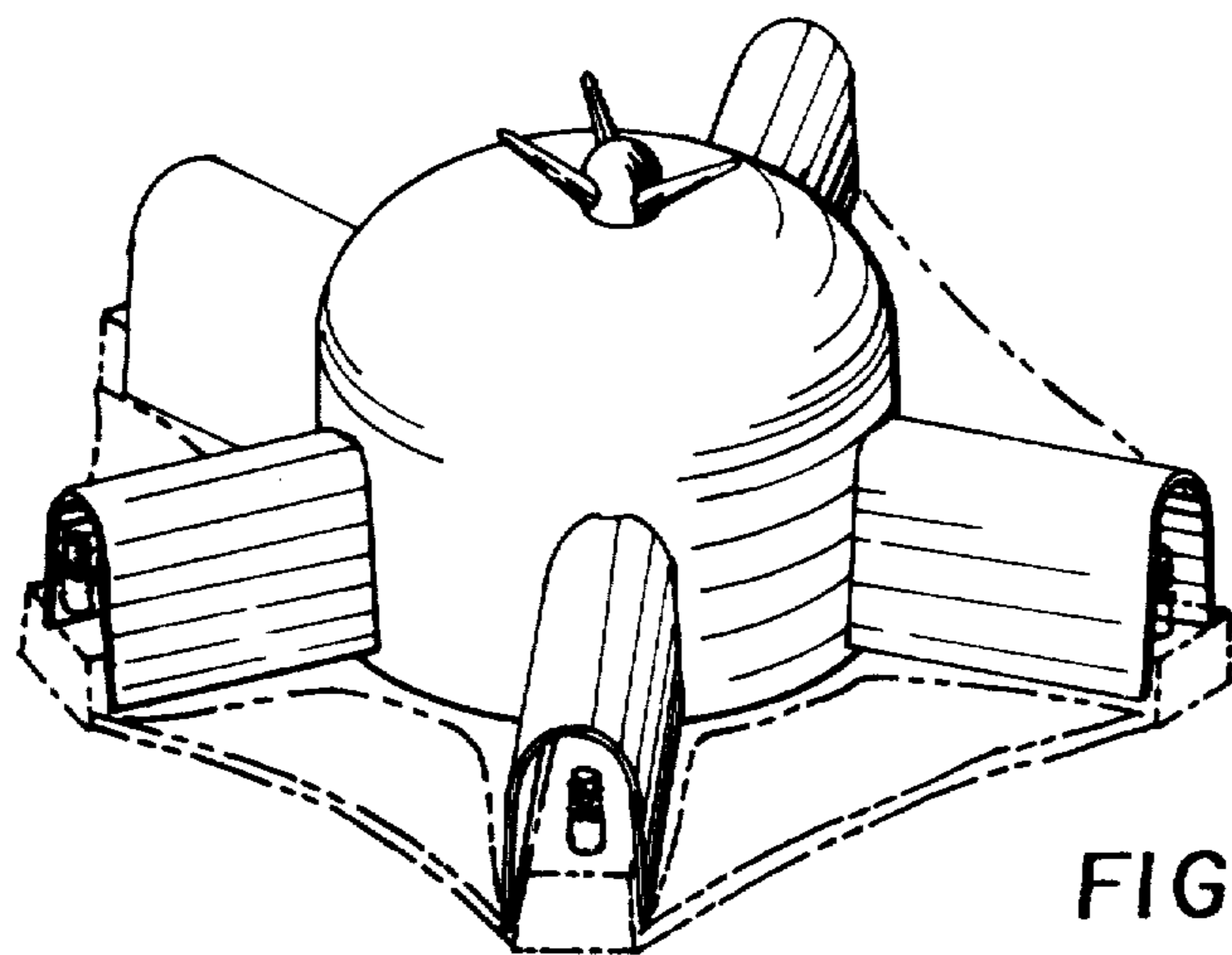


FIG 1

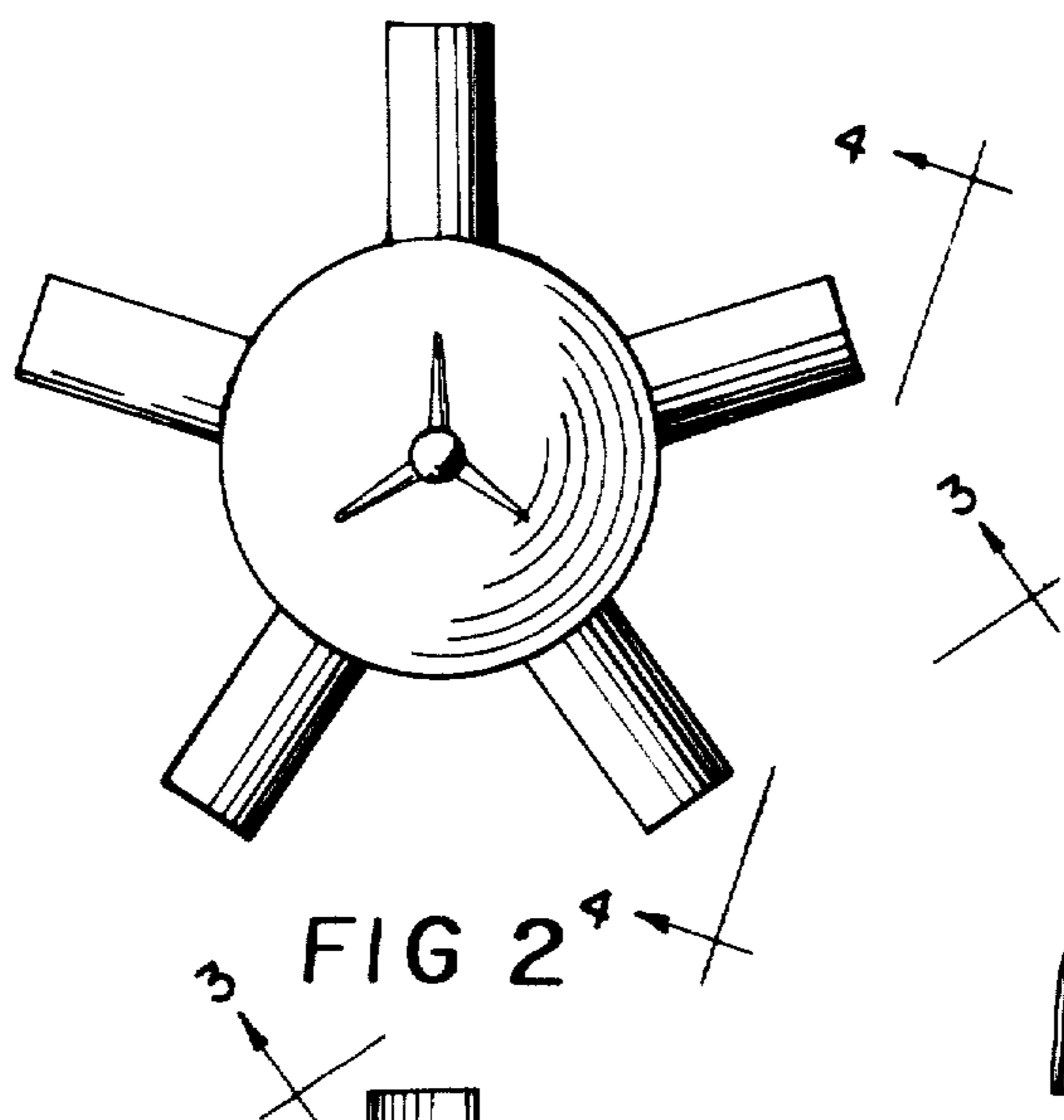


FIG 2

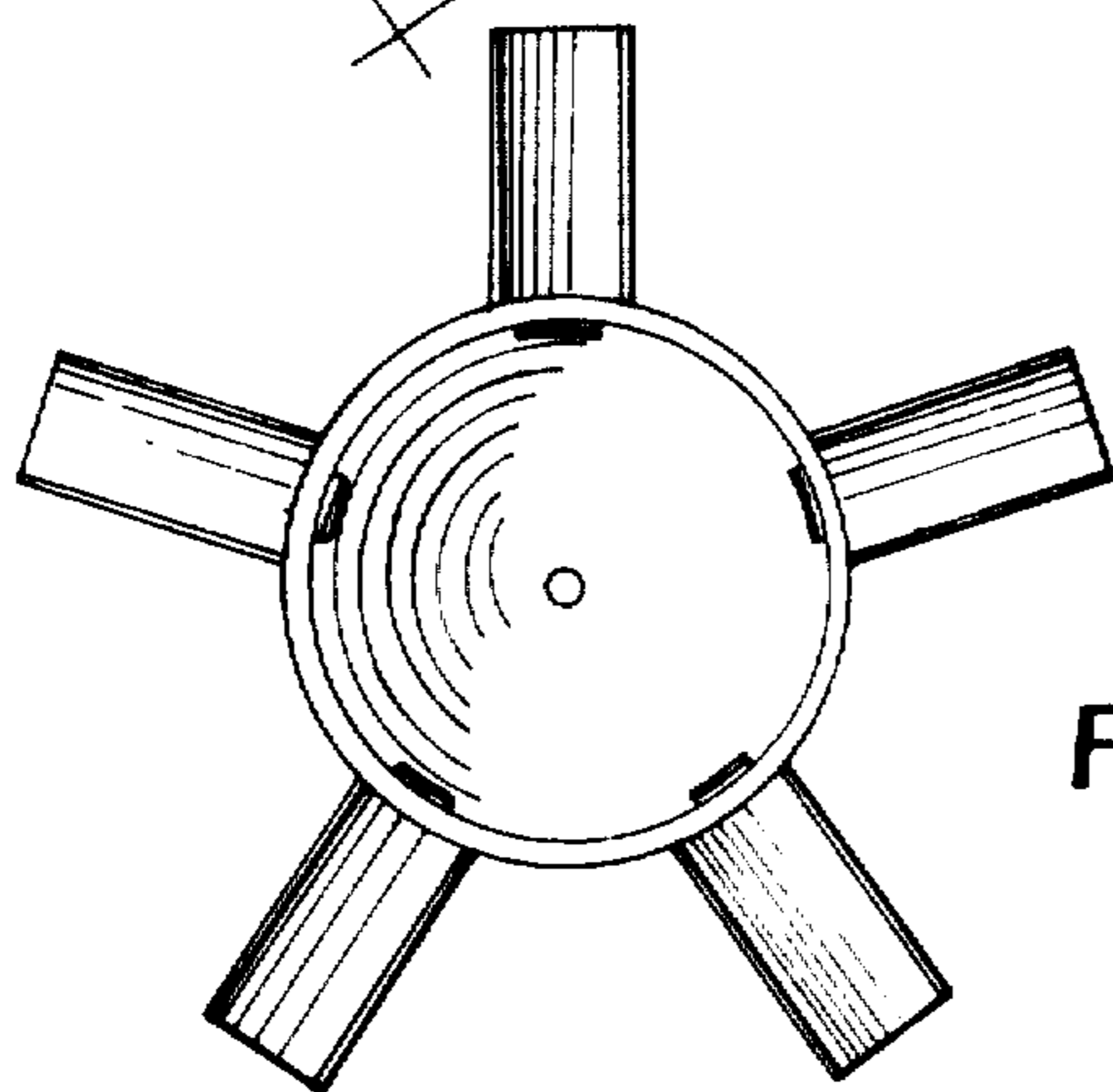


FIG 5

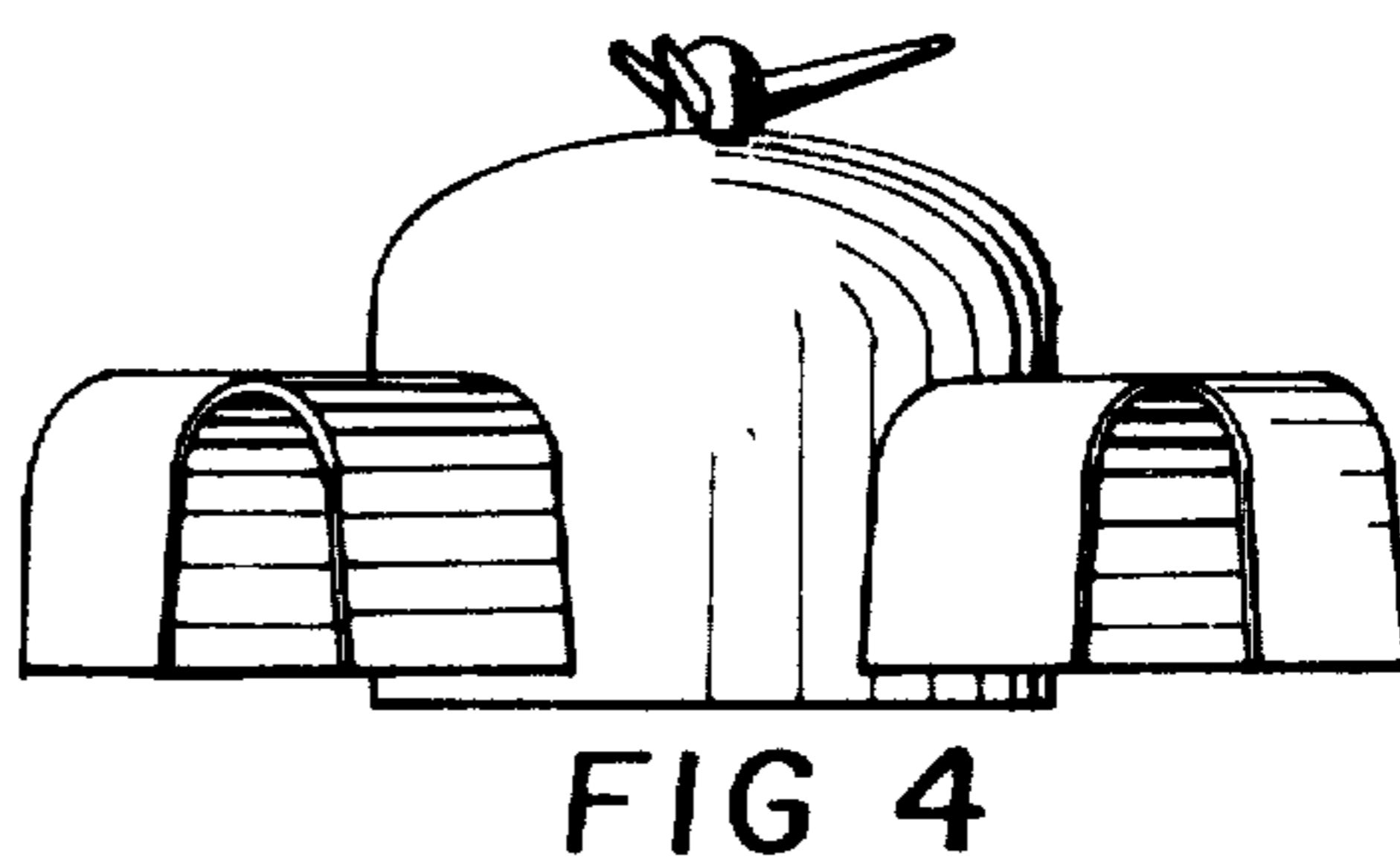


FIG 4

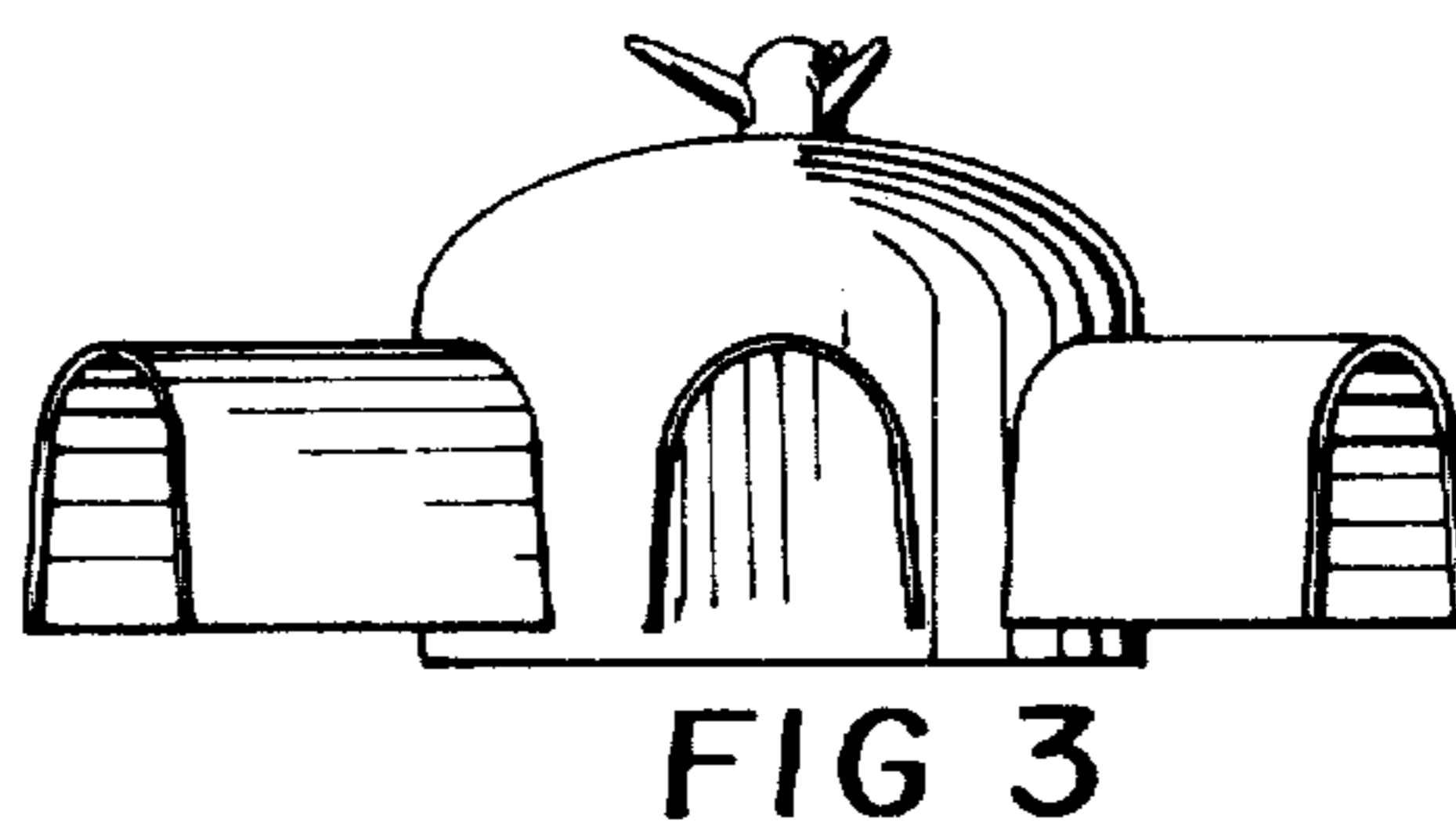


FIG 3