

- [54] **PLANTING BOX CASING ELEMENT OR SIMILAR ARTICLE**
- [76] Inventor: **Lars G. Carlsson**, Nicandersgatan 1, 252 39 Helsingborg, Sweden
- [\*\*] Term: **14 Years**
- [21] Appl. No.: **155,973**
- [22] Filed: **Jun. 3, 1980**
- [51] Int. Cl. .... **D11—02**
- [52] U.S. Cl. .... **D11/164; D11/143; D11/152; D11/155**
- [58] Field of Search ..... **D11/143, 164, 152, 153; D25/74, 80; 52/79.1, 602; 47/32, 33, 83**

[56] **References Cited**

**U.S. PATENT DOCUMENTS**

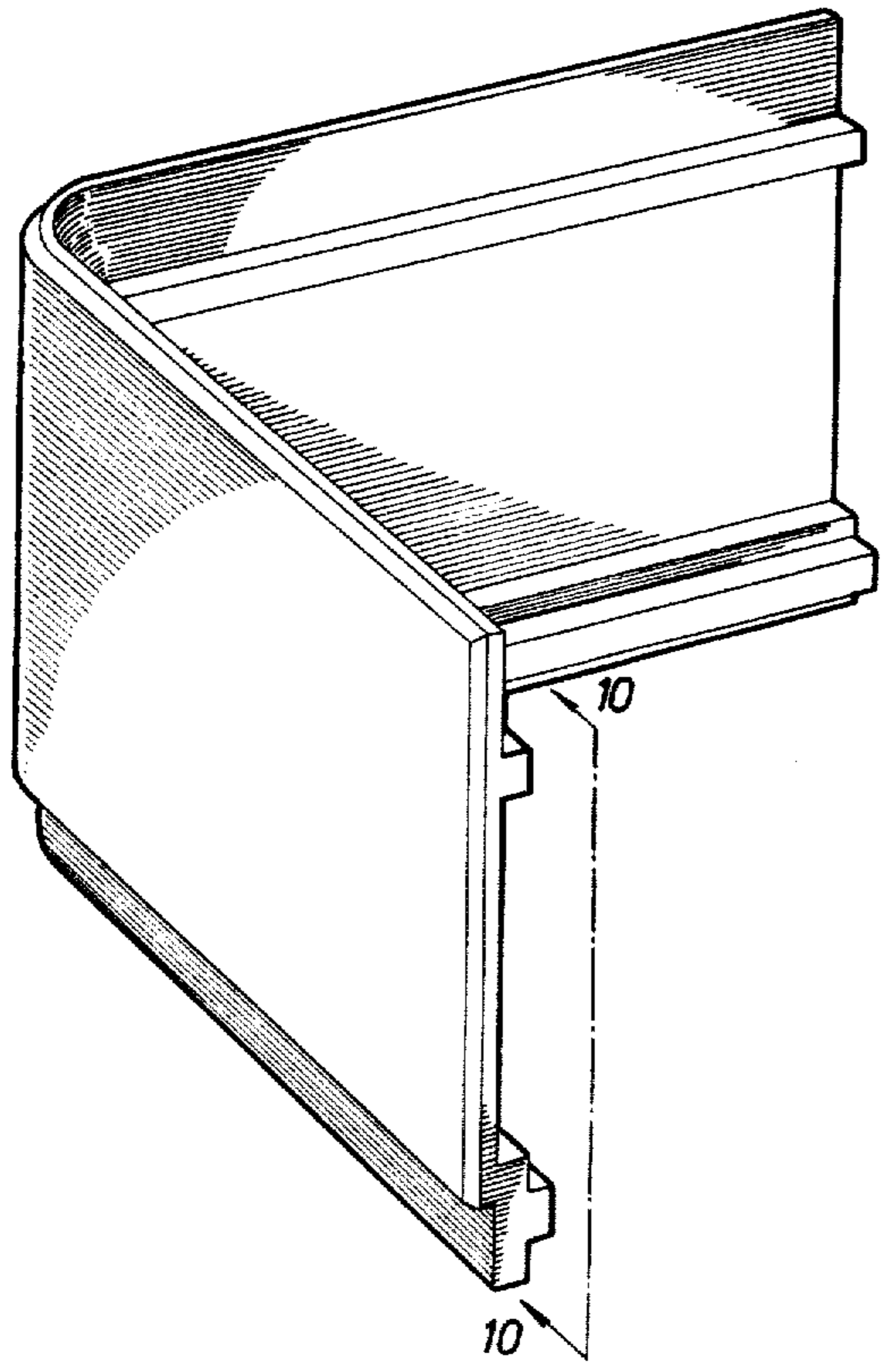
D. 223,585	5/1972	Adelman	.....	D25/80
619,352	2/1899	Schaefer	.....	47/33
3,008,581	11/1961	Kohler	.....	D25/74
3,444,694	5/1969	Frehner	.....	47/83
4,244,665	1/1981	Neumann	.....	47/83

*Primary Examiner*—B. J. Bullock  
*Attorney, Agent, or Firm*—Fleit, Jacobson & Cohn

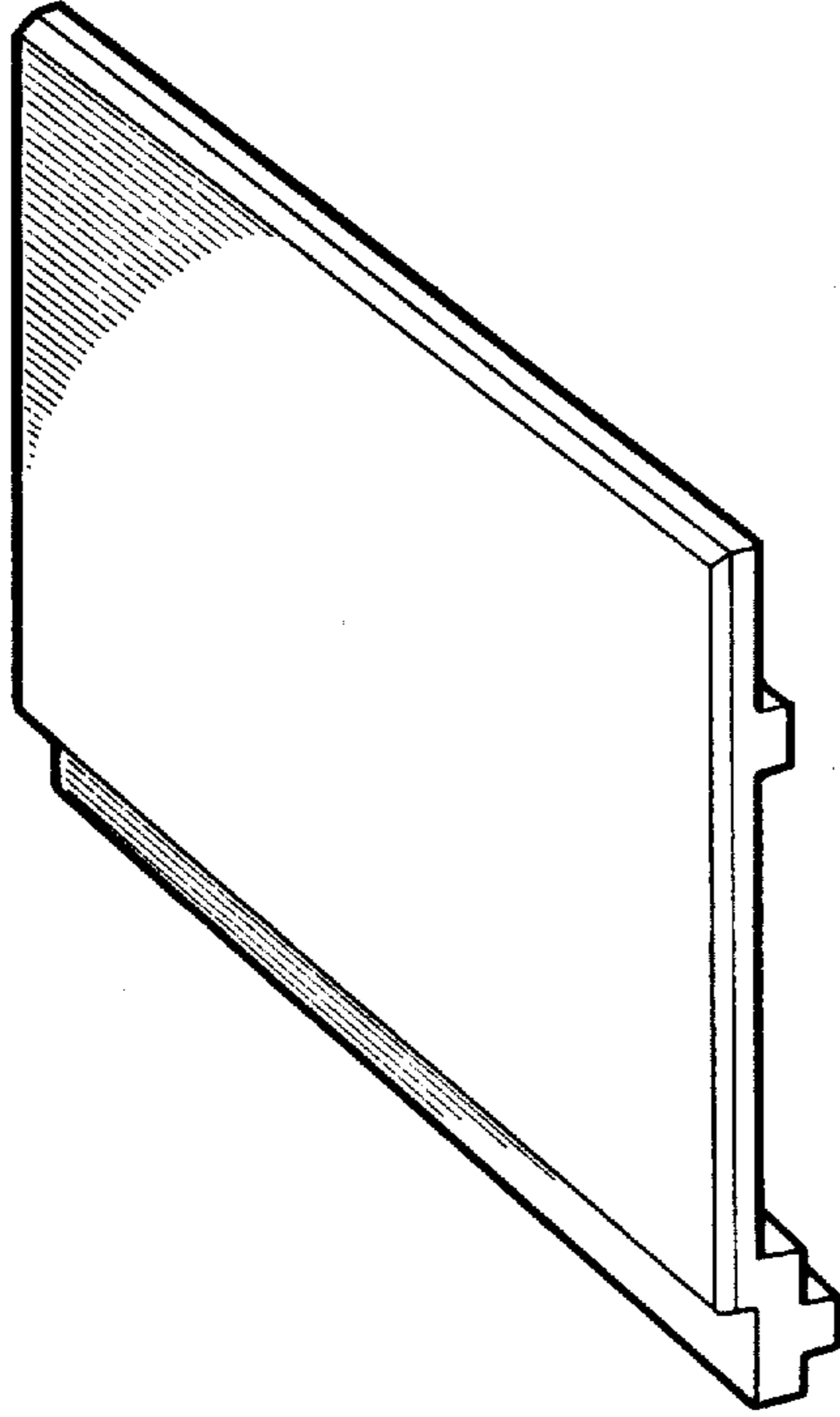
[57] **CLAIM**  
 The ornamental design for a planting box casing element or similar article, as shown and described.

**DESCRIPTION**

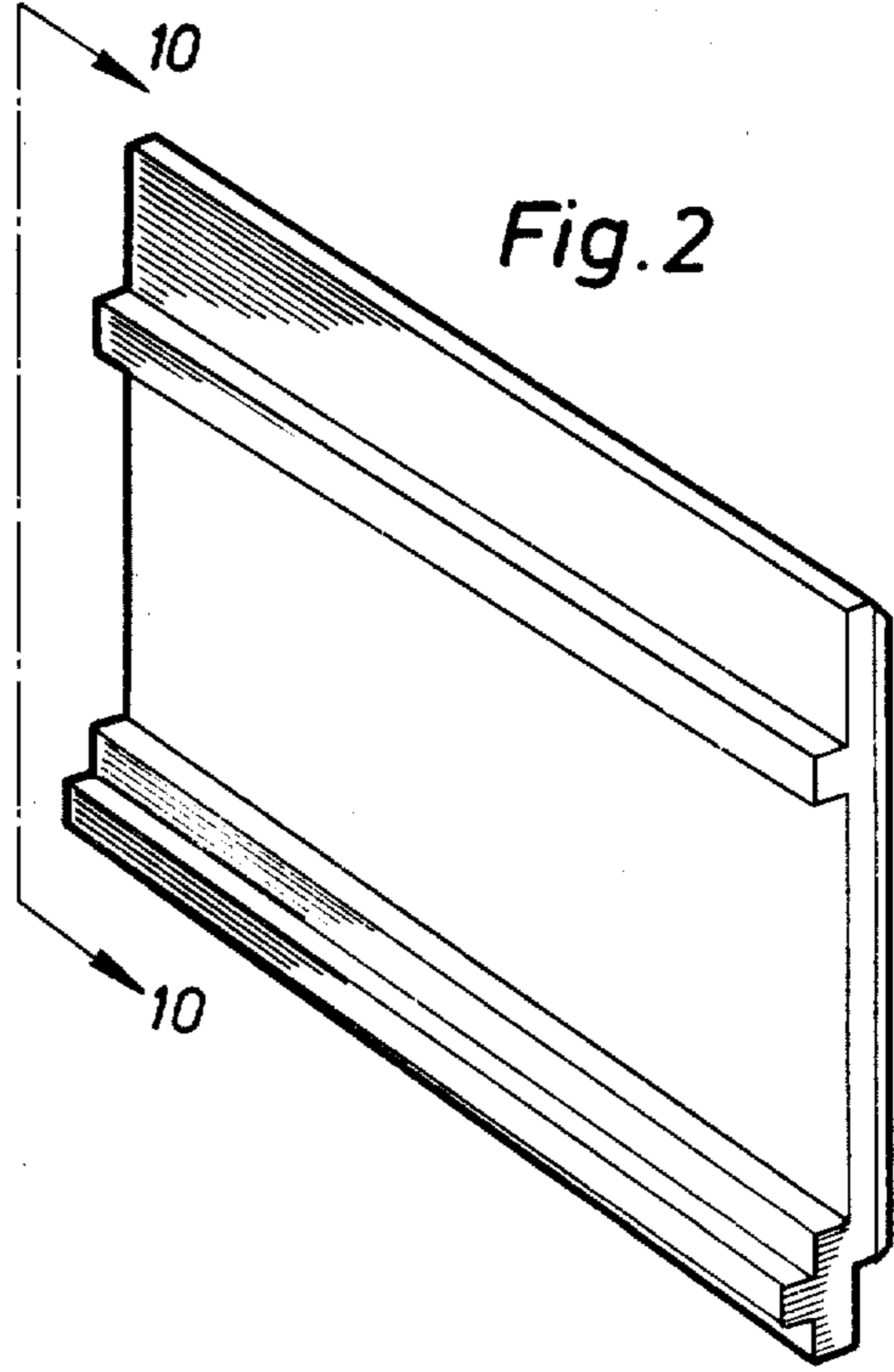
FIG. 1 is a front perspective view of a planting box casing element or similar article showing my new design;  
 FIG. 2 is a rear perspective view of FIG. 1;  
 FIG. 3 is a top plan view of FIG. 1;  
 FIG. 4 is a top perspective view of a second embodiment of the design of FIG. 1;  
 FIG. 5 is a top plan view of FIG. 4;  
 FIG. 6 is a top perspective view of a third embodiment of the design of FIG. 1;  
 FIG. 7 is a reduced top plan view of FIG. 6;  
 FIG. 8 is a top perspective view of a fourth embodiment of the design of FIG. 1;  
 FIG. 9 is a reduced top plan view of FIG. 8; and  
 FIG. 10 is an end elevational view as taken in the direction of the arrows on line 10—10 of FIGS. 2, 4, 6 and 8.



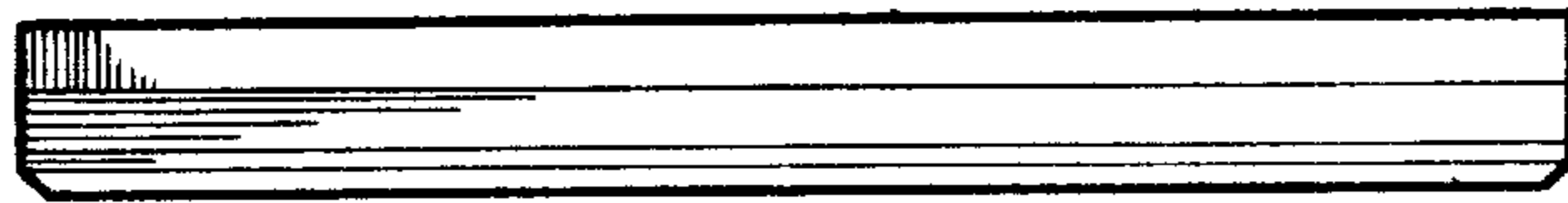
*Fig.1*



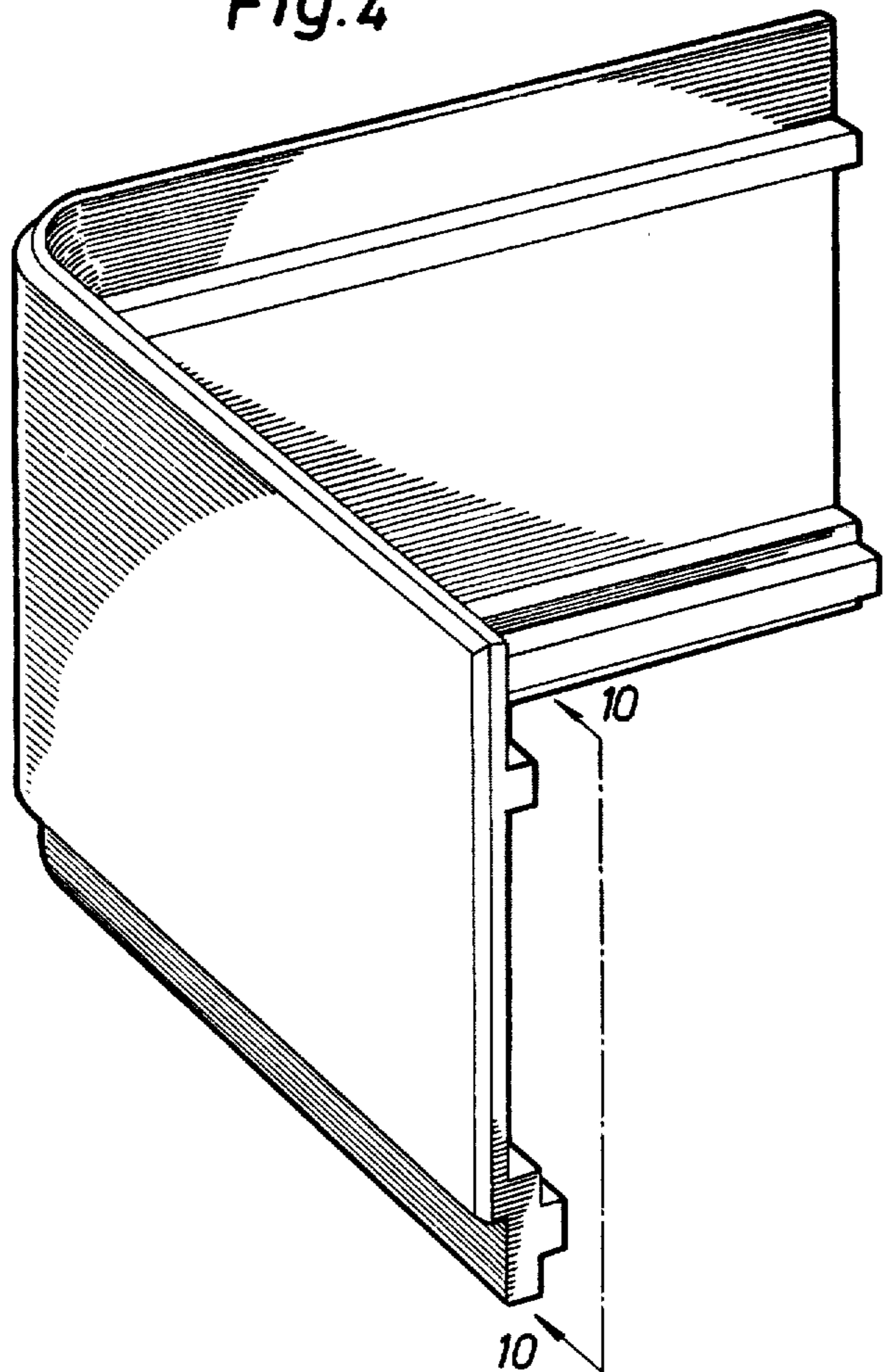
*Fig.2*



*Fig.3*



*Fig.4*



10

10

*Fig.5*

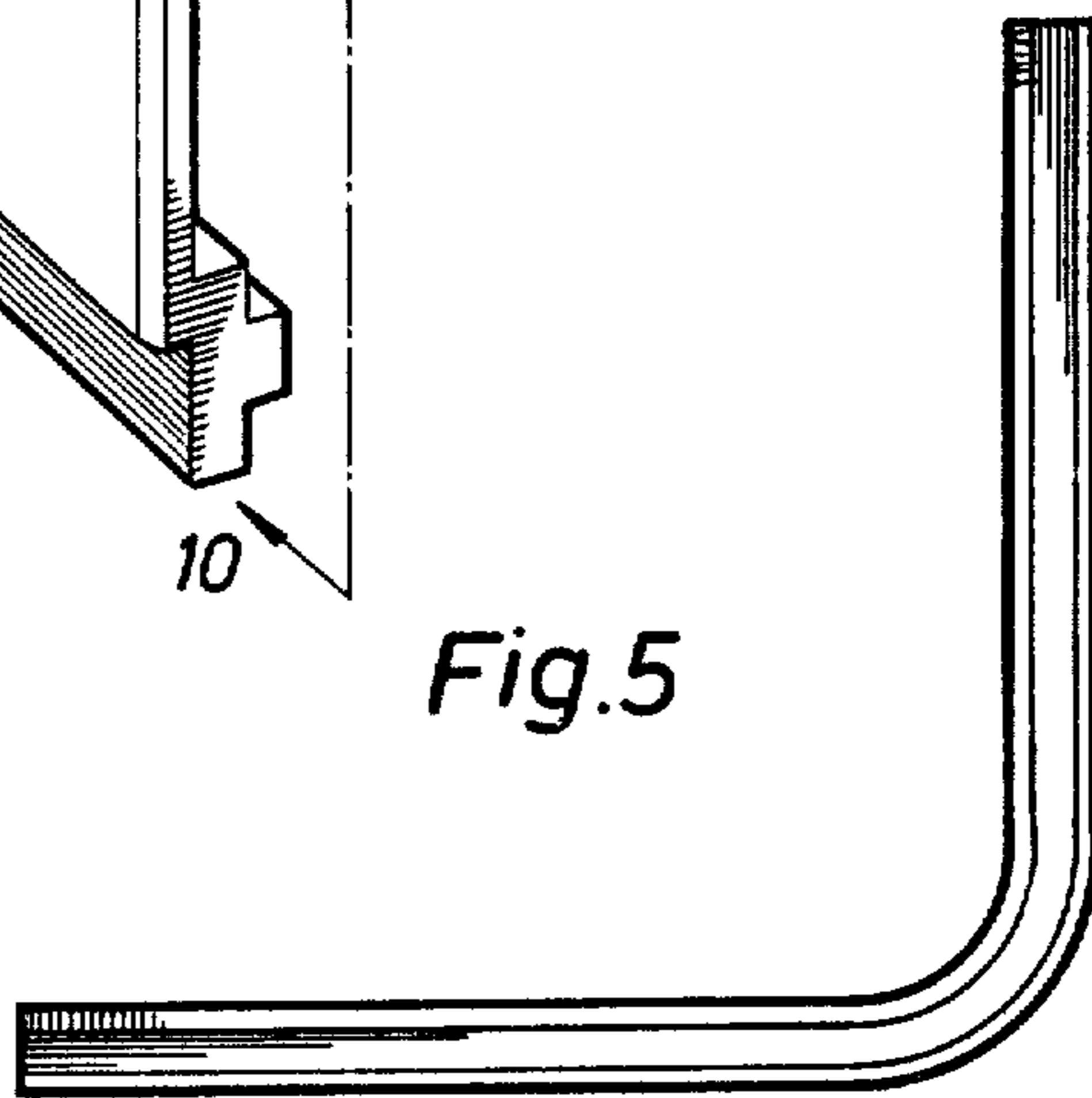
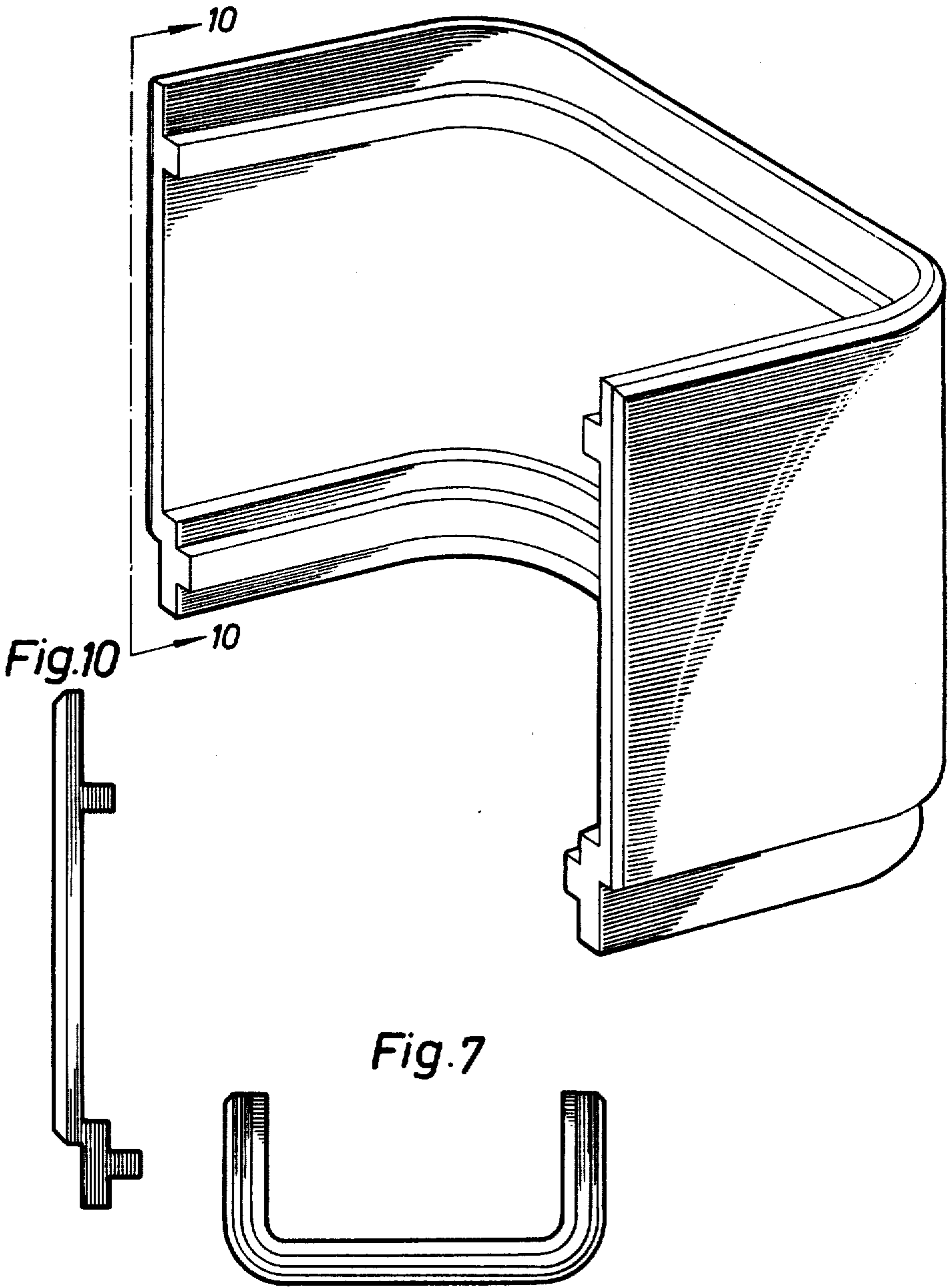
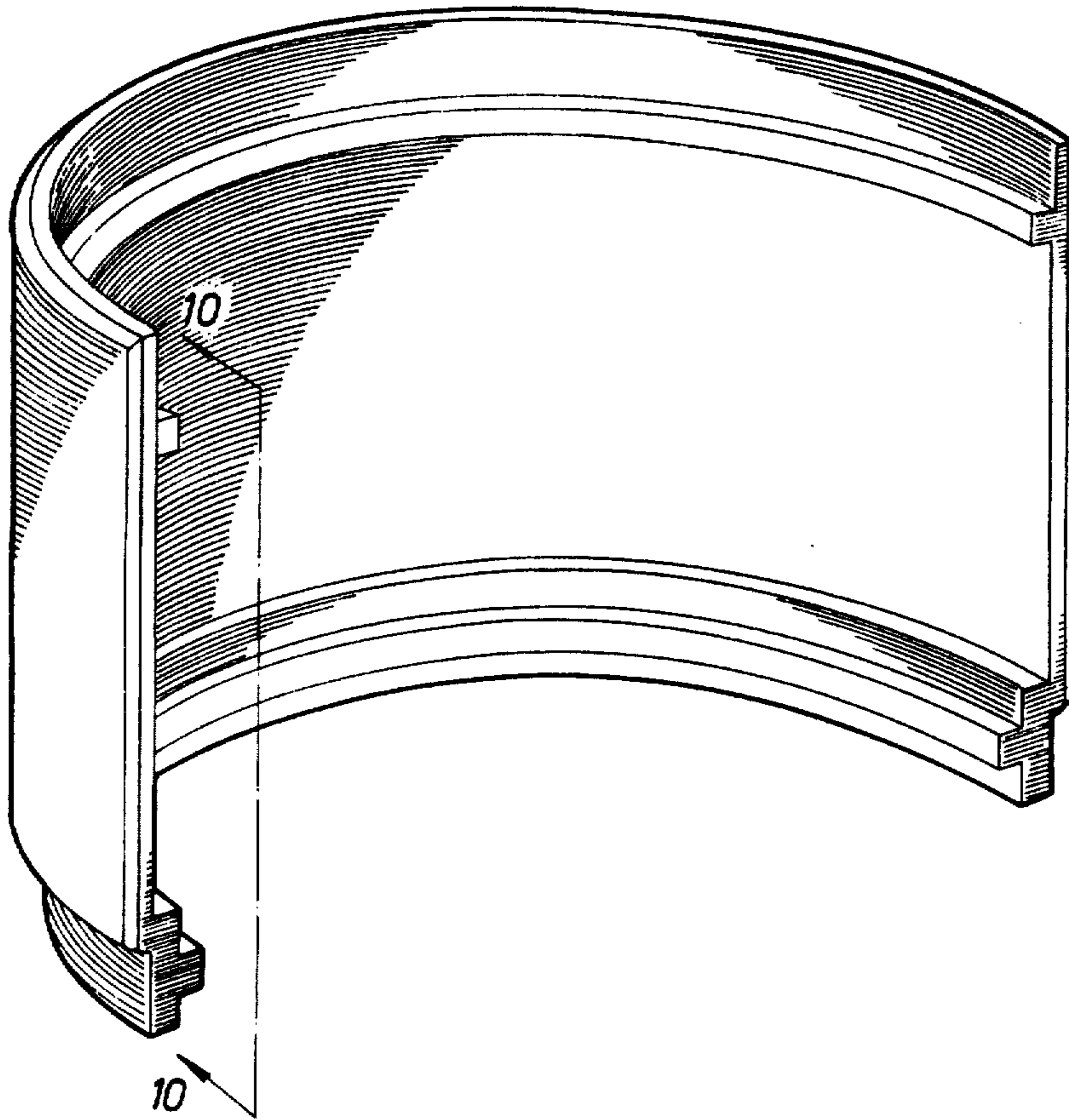


Fig.6





*Fig. 8*



*Fig. 9*

