

[54] ILLUMINABLE KEY HANDLE
 [76] Inventor: **Avi Cziment**, 6732 de Virmy Ave.,
 Montreal, Quebec, Canada, H3S 2R9
 [**] Term: **14 Years**
 [21] Appl. No.: **231,769**
 [22] Filed: **Feb. 5, 1981**
 [51] Int. Cl. **D8-07**
 [52] U.S. Cl. **D8/347**
 [58] Field of Search **D8/347, 348; 362/200,**
 362/116, 109; 70/408, 336

4,276,582 6/1981 Burnett 362/116
 4,303,966 12/1981 Wolter 362/116

FOREIGN PATENT DOCUMENTS

2411290 8/1979 France 70/408

Primary Examiner—Wallace R. Burke
Assistant Examiner—Horace B. Fay, Jr.

[57] CLAIM

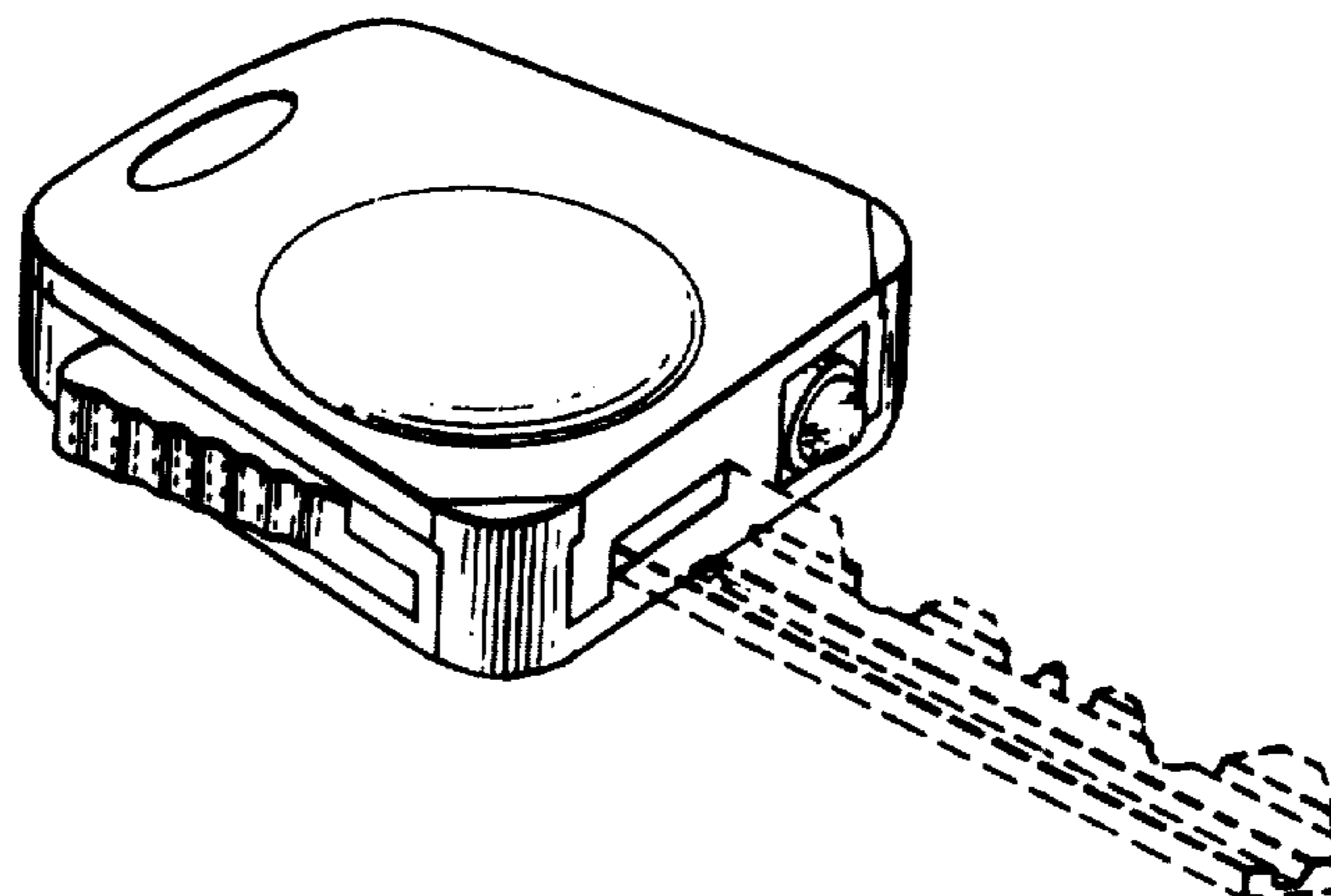
The ornamental design for an illuminable key handle, as shown and described.

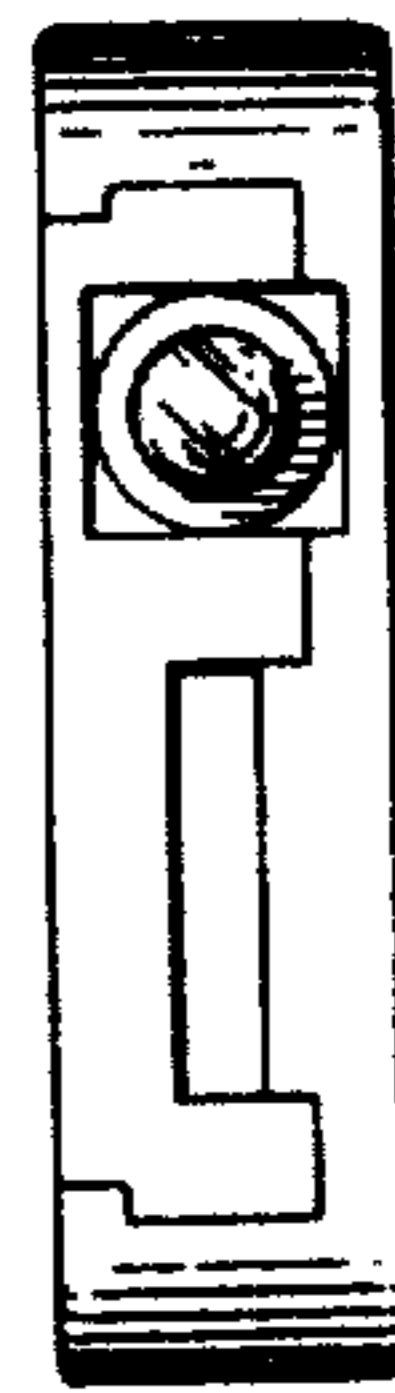
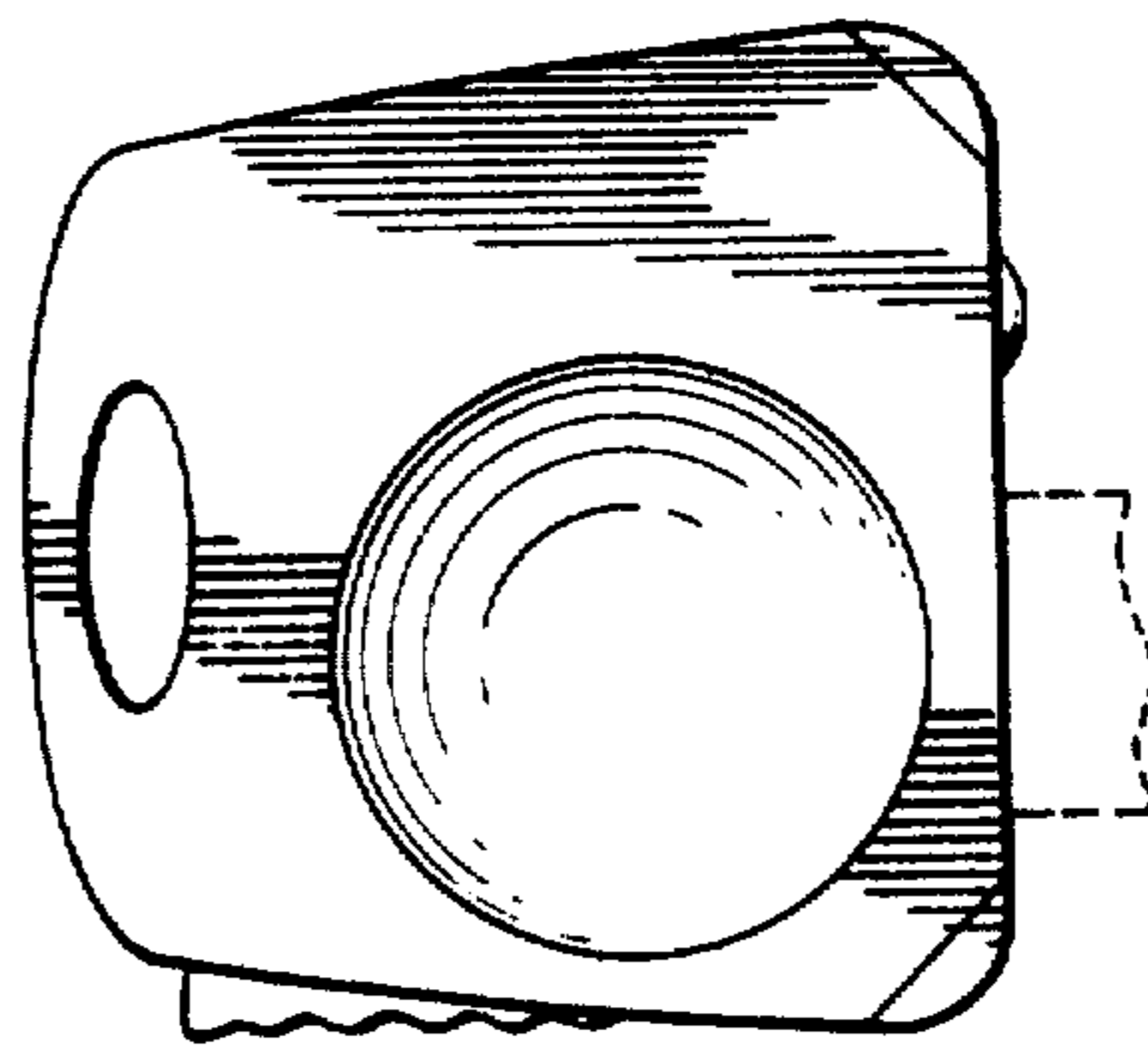
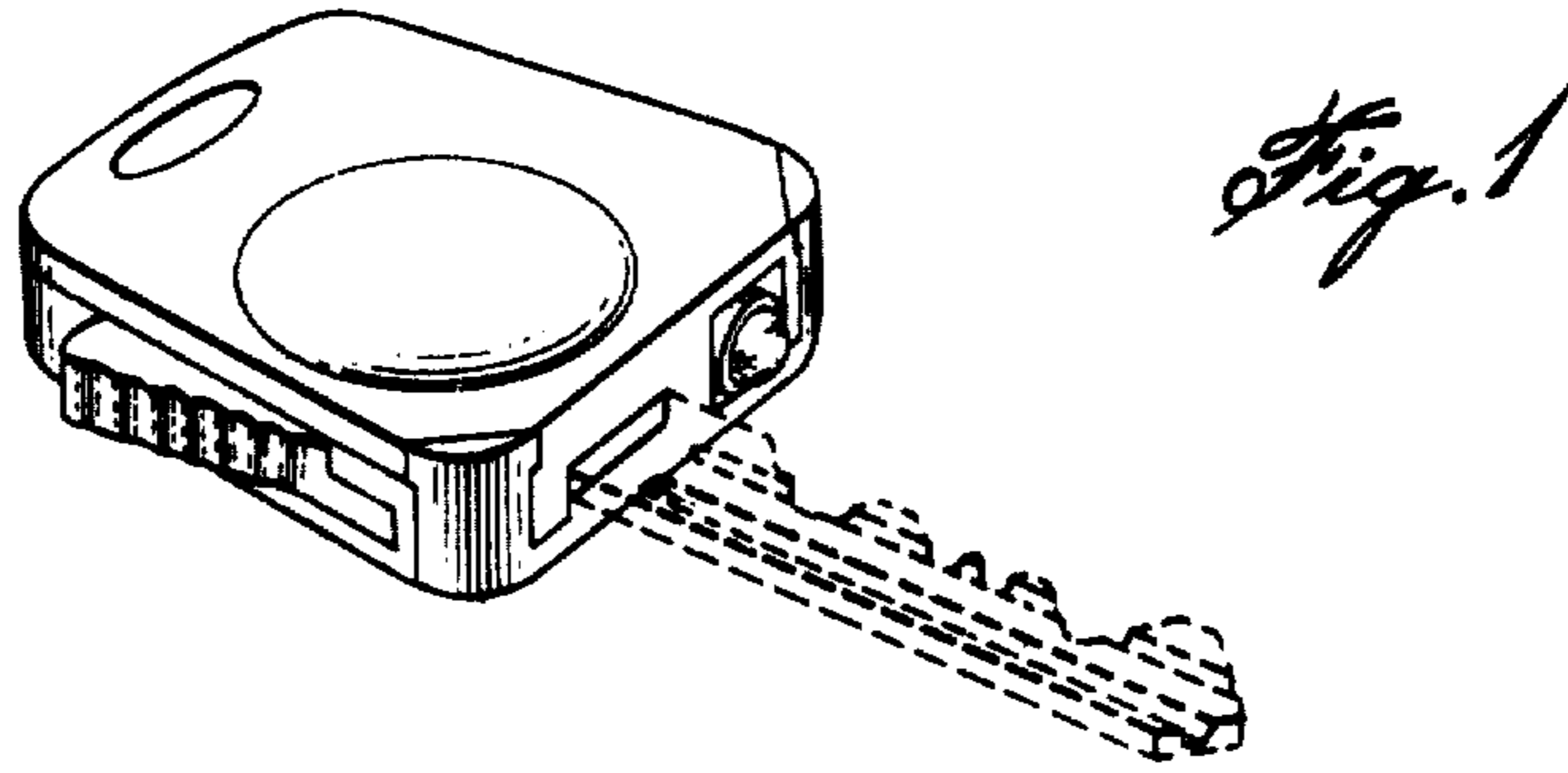
DESCRIPTION

FIG. 1 is a perspective view of the illuminable key handle showing my new design;
 FIG. 2 is a top plan view thereof;
 FIG. 3 is a left end view thereof;
 FIG. 4 is a right end view thereof;
 FIG. 5 is a left side view thereof;
 FIG. 6 is a bottom plan view thereof;
 FIG. 7 is a right side view thereof.
 The broken lines in FIGS. 1, 2, 5, 6, and 7 have been shown for illustrative purposes only.

[56] **References Cited**
U.S. PATENT DOCUMENTS

2,210,048	8/1940	Swanson	362/116
2,371,308	3/1945	Mosch	362/116
2,625,645	1/1953	Crone	362/116
2,640,347	6/1953	Majeski	362/116
3,085,149	4/1963	Givosky	362/116
3,310,668	3/1967	Schwartz	362/116
4,085,315	4/1978	Wolter	362/116





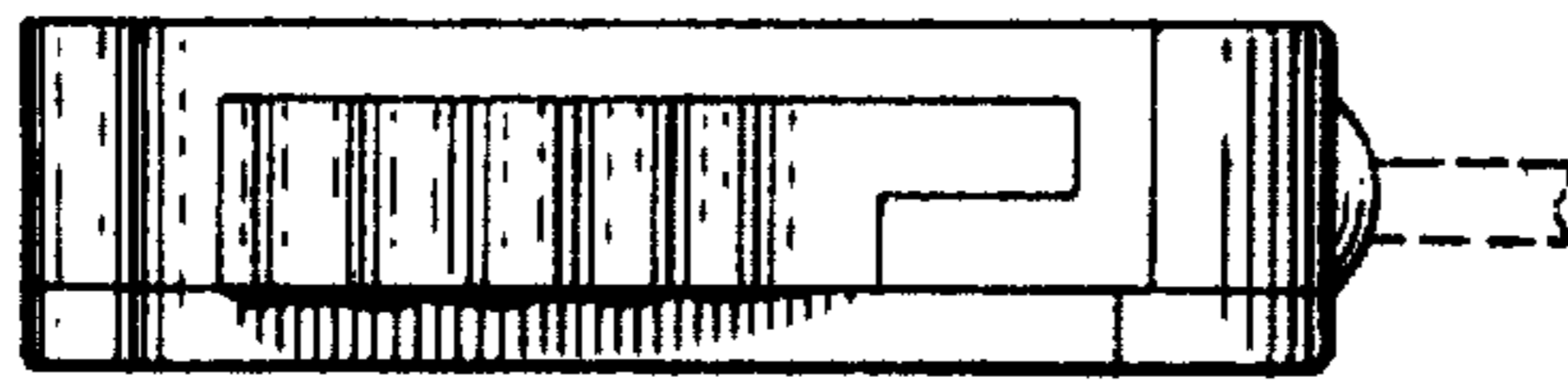


Fig. 5

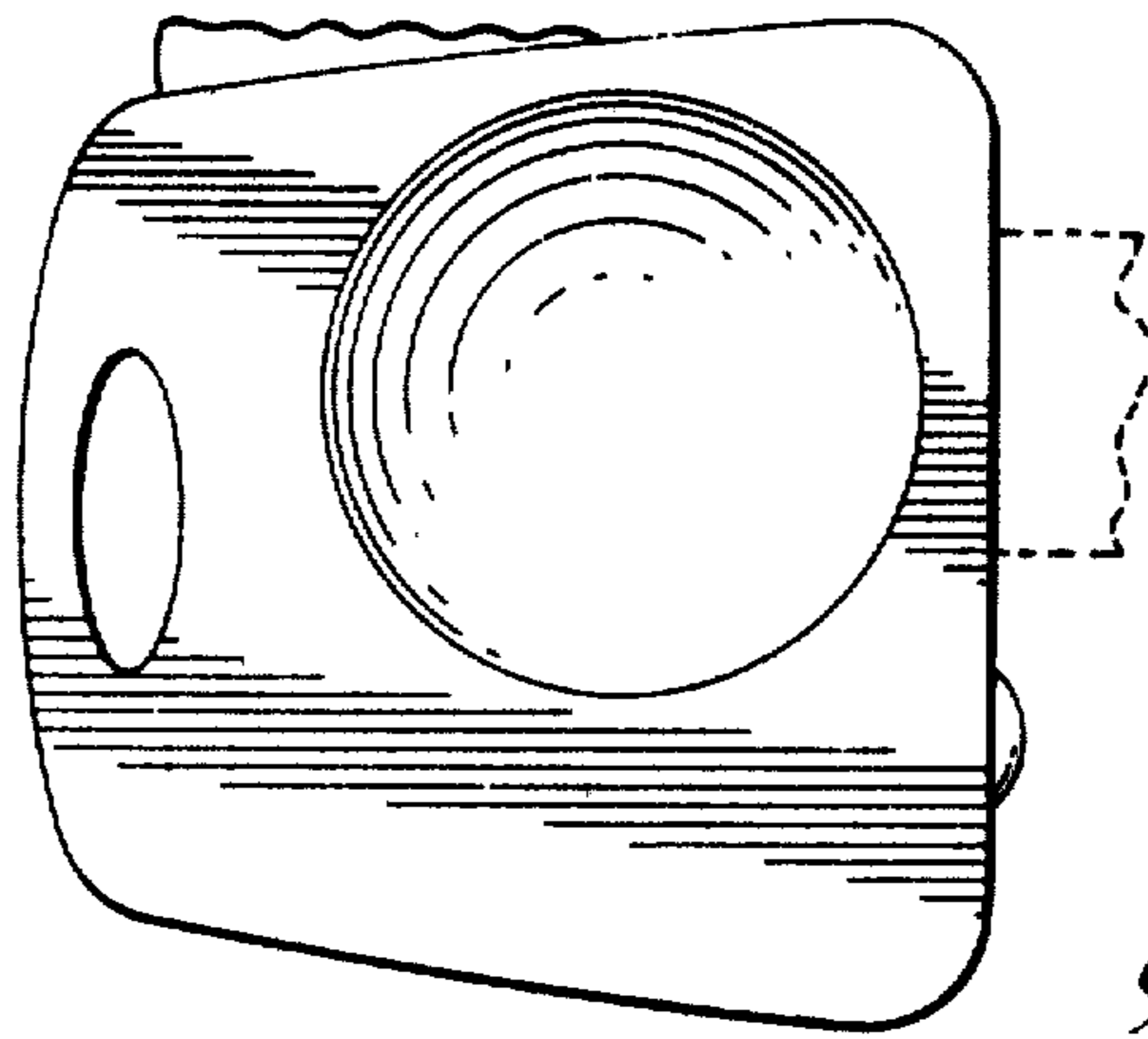


Fig. 6

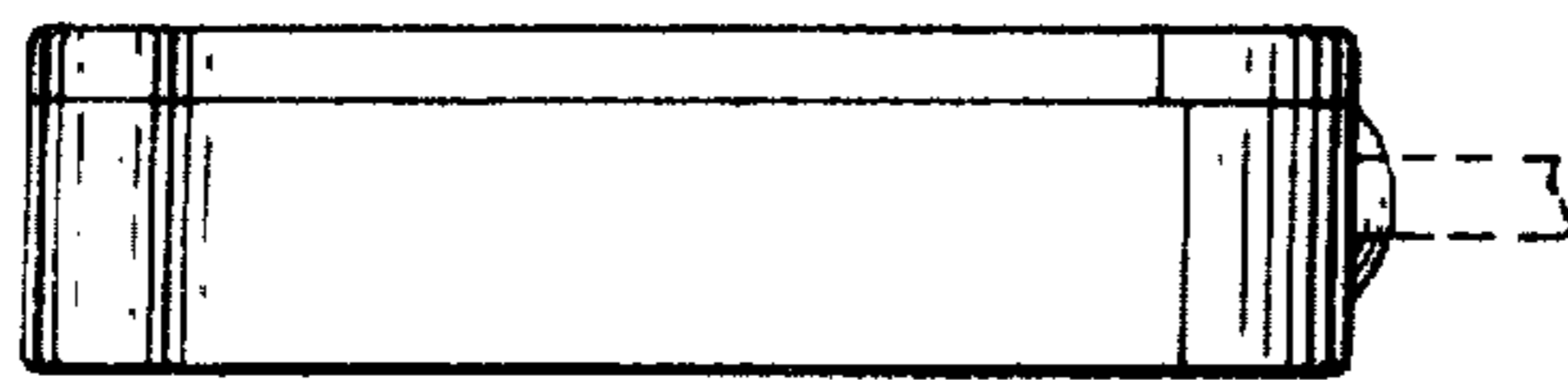


Fig. 7