

[54] **DOOR CLOSER**

[75] Inventor: **Mitsuaki Okazaki, Fuchu, Japan**
 [73] Assignee: **Ryobi Limited, Hiroshima, Japan**
 [**] Term: **14 Years**
 [21] Appl. No.: **252,281**
 [22] Filed: **Apr. 9, 1981**

[30] **Foreign Application Priority Data**

Oct. 17, 1980 [JP] Japan 55-43480

[51] Int. Cl. **D8-07**
 [52] U.S. Cl. **D8/330**
 [58] Field of Search **D8/330; D16/49, 50, D16/51, 63-66, 71, 82, 84**

[56] **References Cited**

U.S. PATENT DOCUMENTS

D. 241,512	9/1976	Hiraishi	D8/330
D. 261,099	10/1981	Russell	D8/330
1,728,693	9/1929	Moore	16/49
2,131,564	9/1938	Lasier	16/49
2,994,906	8/1961	Check	D8/330
3,252,178	5/1966	Check et al.	16/49
3,259,936	7/1966	Sheridan	16/49
4,086,681	5/1978	Nakanishi	16/49

FOREIGN PATENT DOCUMENTS

2378163 9/1978 France 16/82

OTHER PUBLICATIONS

Brochure-entitled "Sleekline Door Closers", by Kwik-set S & S Co., see subsidiary of Emhart Corp., Anaheim, Calif.

Primary Examiner—Wallace R. Burke

Assistant Examiner—Horace Fay, Jr.

Attorney, Agent, or Firm—Birch, Stewart, Kolasch & Birch

[57] **CLAIM**

The ornamental design for a door closer, as shown.

DESCRIPTION

FIG. 1 is a top plan view of the door closer;
 FIG. 2 is the right side view thereof;
 FIG. 3 is the bottom view thereof;
 FIG. 4 is the left side view thereof;
 FIG. 5 is the front end view thereof;
 FIG. 6 is the rear end view thereof;
 FIG. 7 is a perspective view featuring the right side view thereof; and
 FIG. 8 is a perspective view featuring the left side view thereof.

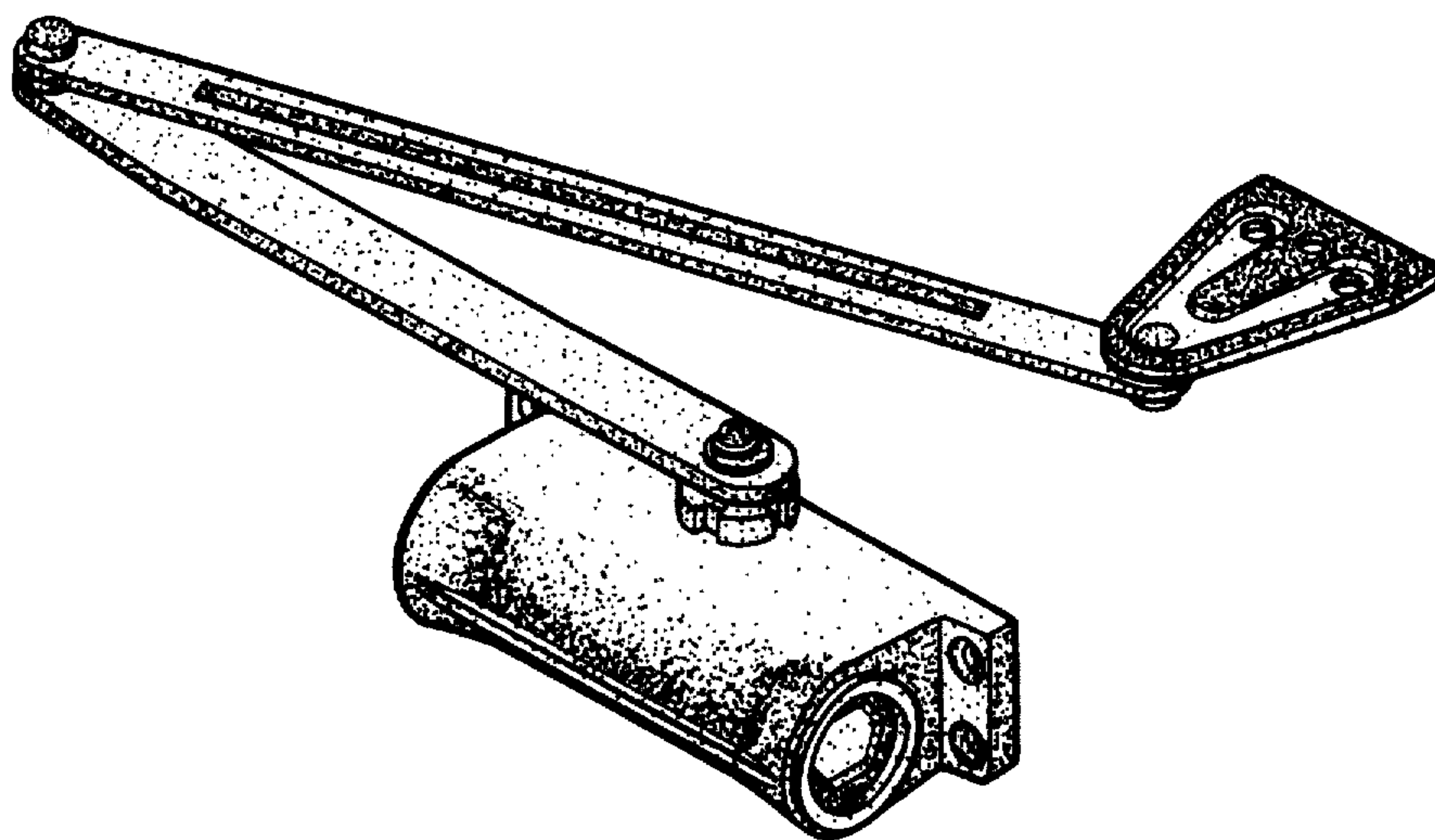


FIG. 1

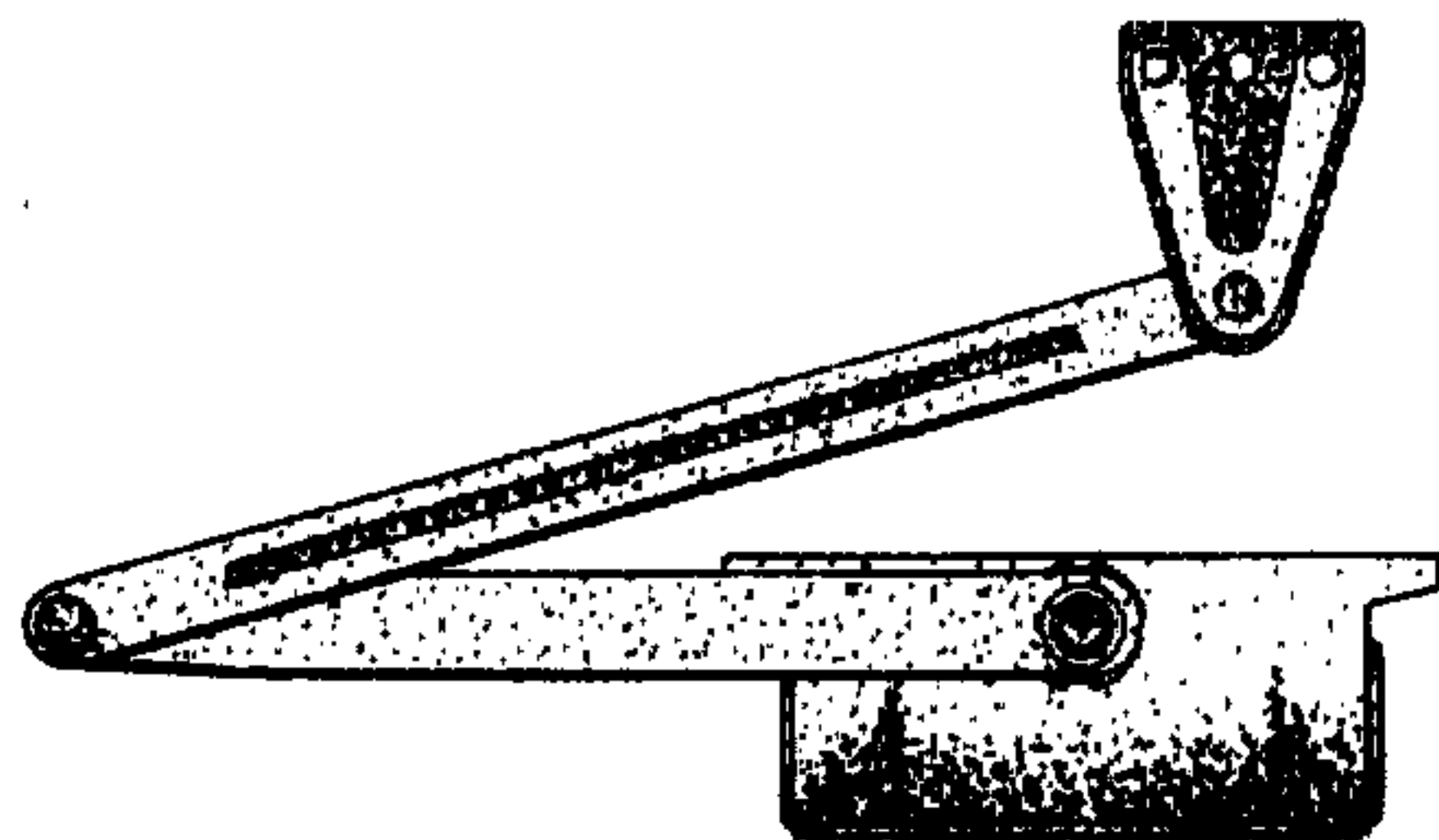


FIG. 2

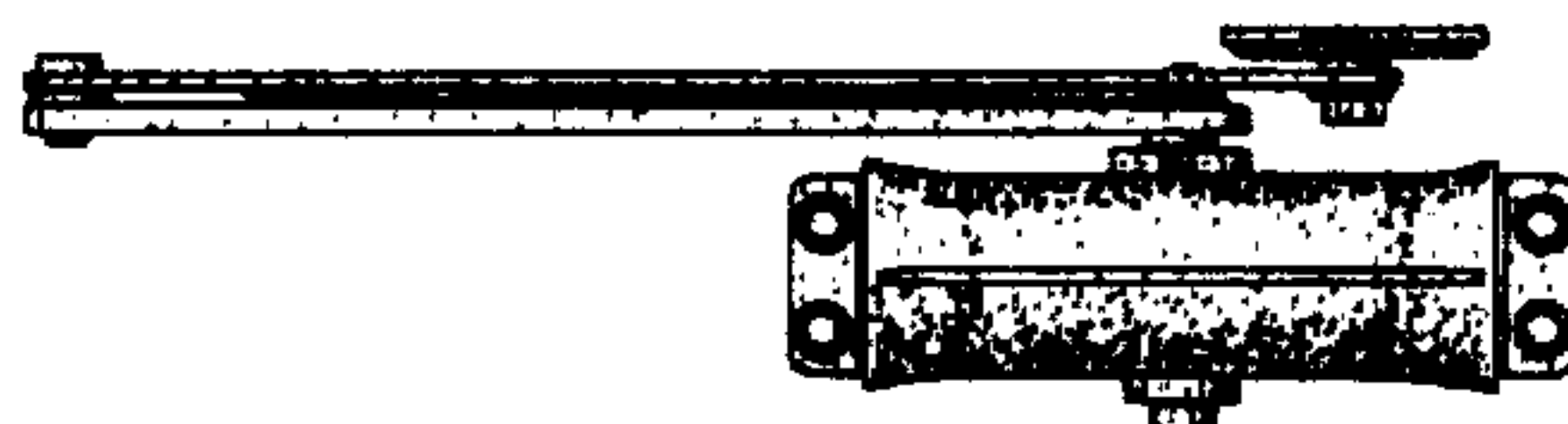


FIG. 3

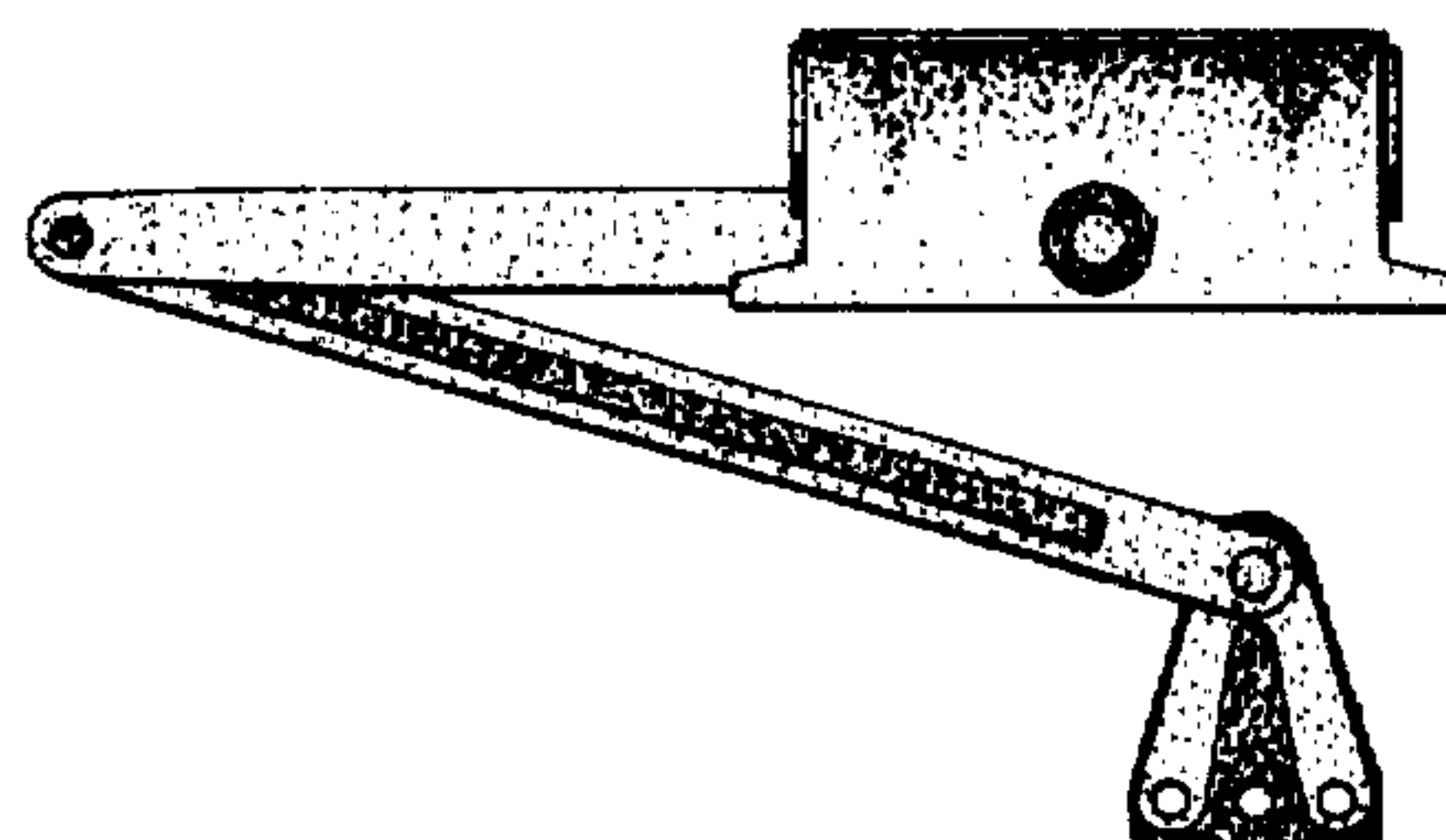


FIG. 4

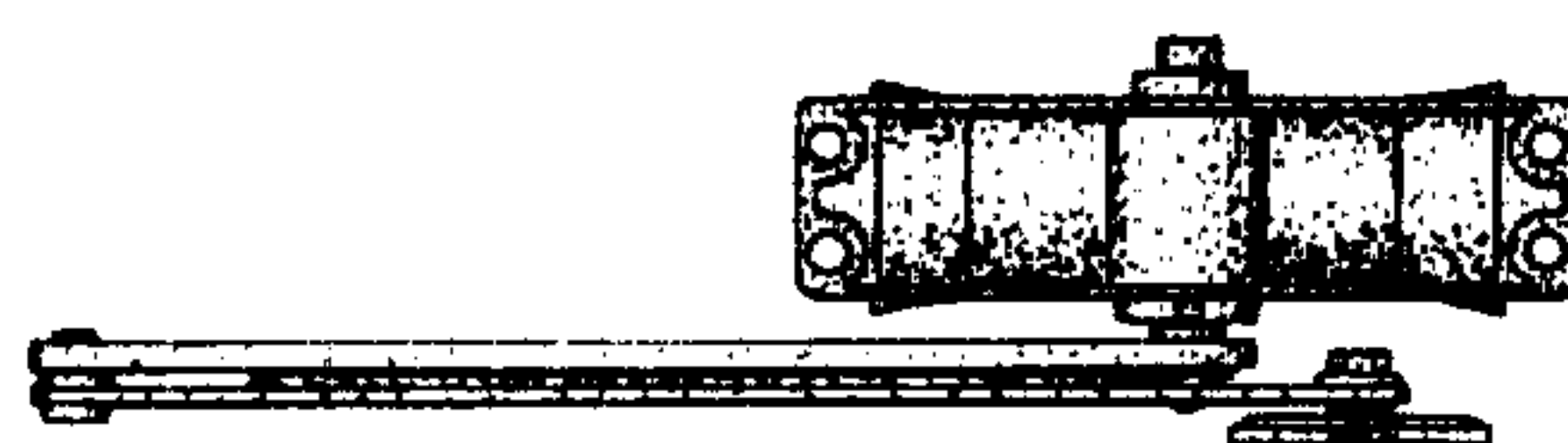


FIG. 5

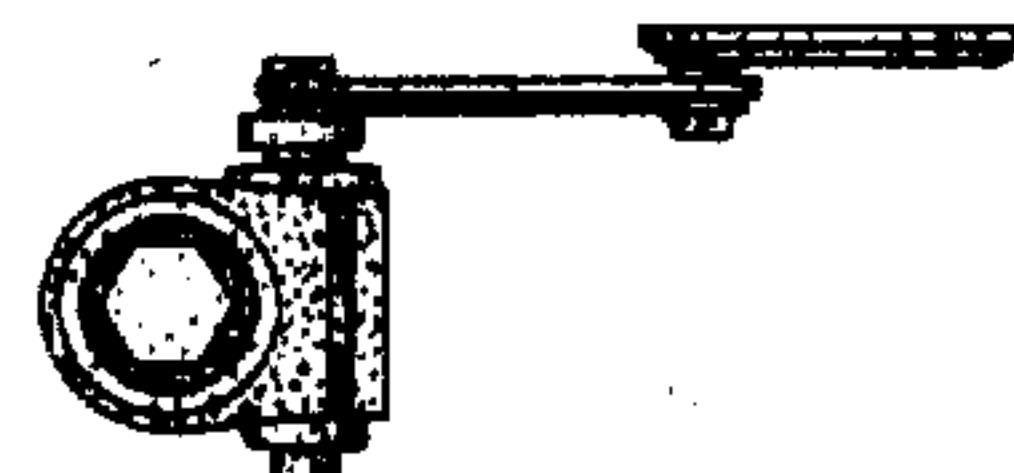


FIG. 6

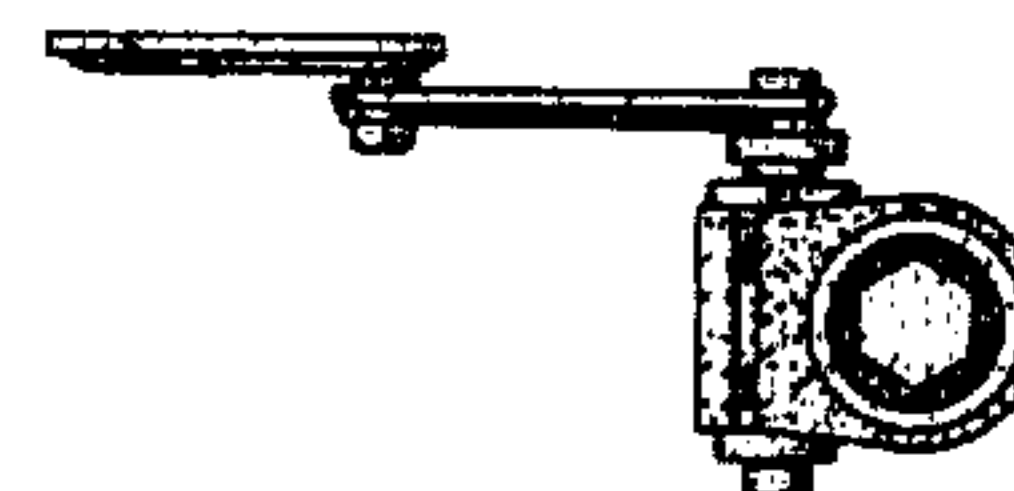


FIG. 7

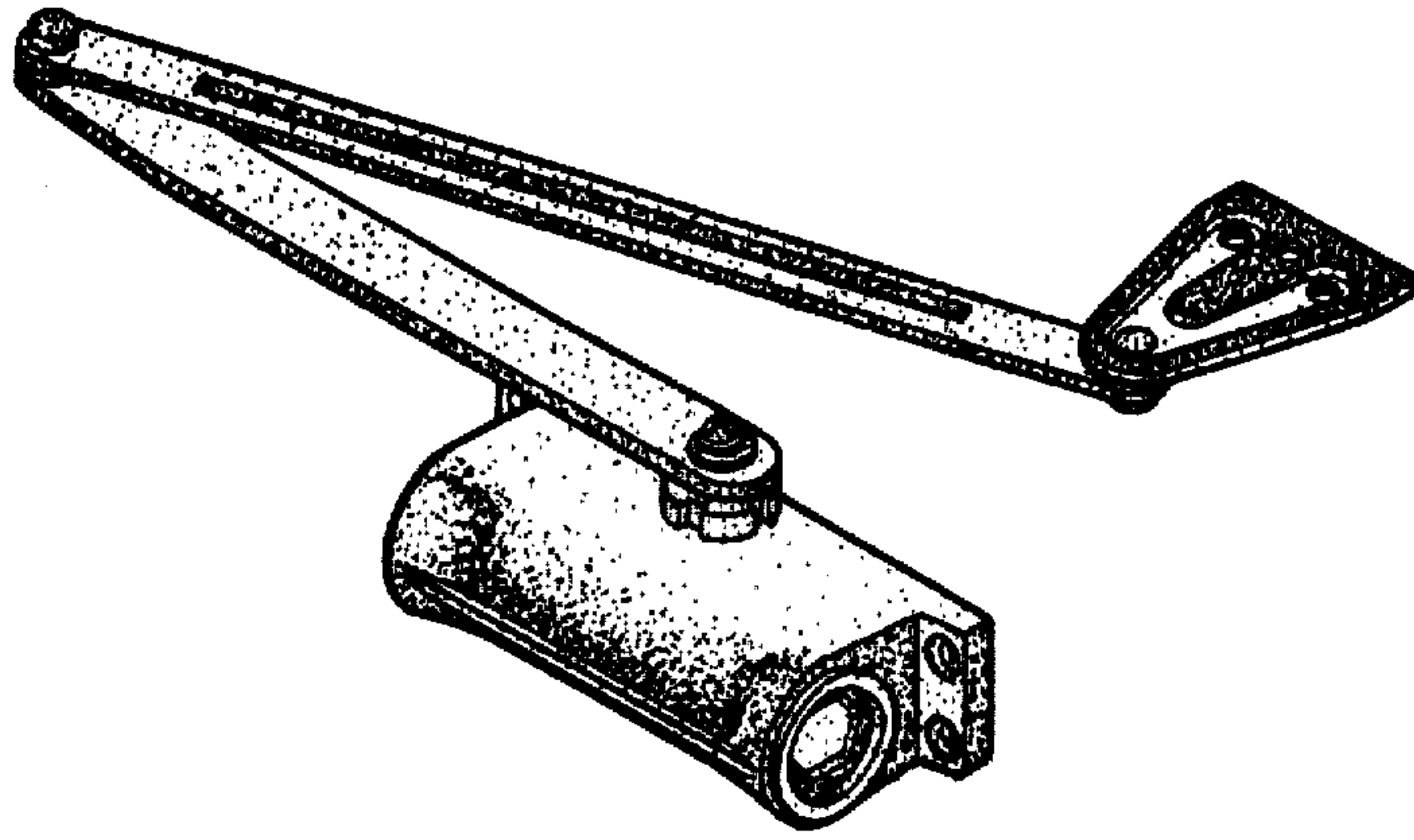


FIG. 8

