

[54] COMBINED PICTURE FRAME AND SUPPORT THEREFOR

[76] Inventor: George C. Sun, 530 Rhode Island Ave., Cherry Hill, N.J. 08002

[\*\*] Term: 14 Years

[21] Appl. No.: 314,682

[22] Filed: Oct. 26, 1981

[51] Int. Cl. .... D6-07

[52] U.S. Cl. .... D6/235; D6/233

[58] Field of Search ..... D99/34; D6/232-237, D6/246; 40/152, 152.1; 248/466

[56] References Cited

U.S. PATENT DOCUMENTS

D. 149,121	3/1948	Golden	.....	D6/235
D. 267,047	11/1982	Lindström	.....	D99/34
3,955,788	5/1976	Delage	.....	248/466

OTHER PUBLICATIONS

Gift & Art Buyer, 10-1940, p. 3, Mirror, left side of page, second from top.

Turner Mfg. Co. Cat., ©1973, Item A732, "Mirror Plaque".

Primary Examiner—Charles A. Rademaker  
Attorney, Agent, or Firm—Weiser & Stapler

[57] CLAIM

The ornamental design for a combined picture frame and support therefor, substantially as shown and described.

DESCRIPTION

FIG. 1 is a front perspective view of a combined picture frame and support therefor showing my new design, FIG. 2 is a side elevational view thereof, FIG. 3 is a side elevational view thereof taken after rotating the picture frame 180° from its position in FIG. 2, FIG. 4 is a top plan view thereof, FIG. 5 is a side elevational view thereof taken after rotating the picture frame 90° from its position in FIG. 2, FIG. 6 is a side elevational view thereof taken after rotating the picture frame 180° from its position in FIG. 5, FIG. 7 is a bottom plan view thereof.

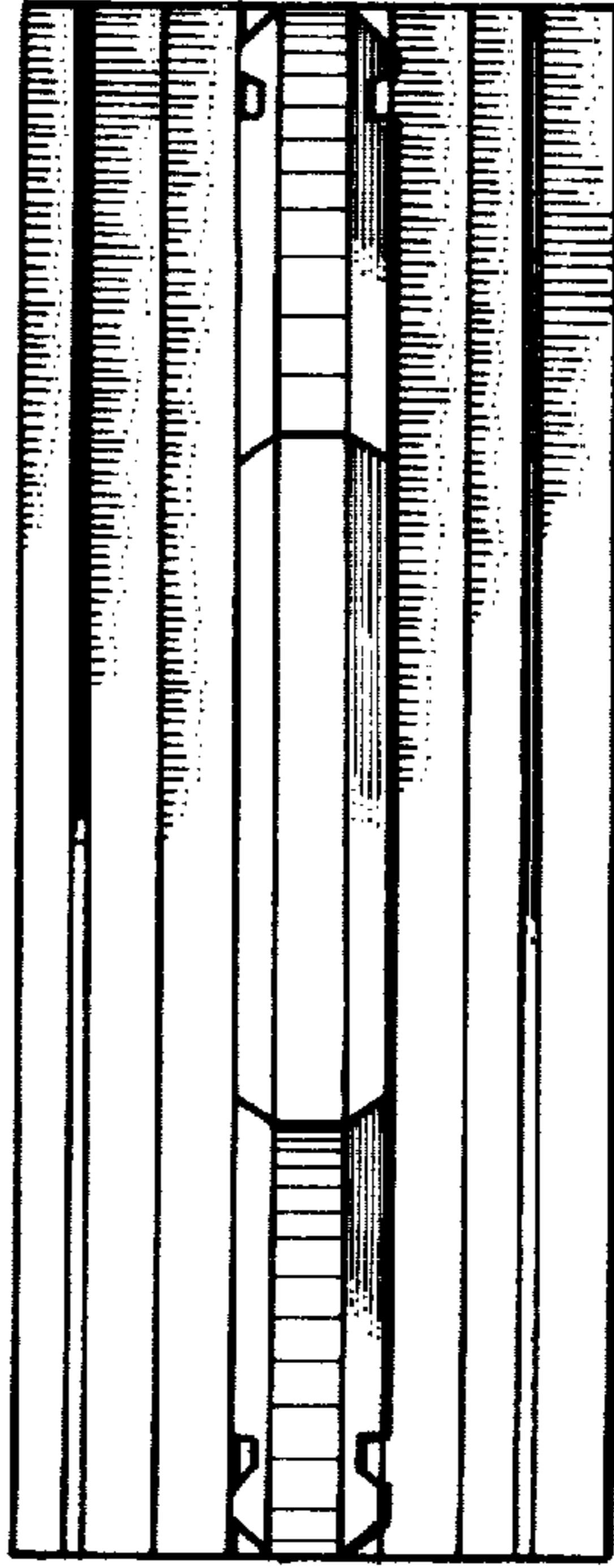


FIG. 1

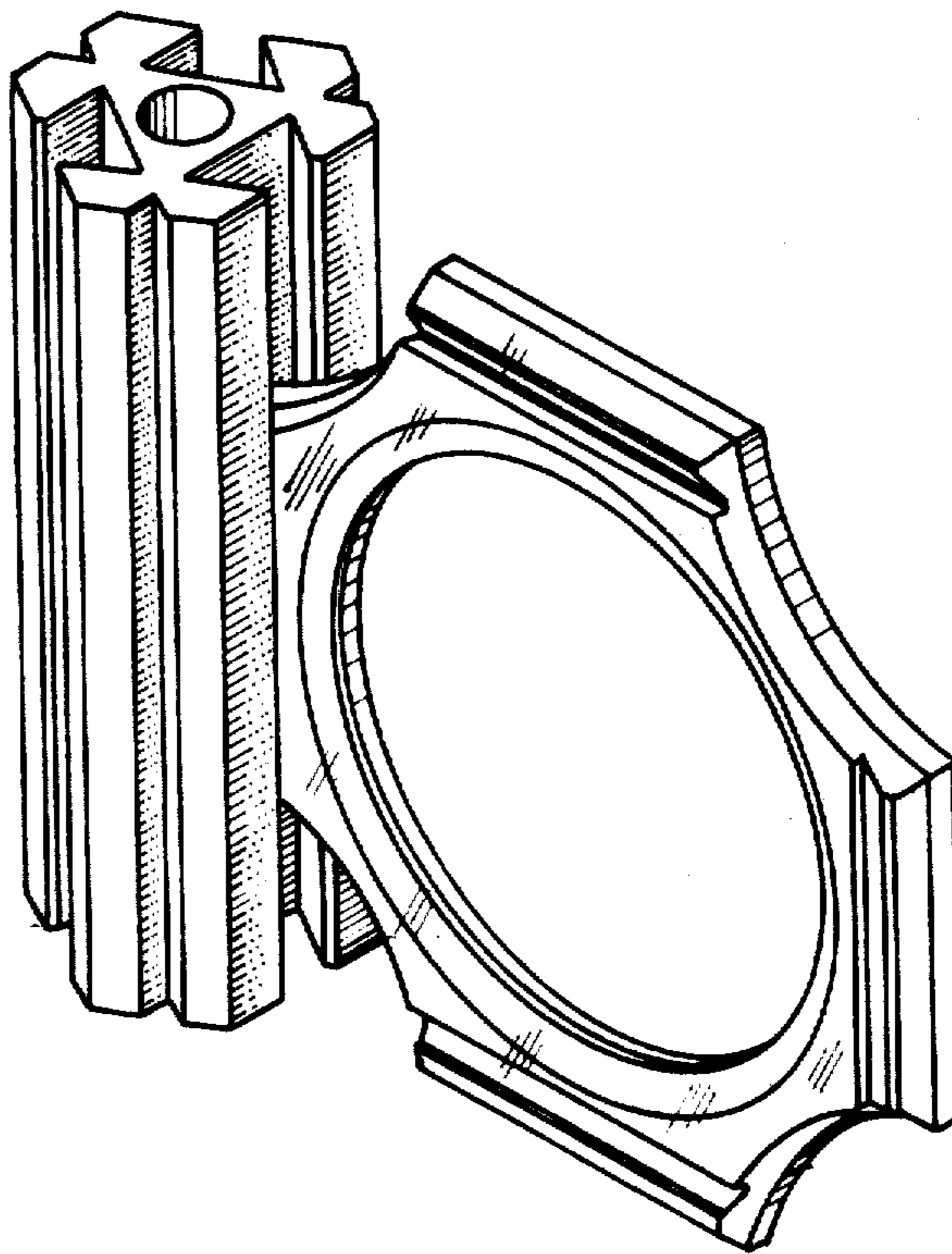


FIG. 3

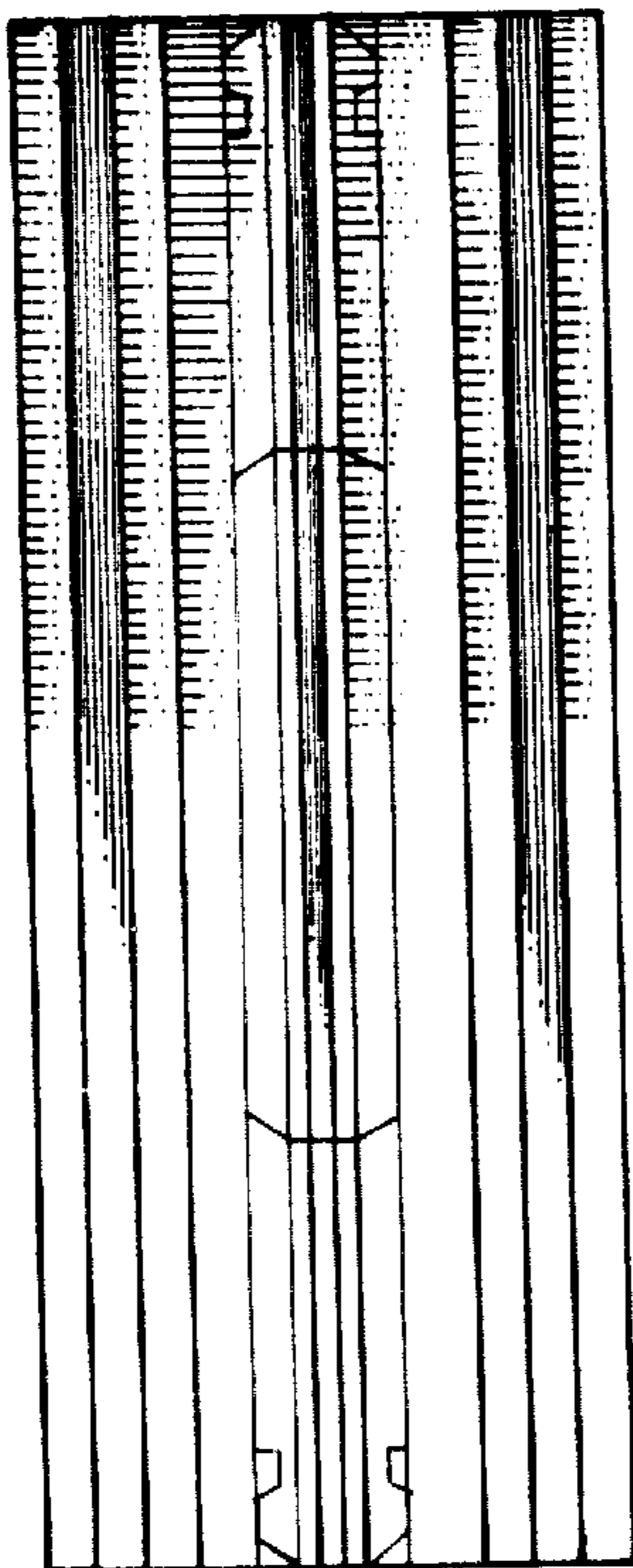


FIG. 2

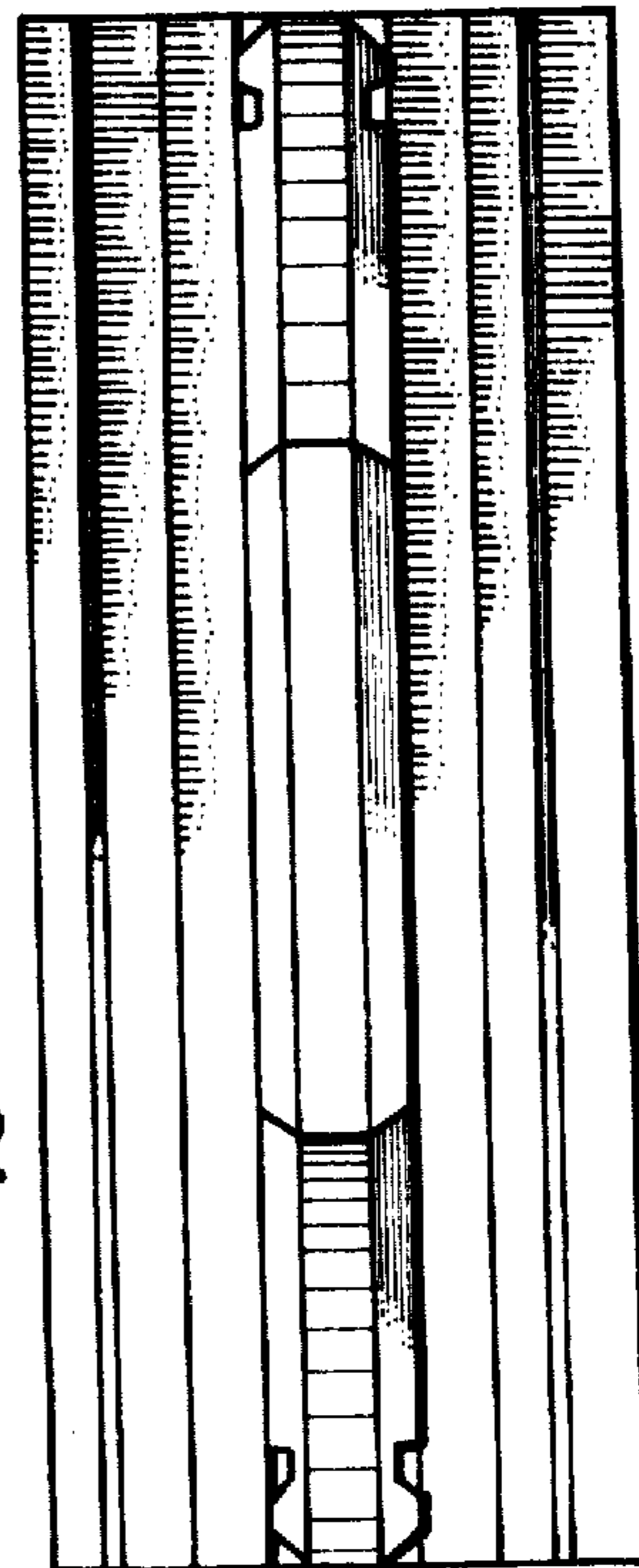


FIG. 4

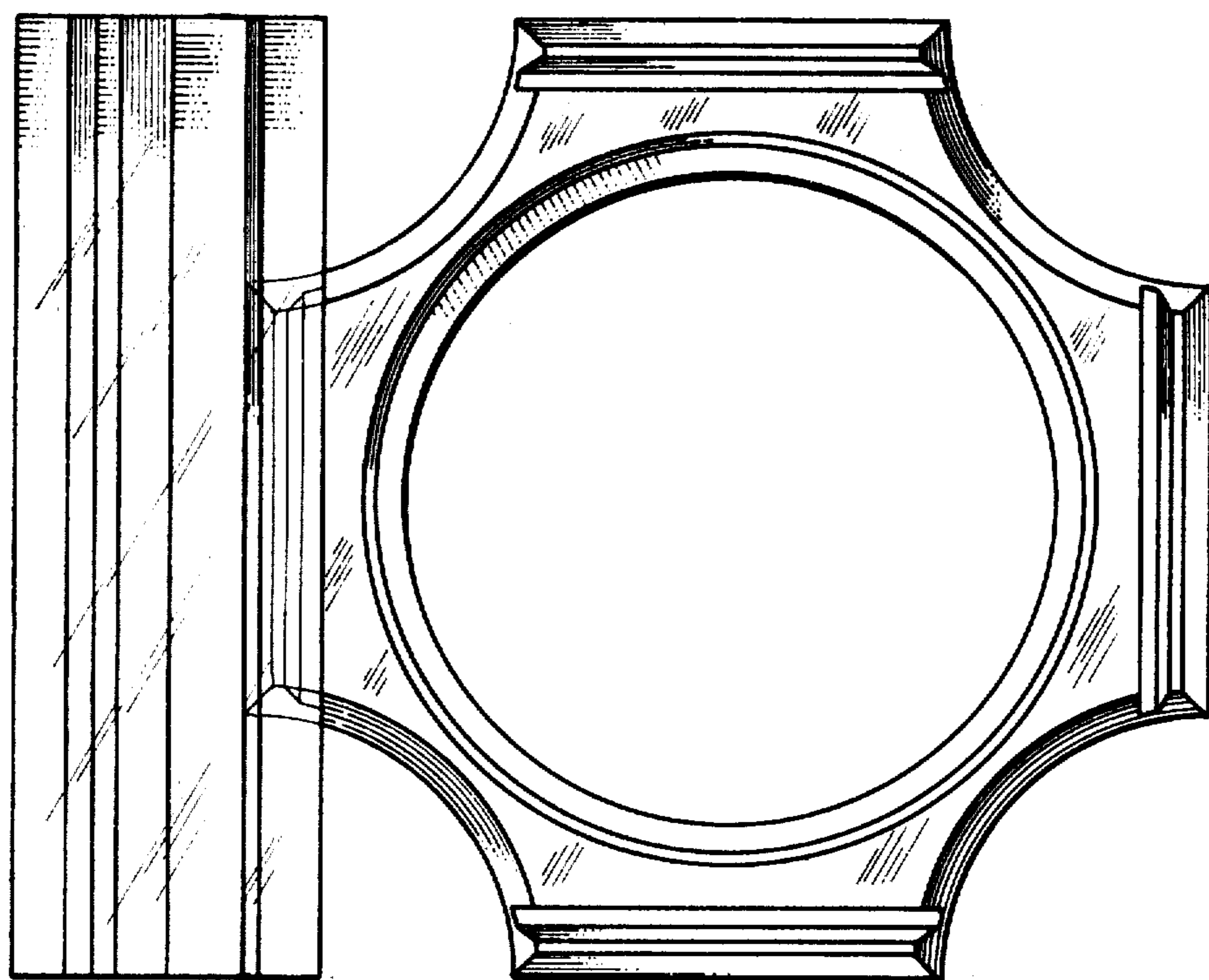
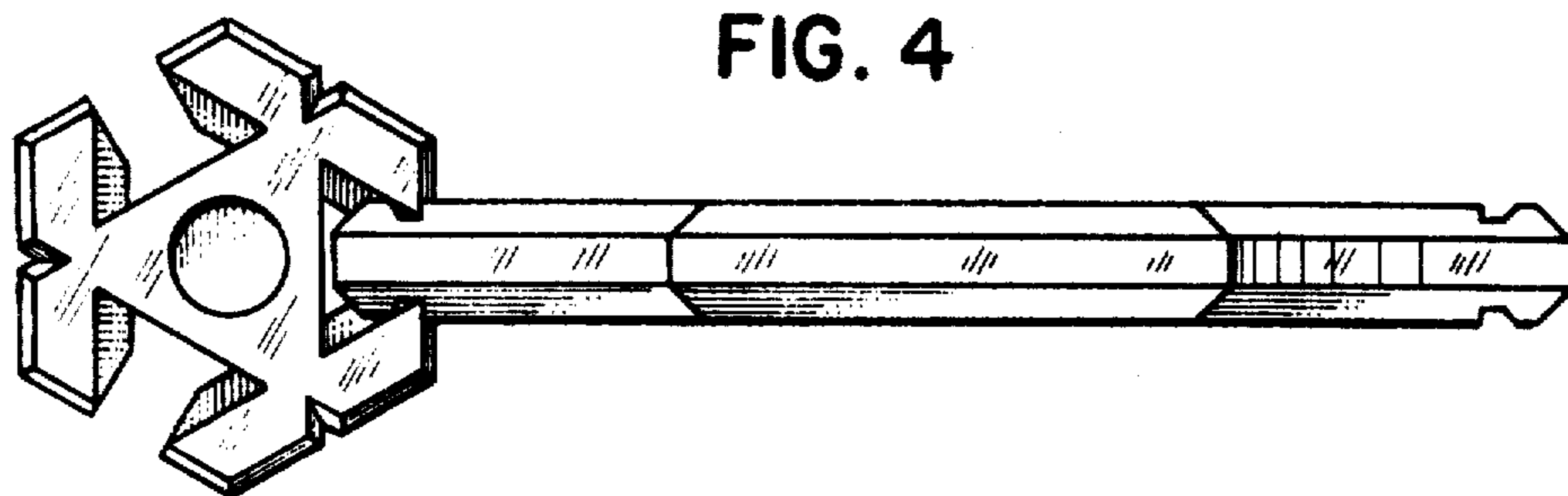


FIG. 5

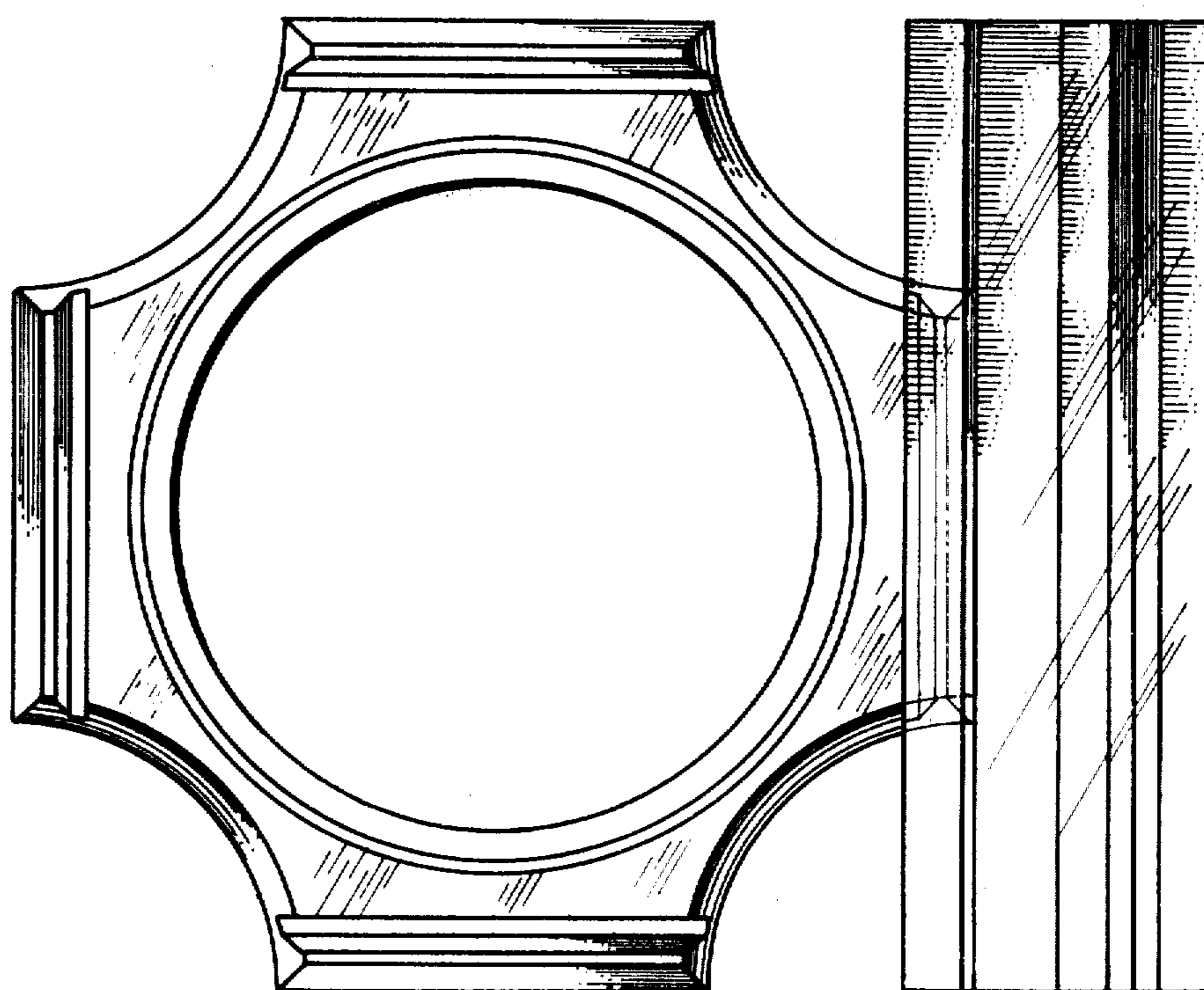


FIG. 6

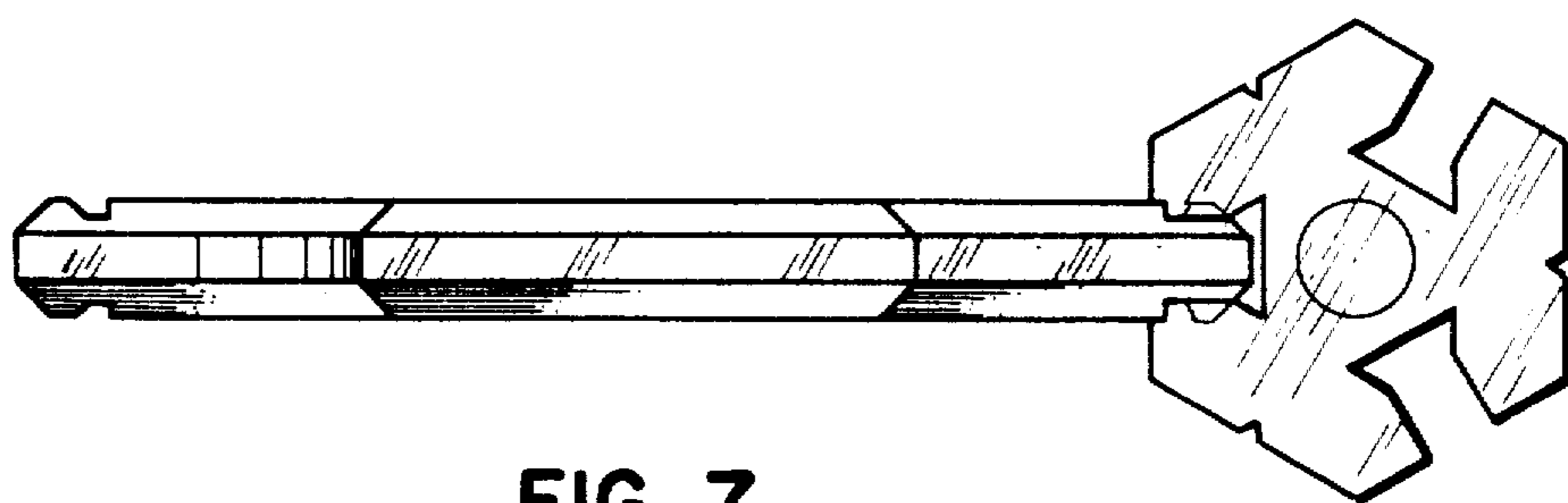


FIG. 7