

[54] **BOOKCASE OR SIMILAR ARTICLE**

[75] Inventor: **Nicholas A. Ungaro, Louisville, Ky.**
[73] Assignee: **Schweiger Industries, Inc., Jefferson, Wis.**
[**] Term: **14 Years**
[21] Appl. No.: **245,679**
[22] Filed: **Mar. 19, 1981**

Related U.S. Application Data

[62] Division of Ser. No. 72,765, Sep. 5, 1979.
[51] Int. Cl. **D06—04**
[52] U.S. Cl. **D6/167; D6/186**
[58] Field of Search **D6/85, 167, 108, 150, D6/181, 186**

[56] **References Cited**

U.S. PATENT DOCUMENTS

D. 188,742 8/1960 Kiegel et al. D6/186
D. 259,685 6/1981 Scalice D6/186 X

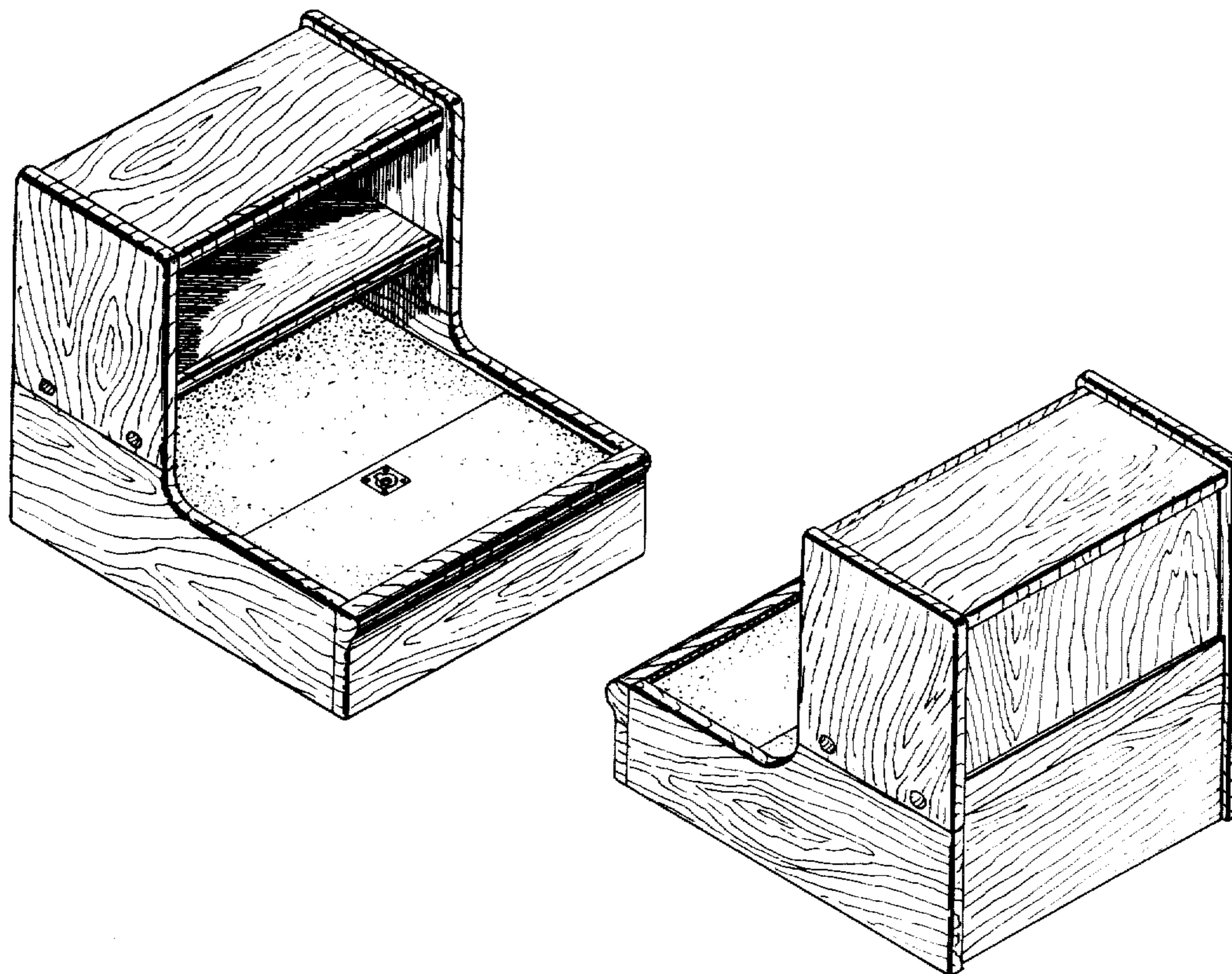
Primary Examiner—Joel Stearman
Assistant Examiner—Carmen H. Vales
Attorney, Agent, or Firm—Lalos, Leeds, Keegan, Lett & Marsh

[57] **CLAIM**

The ornamental design for a bookcase or similar article, as shown and described.

DESCRIPTION

FIG. 1 is a perspective view of a bookcase or similar article showing my new design;
FIG. 2 is a rear perspective view thereof;
FIG. 3 is a front elevational view thereof; and
FIG. 4 is a top plan view thereof.



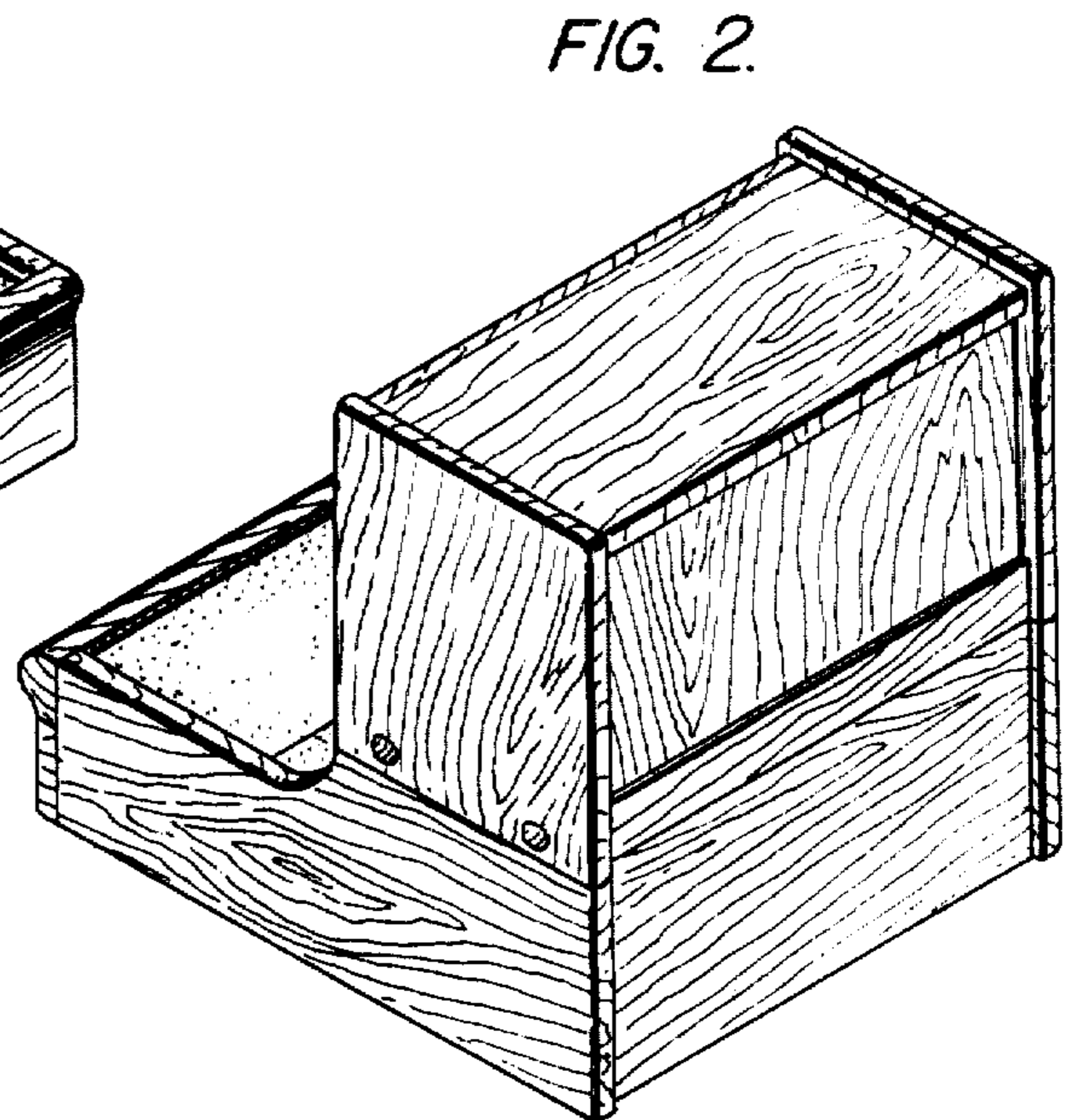
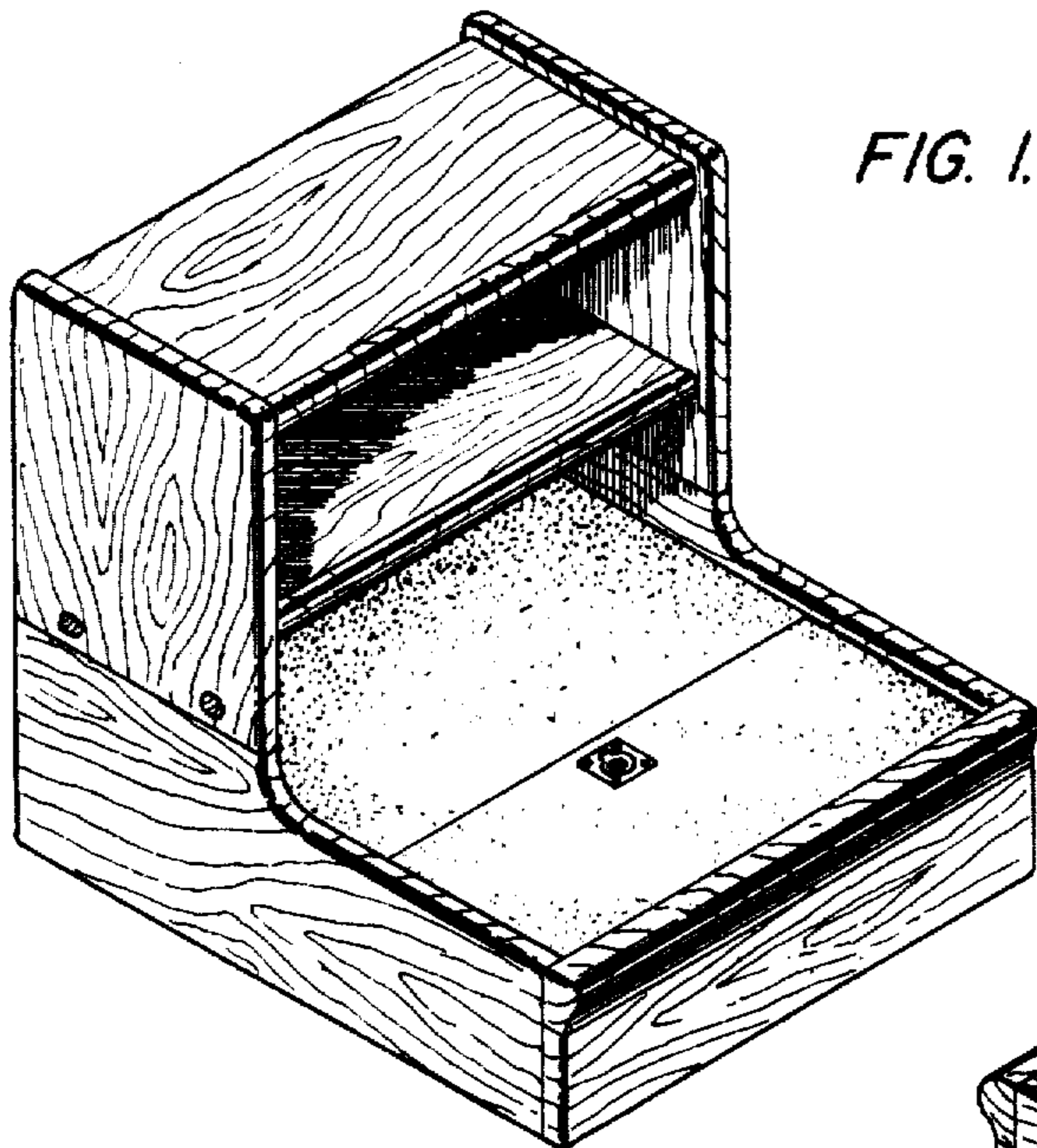


FIG. 3.

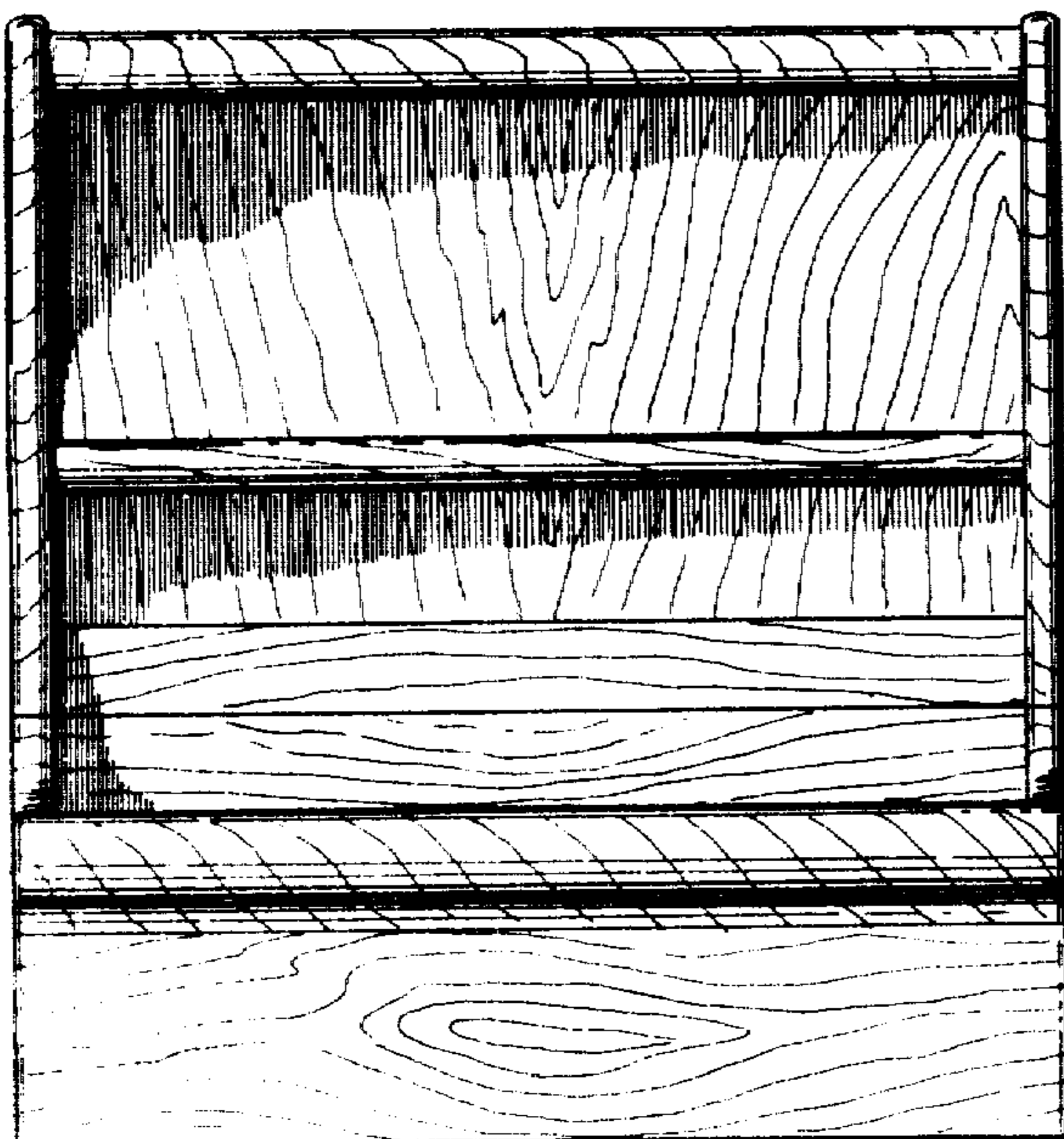


FIG. 4.

