

[54] STEP STOOL

[75] Inventor: Donald R. McClelland, Wooster, Ohio

[73] Assignee: Rubbermaid Incorporated, Wooster, Ohio

[\*\*] Term: 14 Years

[21] Appl. No.: 285,395

[22] Filed: Jul. 20, 1981

[51] Int. Cl. .... D6—01

[52] U.S. Cl. .... D6/32; D6/36

[58] Field of Search ..... D6/47, 57, 58, 32-36; 297/461, 462

[56] References Cited

U.S. PATENT DOCUMENTS

- D. 51,262 9/1917 Zagora ..... D6/32
- D. 157,319 2/1950 Bair ..... D6/32
- D. 230,452 2/1974 Jennings ..... D6/32 X
- D. 232,403 8/1974 Martinelli ..... D6/146
- D. 265,026 6/1982 Macho et al. .... D6/32

4,212,090 7/1980 Ehrlich ..... 297/462 X

Primary Examiner—Bruce W. Dunkins  
Attorney, Agent, or Firm—Hamilton, Renner & Kenner

[57] CLAIM

The ornamental design for a step stool, as shown and described.

DESCRIPTION

FIG. 1 is a top perspective view of a step stool embodying my new design.

FIG. 2 is a bottom perspective view thereof.

FIG. 3 is a side elevational view thereof.

FIG. 4 is an end elevational view thereof.

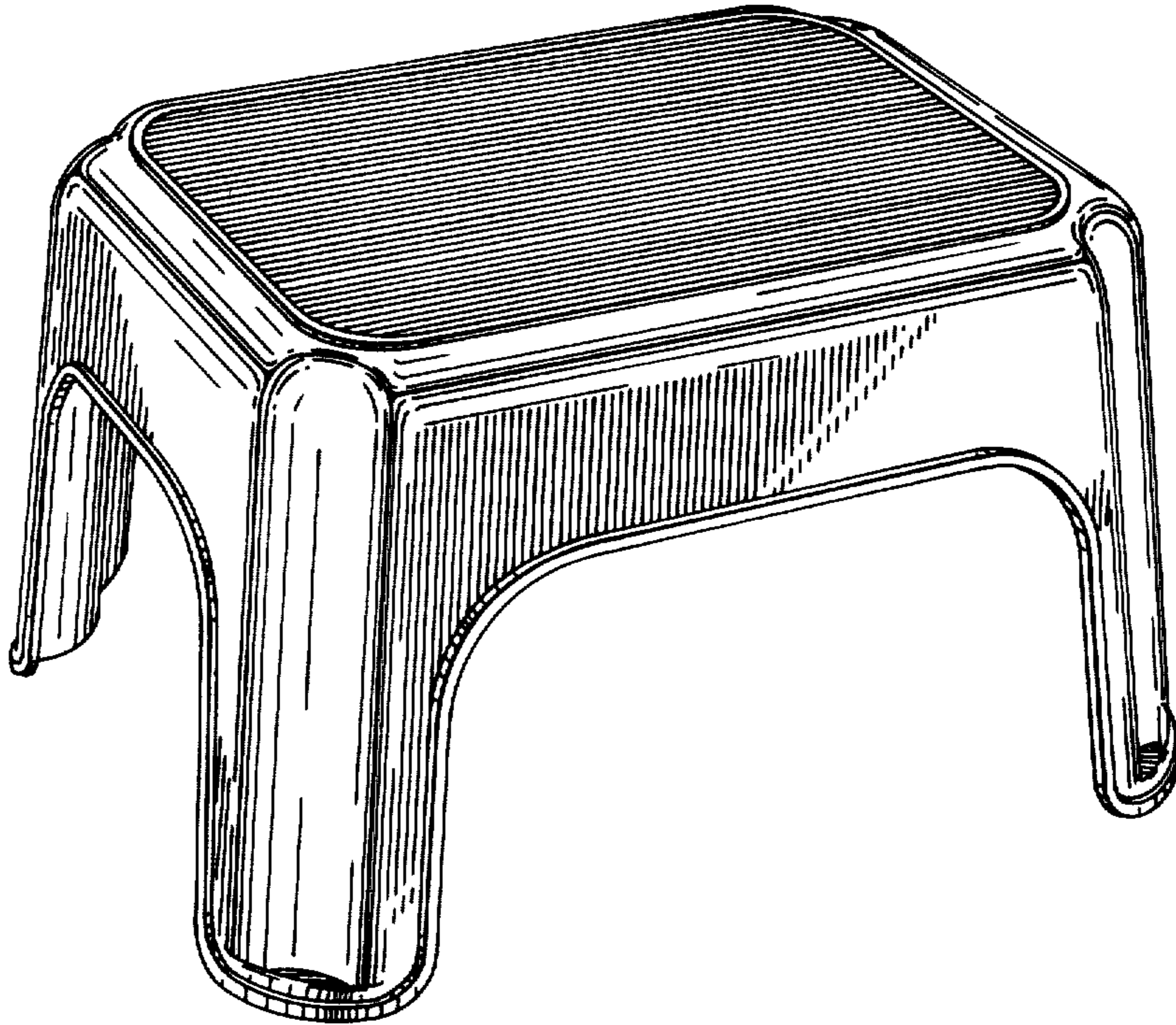
FIG. 5 is a sectional view on line 5—5 of FIG. 4.

FIG. 6 is a sectional view on line 6—6 of FIG. 3.

FIG. 7 is an enlarged fragmentary sectional view on line 7—7 of FIG. 3.

FIG. 8 is an enlarged sectional view on line 8—8 of FIG. 3.

The side opposite to that shown in FIG. 3 is a mirror image thereof, and the end opposite to that shown in FIG. 4 is a mirror image thereof.



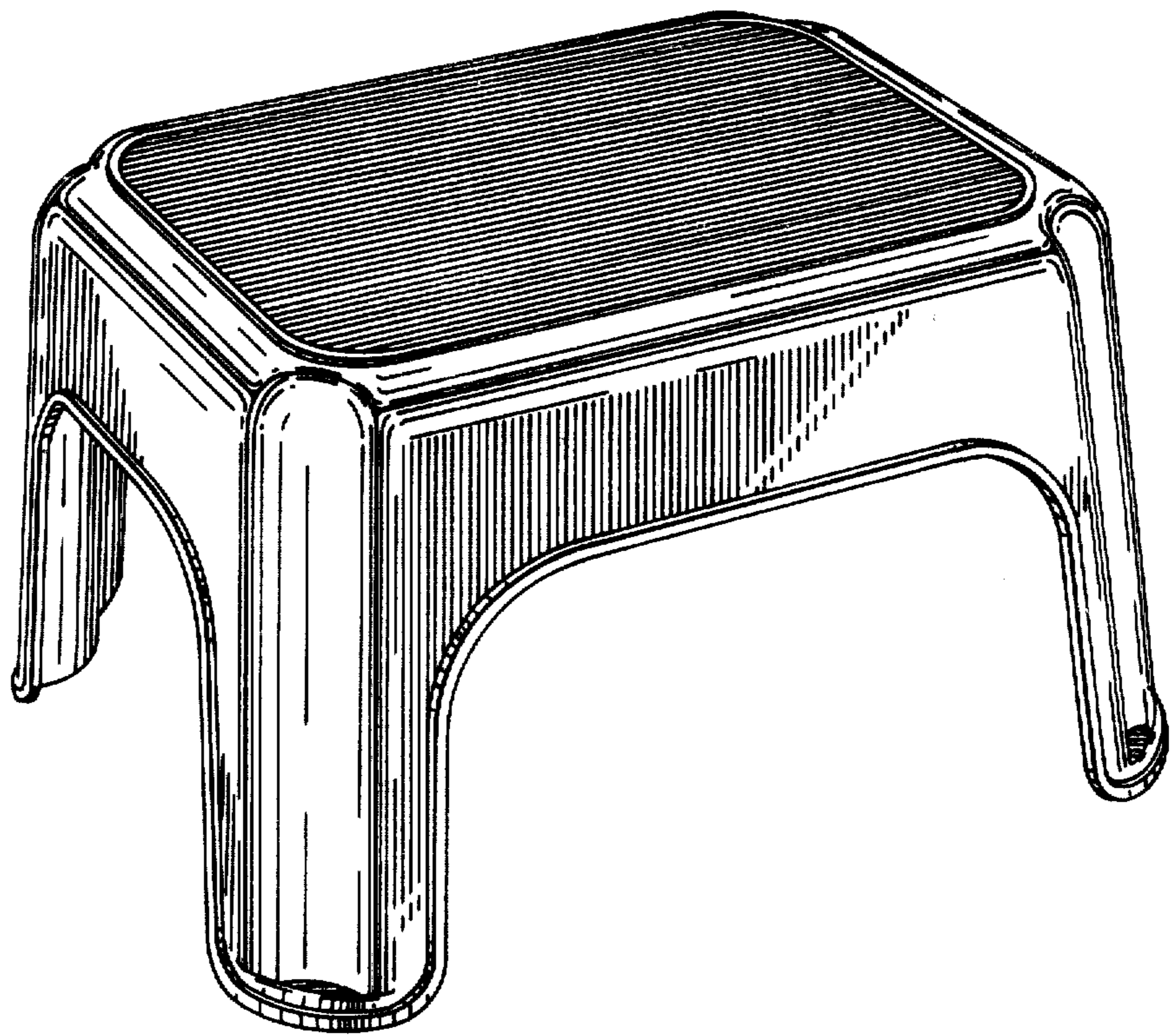


FIG. 1

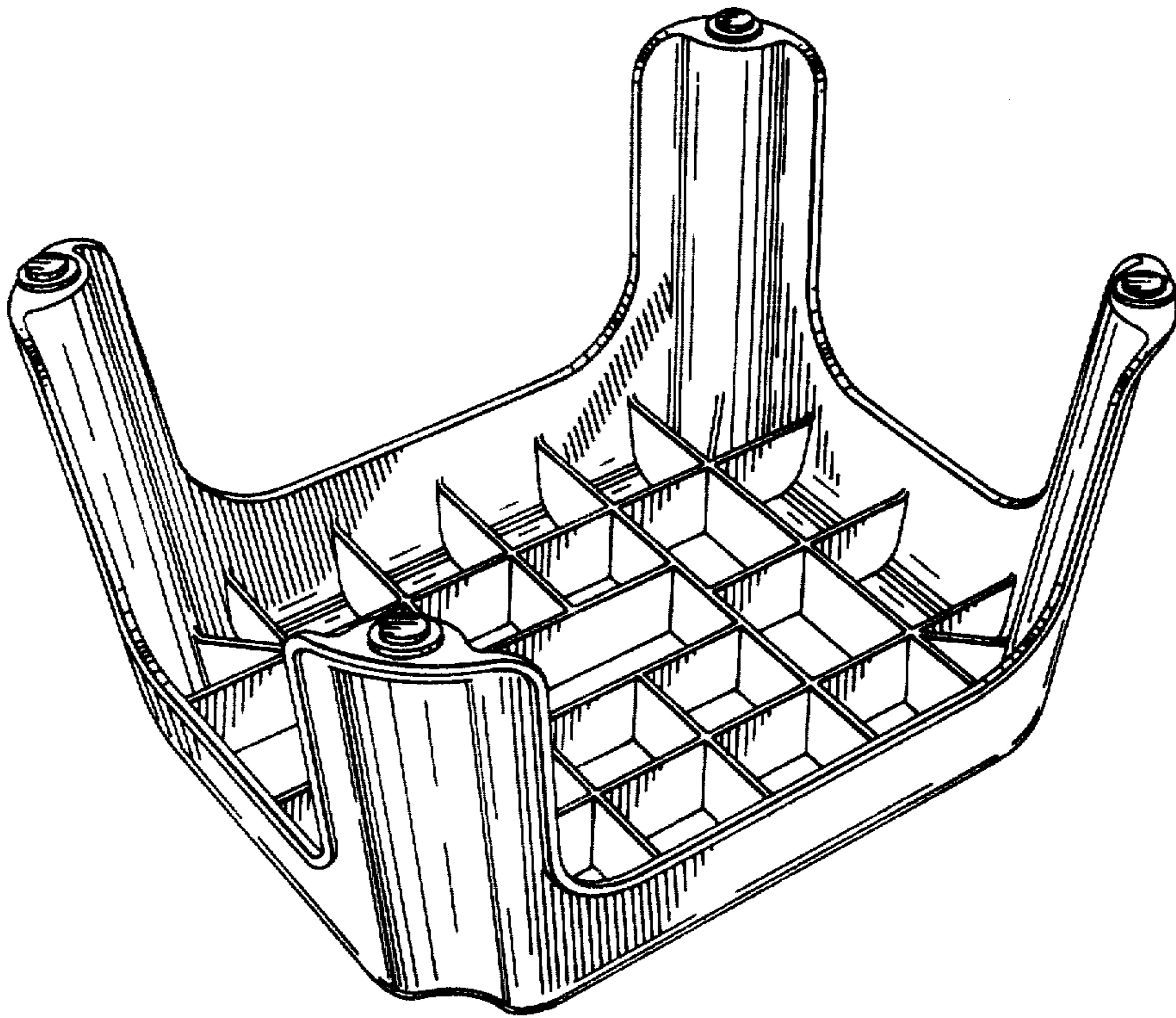


FIG. 2

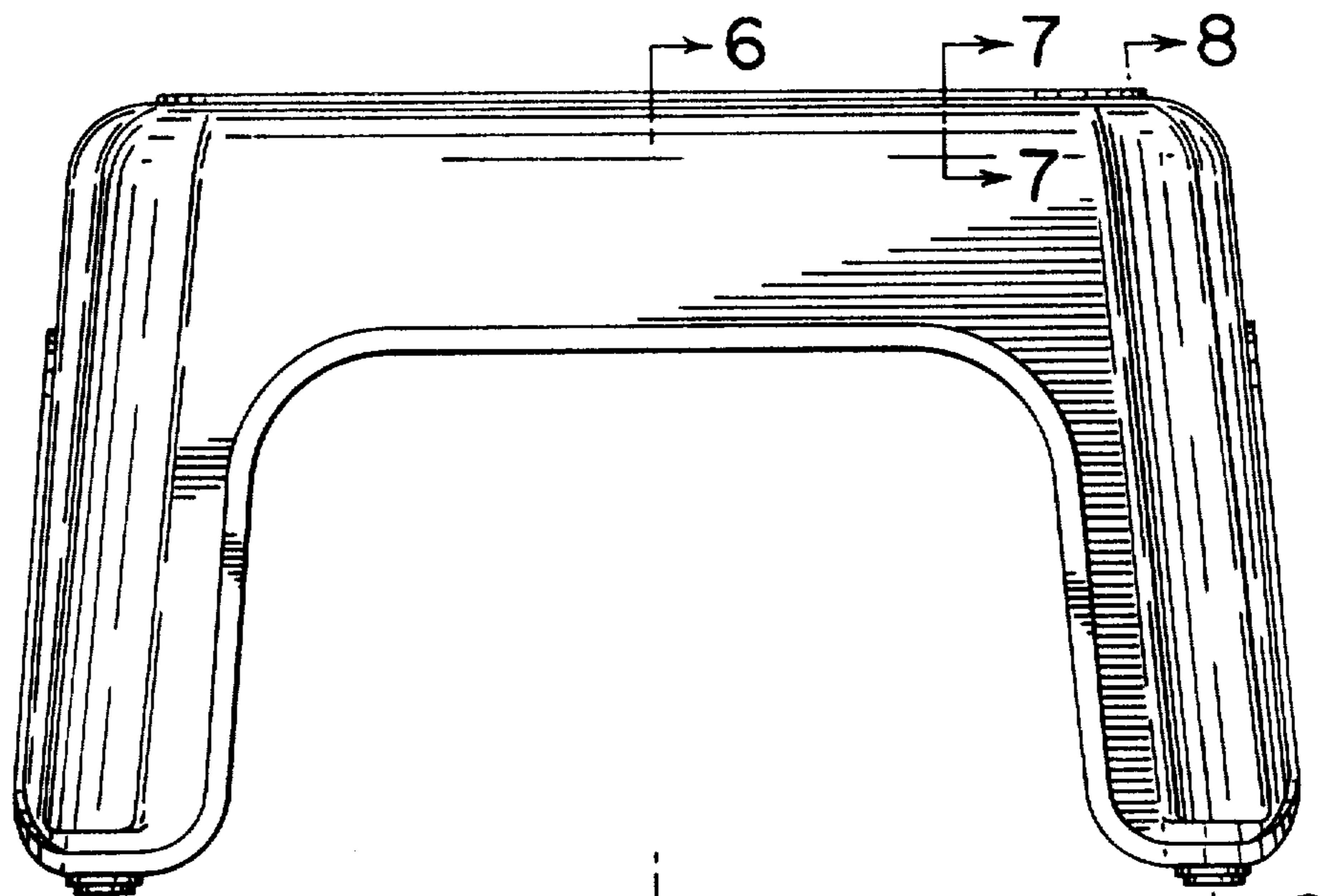


FIG. 3

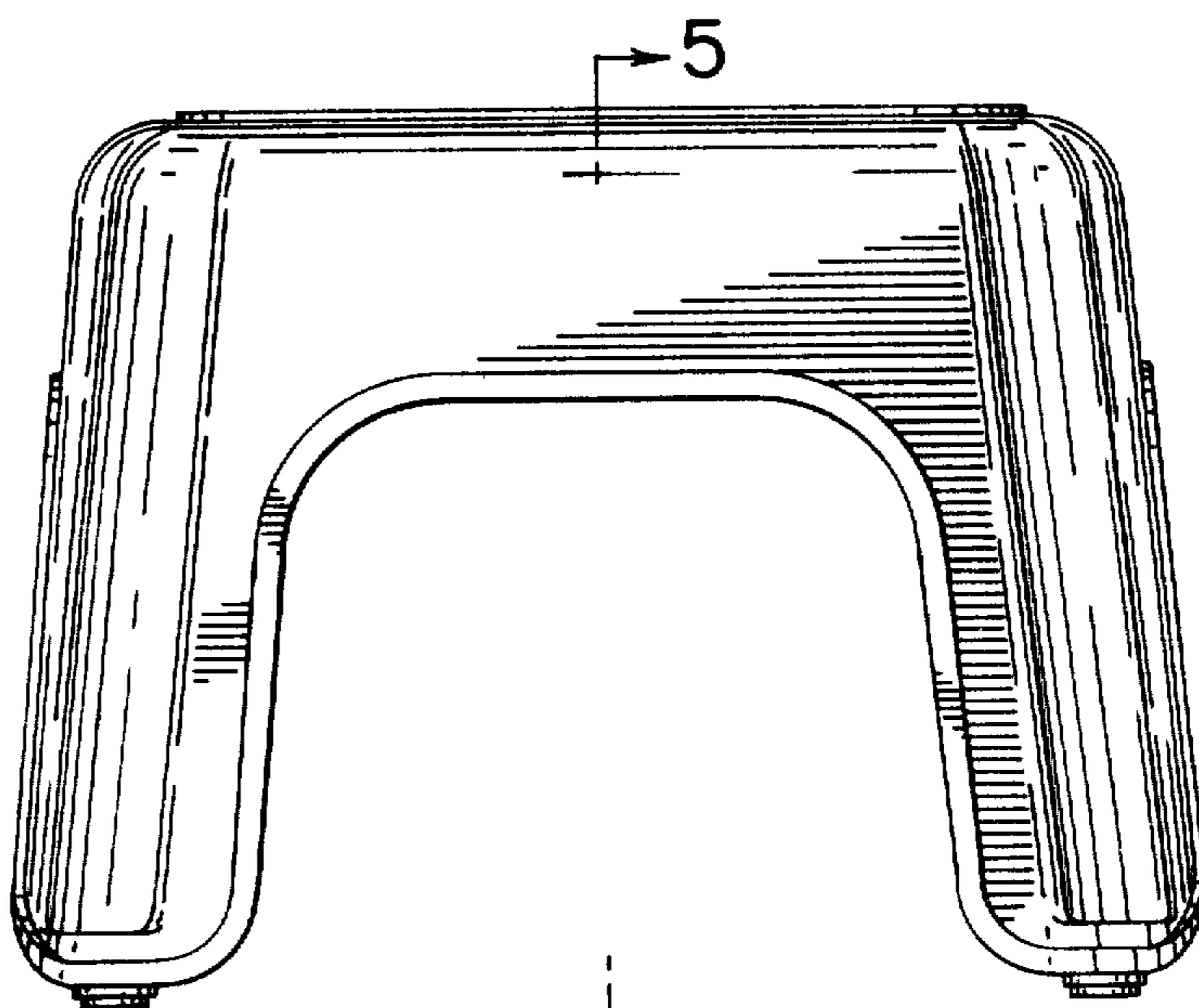
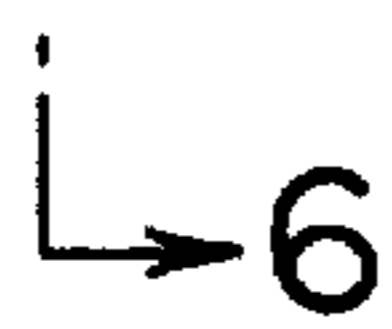


FIG. 4

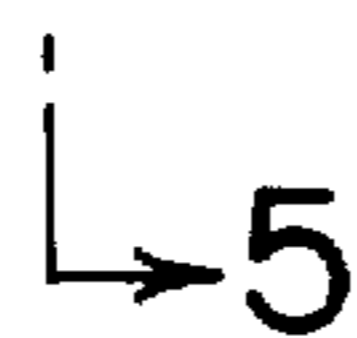


FIG. 5

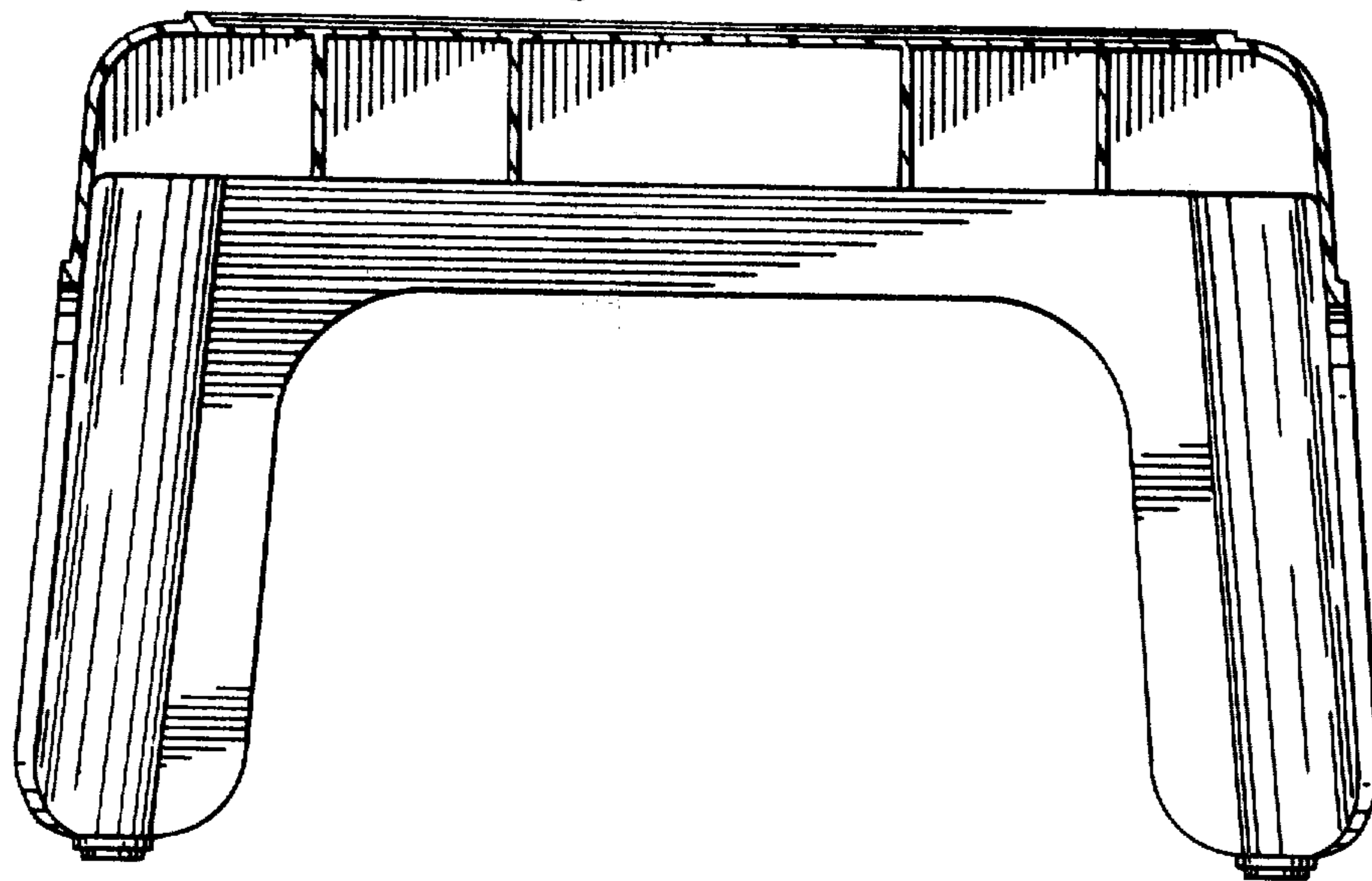


FIG. 6

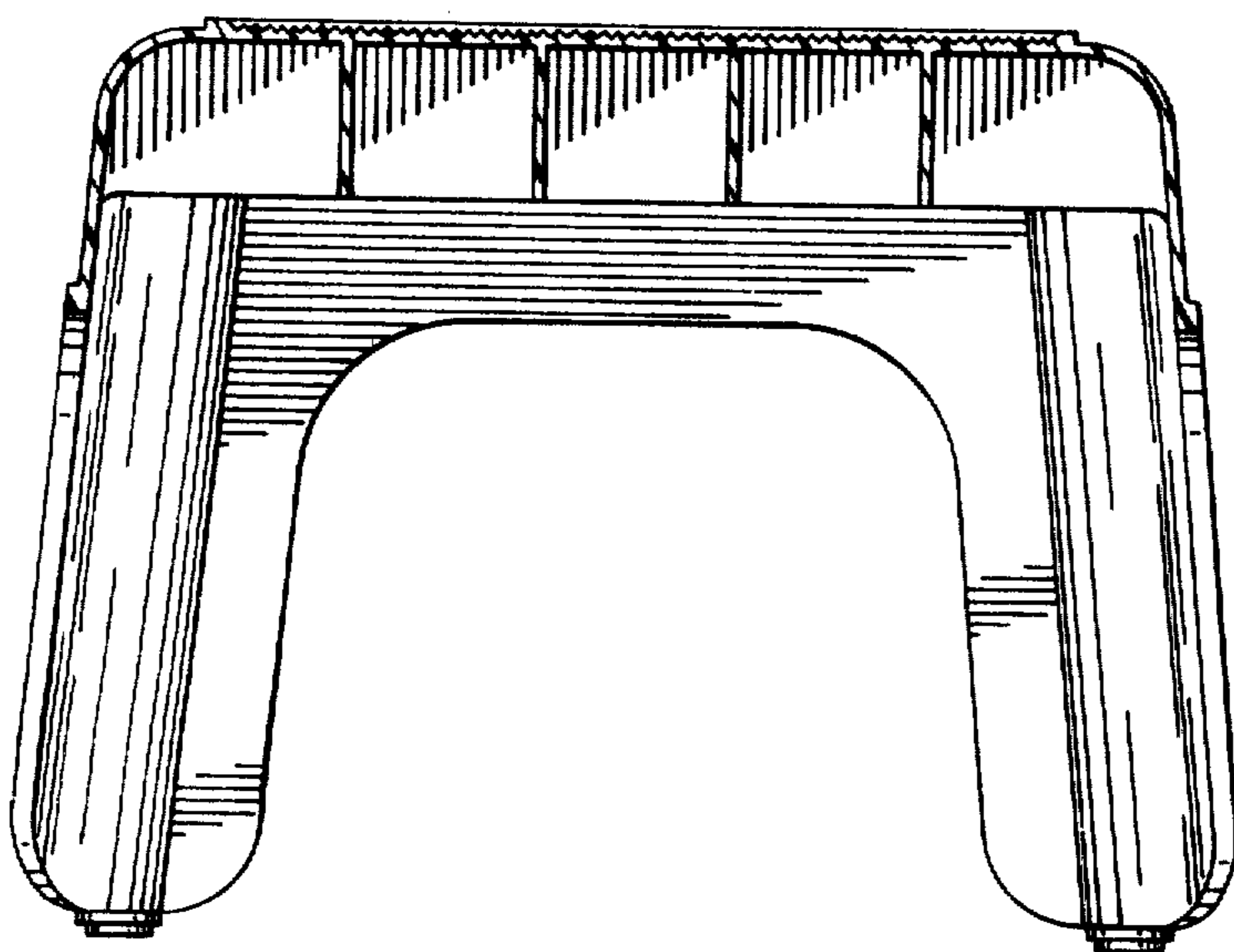


FIG. 8

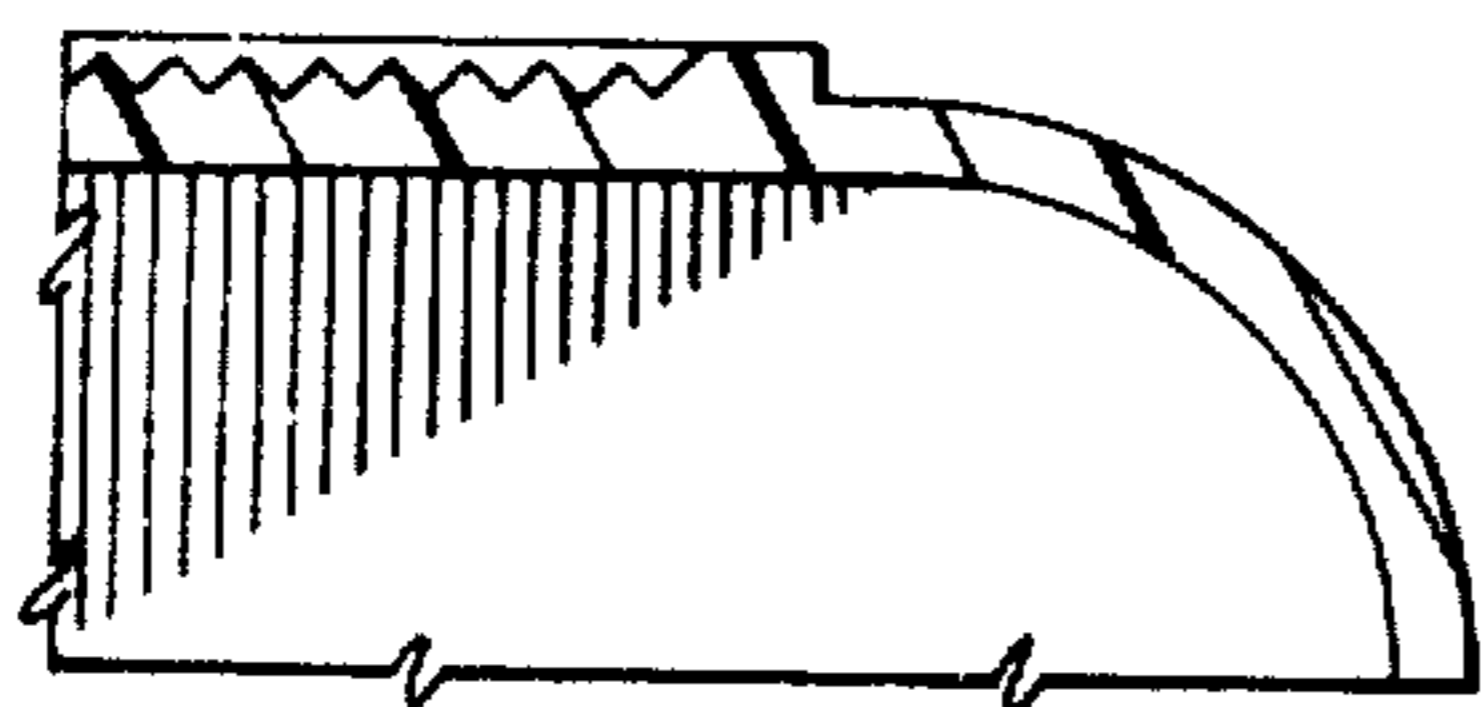


FIG. 7