

[54] **SPRAY**
[75] Inventor: **Carlos M. Martinez**, Barcelona, Spain
[73] Assignee: **Monturas Y Fornituras, S.A.**, Barcelona, Spain
[**] Term: **14 Years**
[21] Appl. No.: **285,775**
[22] Filed: **Jul. 22, 1981**
[30] **Foreign Application Priority Data**
Feb. 14, 1981 [ES] Spain 98,814
[51] Int. Cl. **D28-03**
[52] U.S. Cl. **D28/91.1; D28/5**
[58] Field of Search D28/4, 5, 73, 76, 77, D28/91.1, 82; D9/337, 377, 390, 403, 413, 300; 206/235, 385, 581, 823; 401/118, 125, 129, 130, 195, 196, 198, 202, 261, 262, 266, DIG. 1; D27/36-38, 42

[56] **References Cited**
U.S. PATENT DOCUMENTS
D. 102,012 11/1936 Vuilleminot D28/91.1
D. 105,046 6/1937 Vuilleminot D28/91.1
D. 118,778 1/1940 Hoch D28/91.1
D. 167,777 9/1952 Spender D28/82 X
D. 214,019 5/1969 Newman D9/377

Primary Examiner—Louis S. Zarfes
Attorney, Agent, or Firm—James D. Halsey, Jr.

[57] **CLAIM**
The ornamental design for a spray, as shown and described.

DESCRIPTION
FIG. 1 is a front elevational view of a spray showing my new design, the rear being a mirror image;
FIG. 2 is a left side elevational view thereof;
FIG. 3 is a top plan view thereof;
FIG. 4 is a right side elevational view thereof; and
FIG. 5 is a bottom plan view thereof.

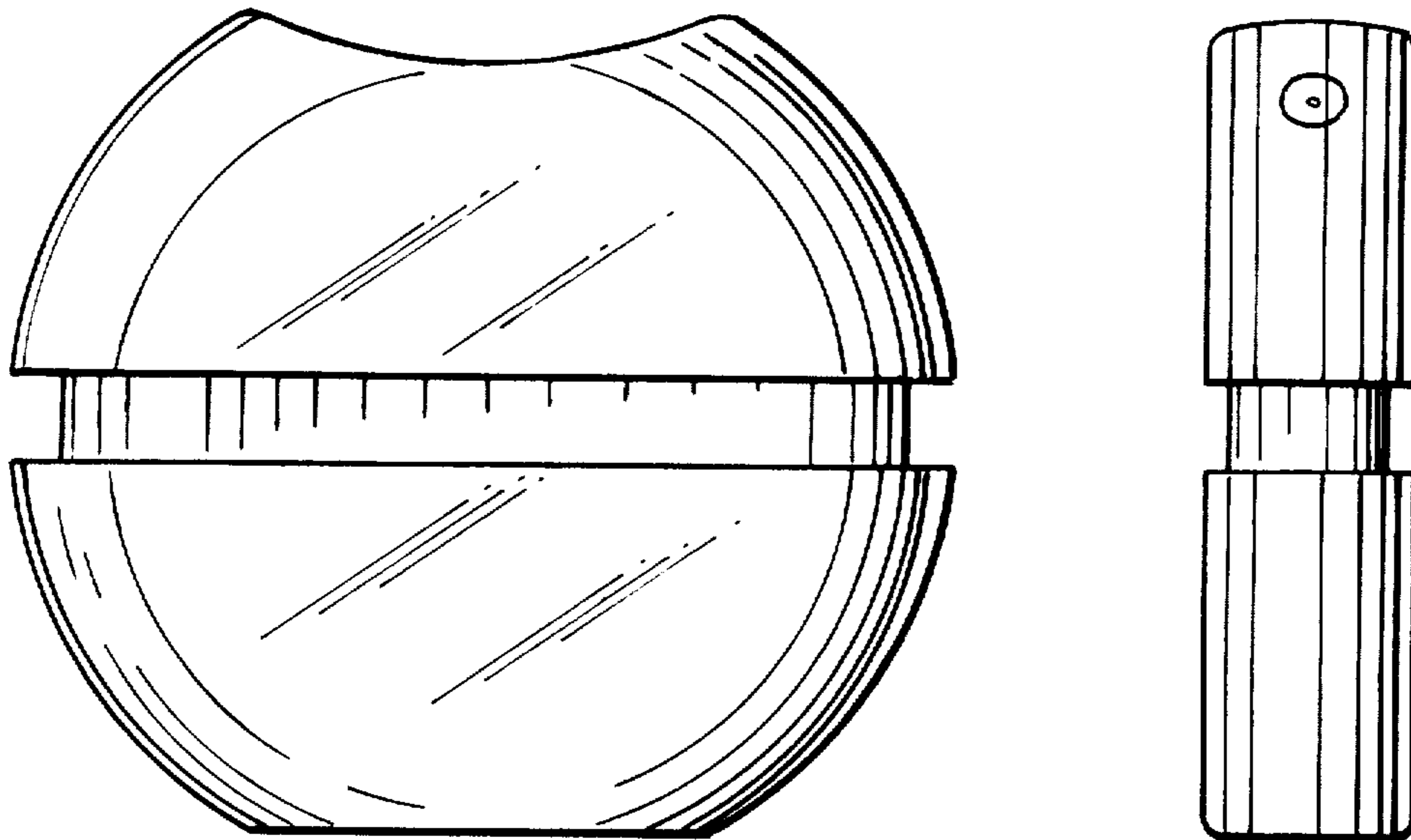


FIG. 1

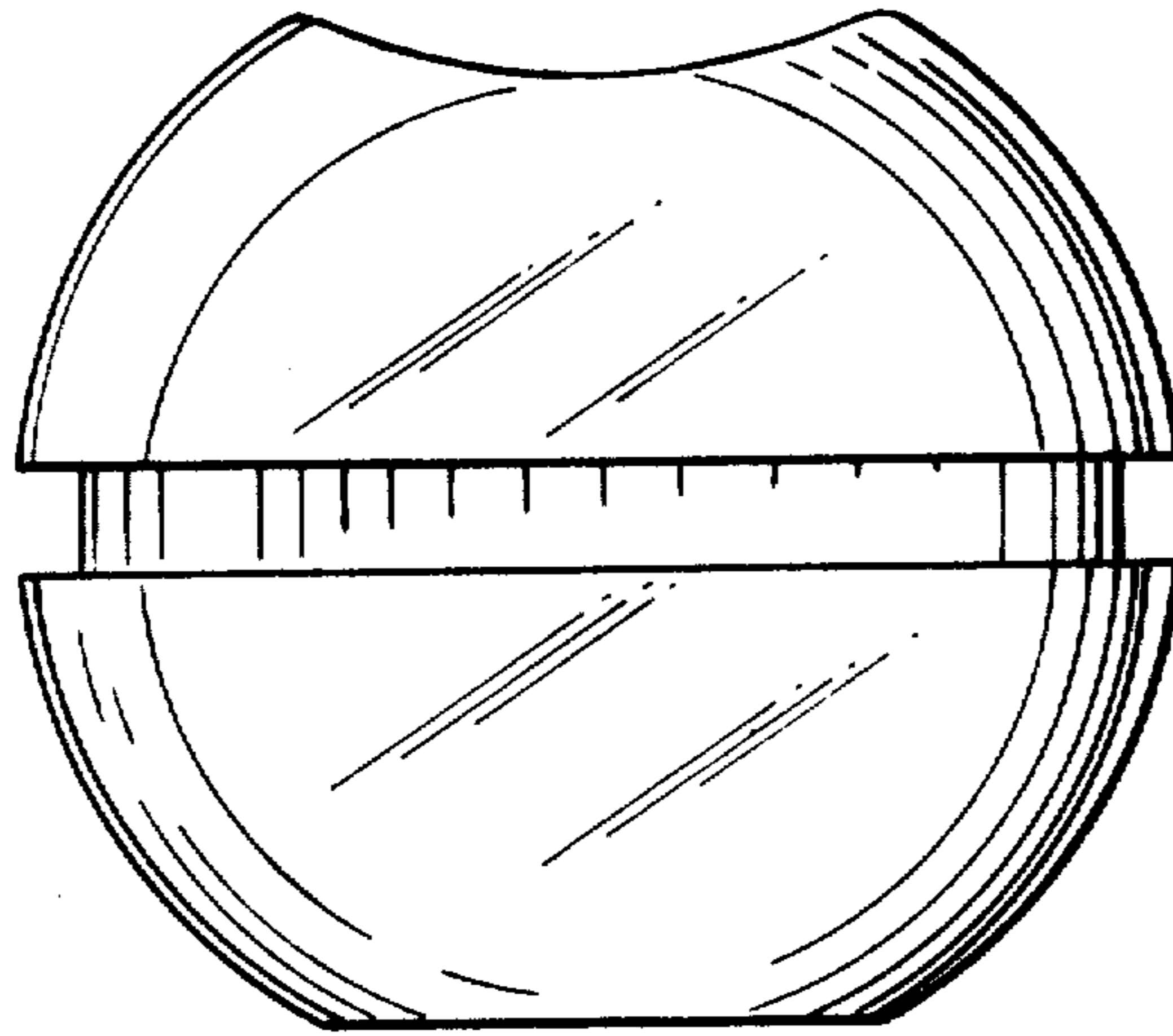


FIG. 2

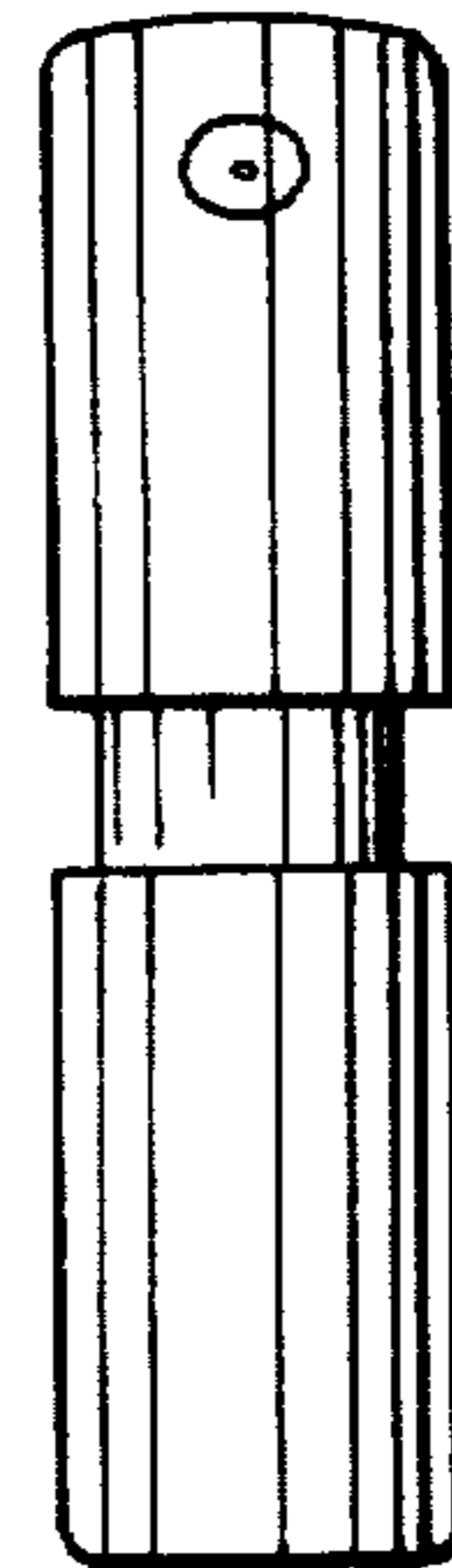


FIG. 3

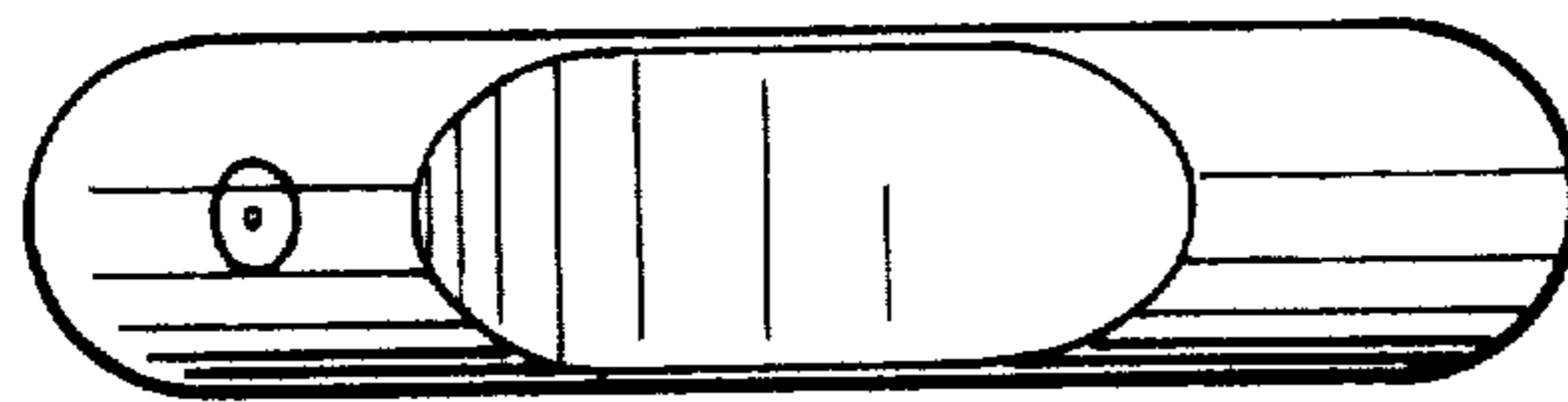


FIG. 4

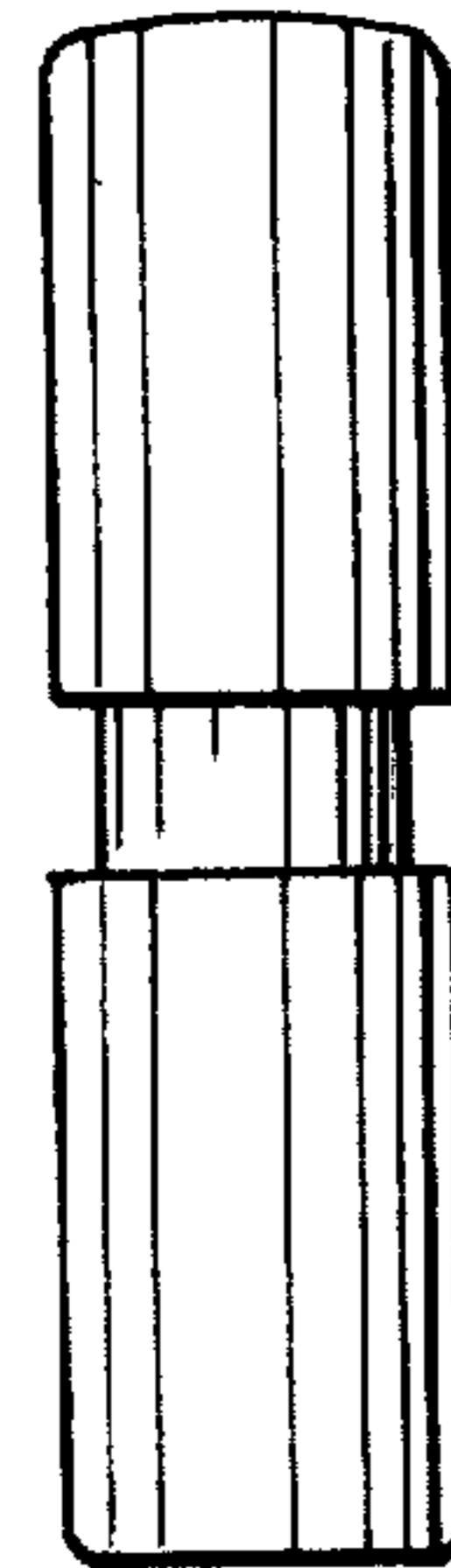


FIG. 5

