

[54] PASSIVE HEAT EXCHANGER

[76] Inventor: Benjamin L. Valencia, 38½ B New York St., Dover, N.H. 03820

[**] Term: 14 Years

[21] Appl. No.: 292,508

[22] Filed: Aug. 13, 1981

[51] Int. Cl. D23—03

[52] U.S. Cl. D23/136

[58] Field of Search D23/72, 95, 127, 136; 126/121; 165/DIG. 2

[56] References Cited

U.S. PATENT DOCUMENTS

D. 264,501 5/1982 Beaton D23/136

Primary Examiner—Catherine E. Kemper
Attorney, Agent, or Firm—Lee A. Strimbeck

[57] CLAIM

The ornamental design for a passive heat exchanger, as shown and described.

DESCRIPTION

FIG. 1 is a perspective view of a heat exchanger showing my new design; and FIG. 2 is a rear view thereof.

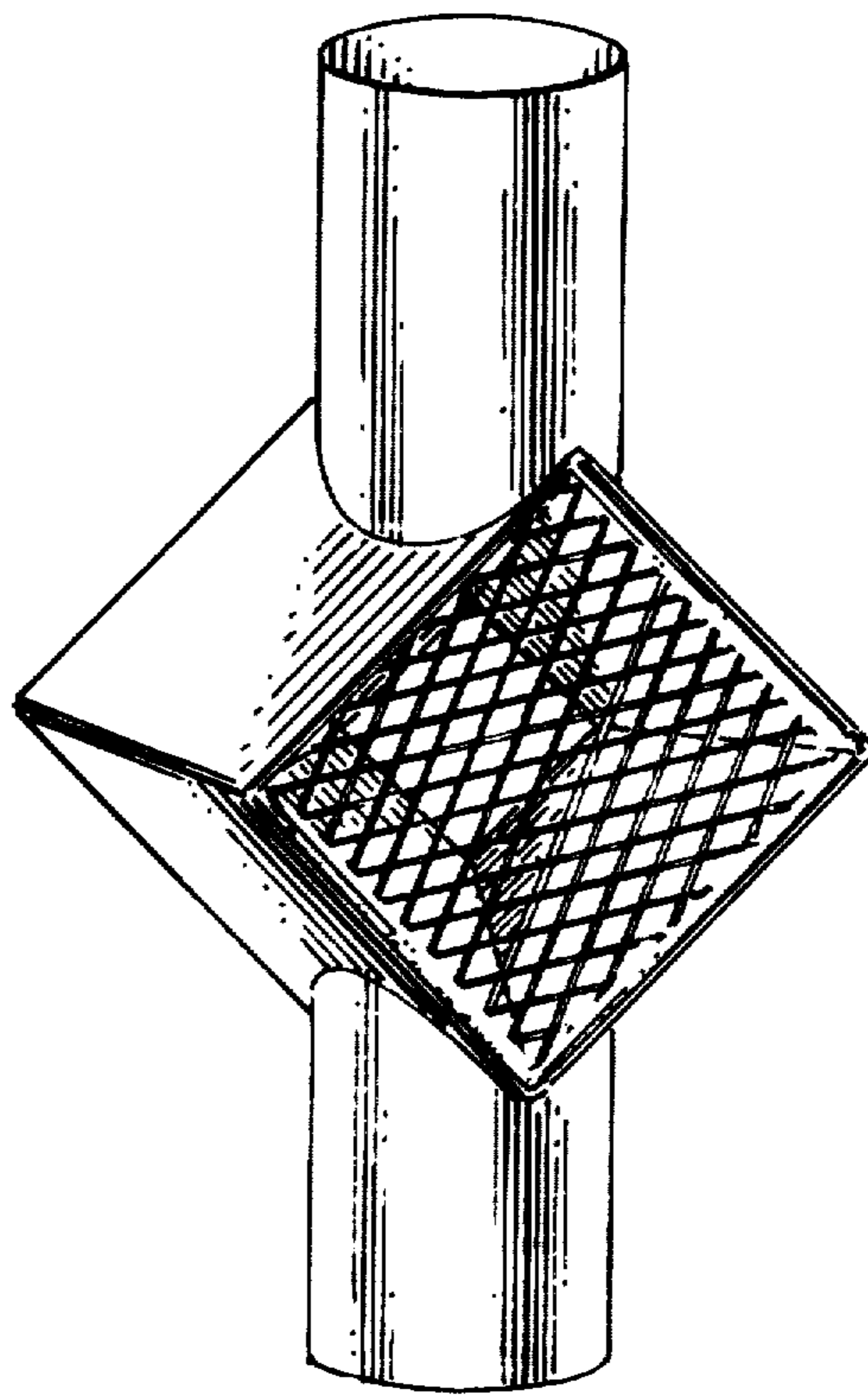


FIG. 1

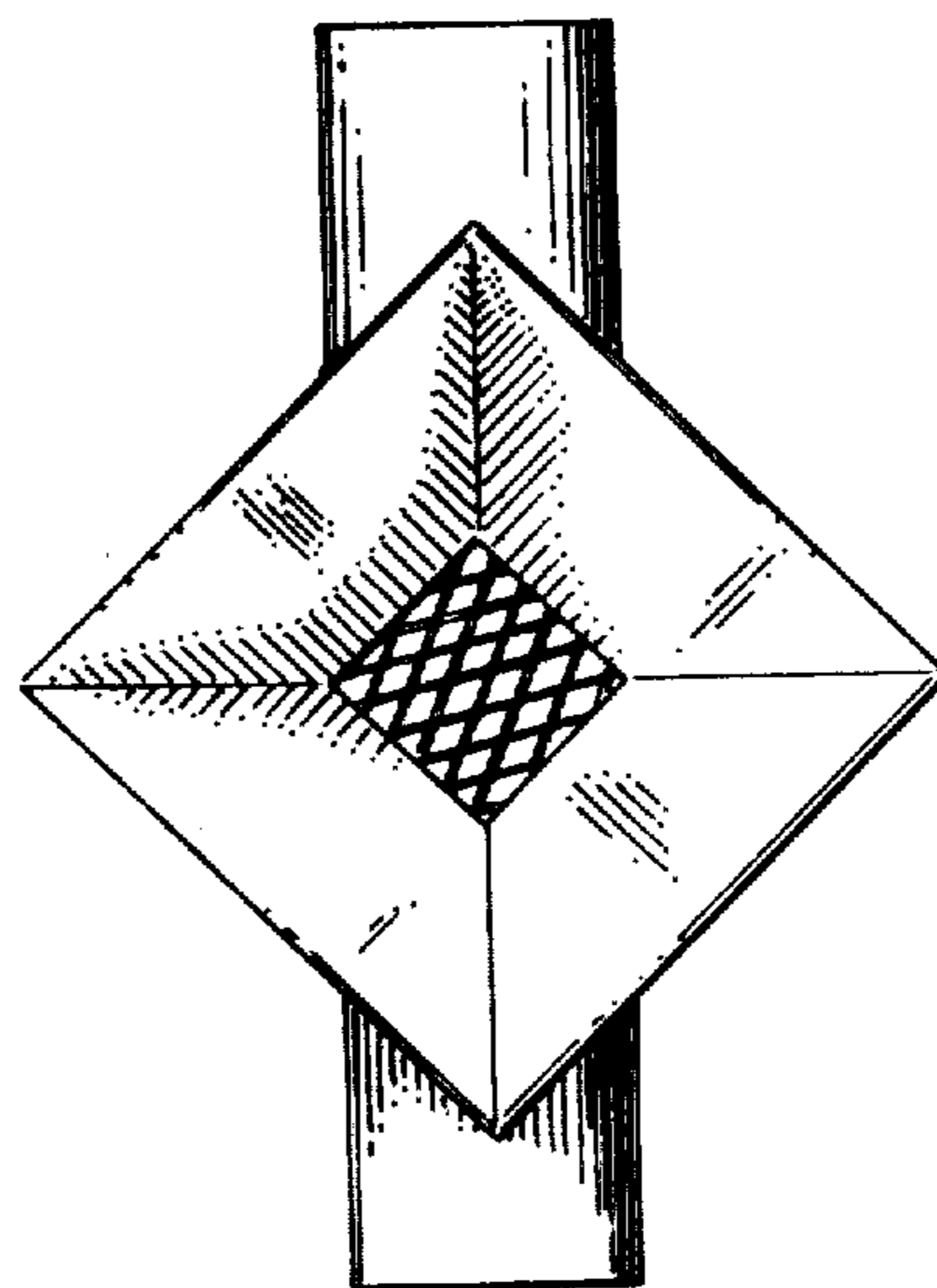
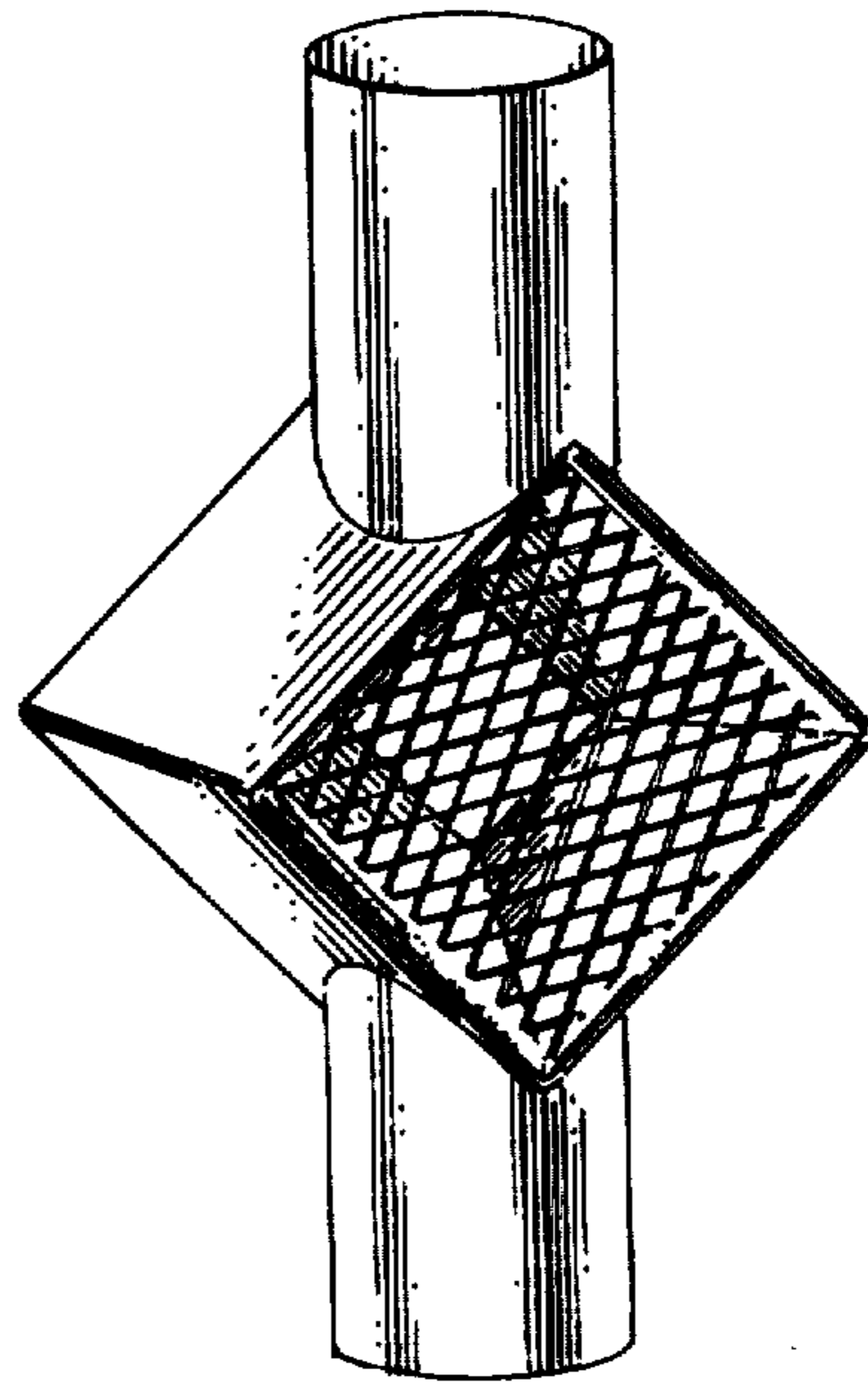


FIG. 2