

[54] SEMI-AUTOMATIC BAILER PLUG

[75] Inventors: William C. Patriarca, Annandale, Va.; Leonard J. McGraw, Pittsburgh, Pa.

[73] Assignee: PAT-N-MAC, Largo, Md.

[\*\*] Term: 14 Years

[21] Appl. No.: 175,394

[22] Filed: Oct. 1, 1980

[51] Int. Cl. .... D23-03

[52] U.S. Cl. .... D23/19

[58] Field of Search ..... 114/183 R, 183 A, 184, 114/185, 197, 198, 182, 212; 137/410, 421; 251/251, 253, 254; D23/19

[56] References Cited

U.S. PATENT DOCUMENTS

2,909,144 10/1959 Baldwin ..... 114/185

2,965,126	2/1960	Hallinan	137/410
3,188,994	6/1965	Dawson	114/197
3,550,548	12/1970	DePersia	114/183 R
4,198,918	4/1980	Patriarca	114/197

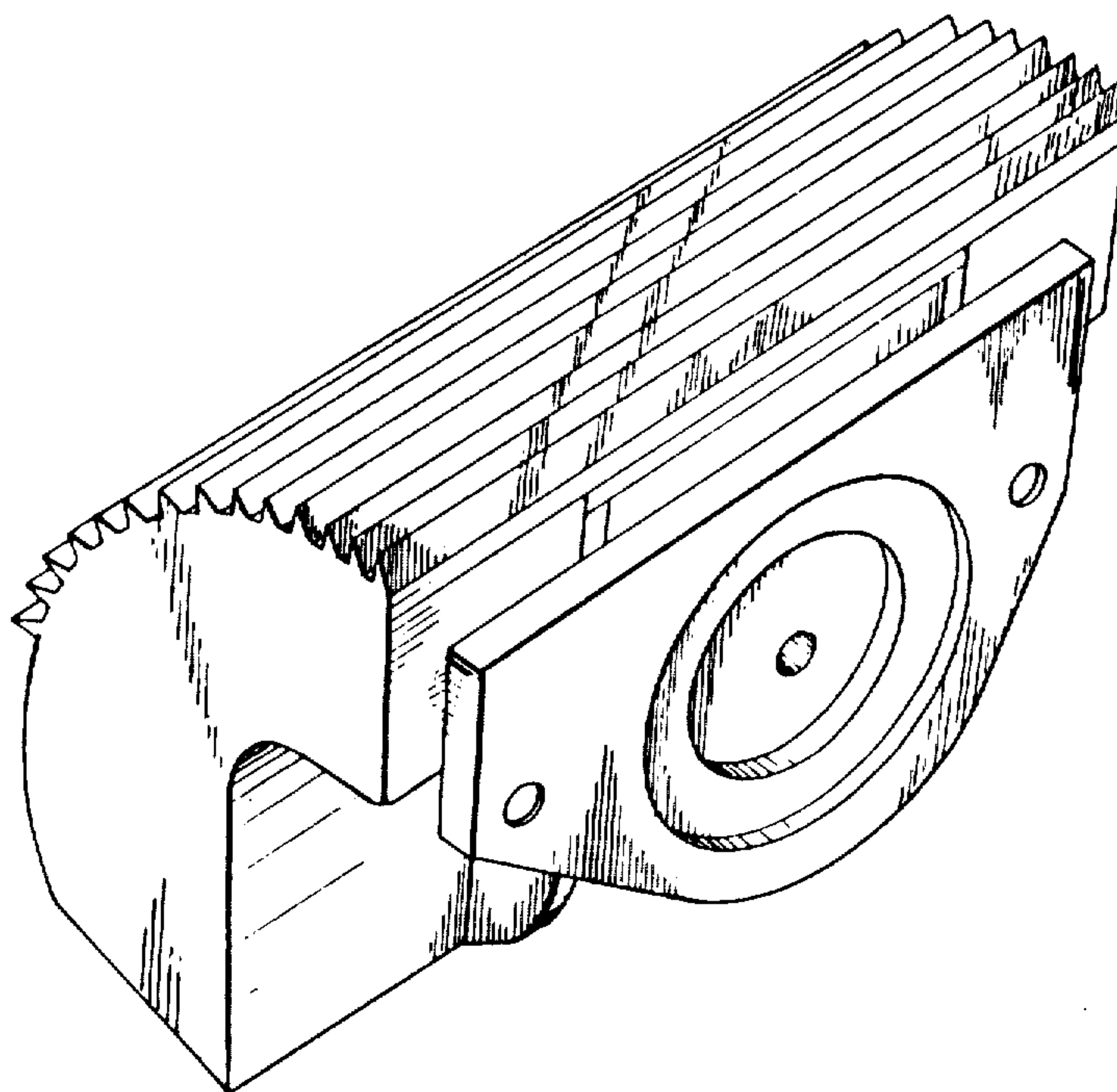
Primary Examiner—Catherine E. Kemper  
Attorney, Agent, or Firm—Birch, Stewart, Kolasch & Birch

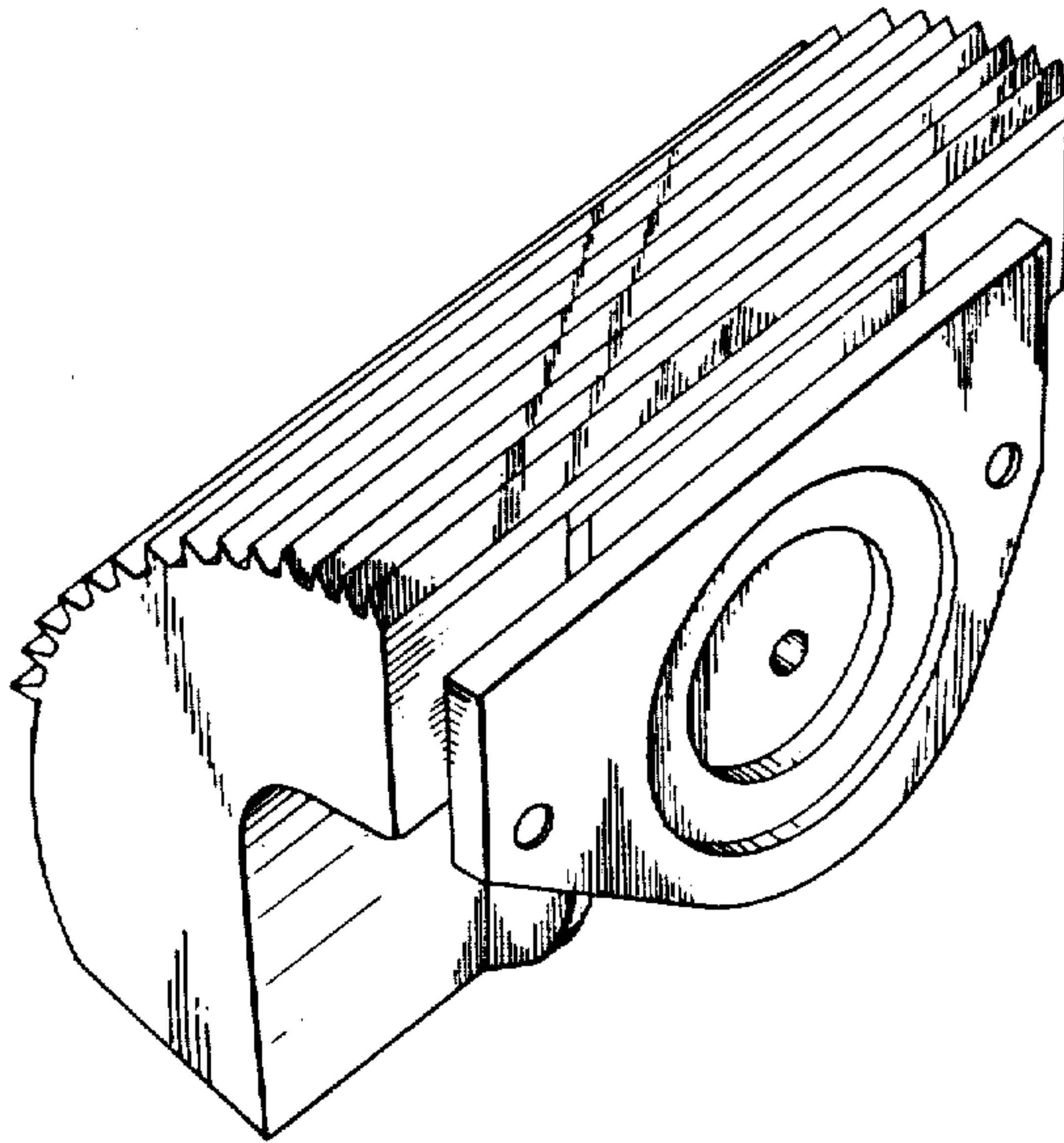
[57] CLAIM

The ornamental design for a semi-automatic bailer plug, as shown and described.

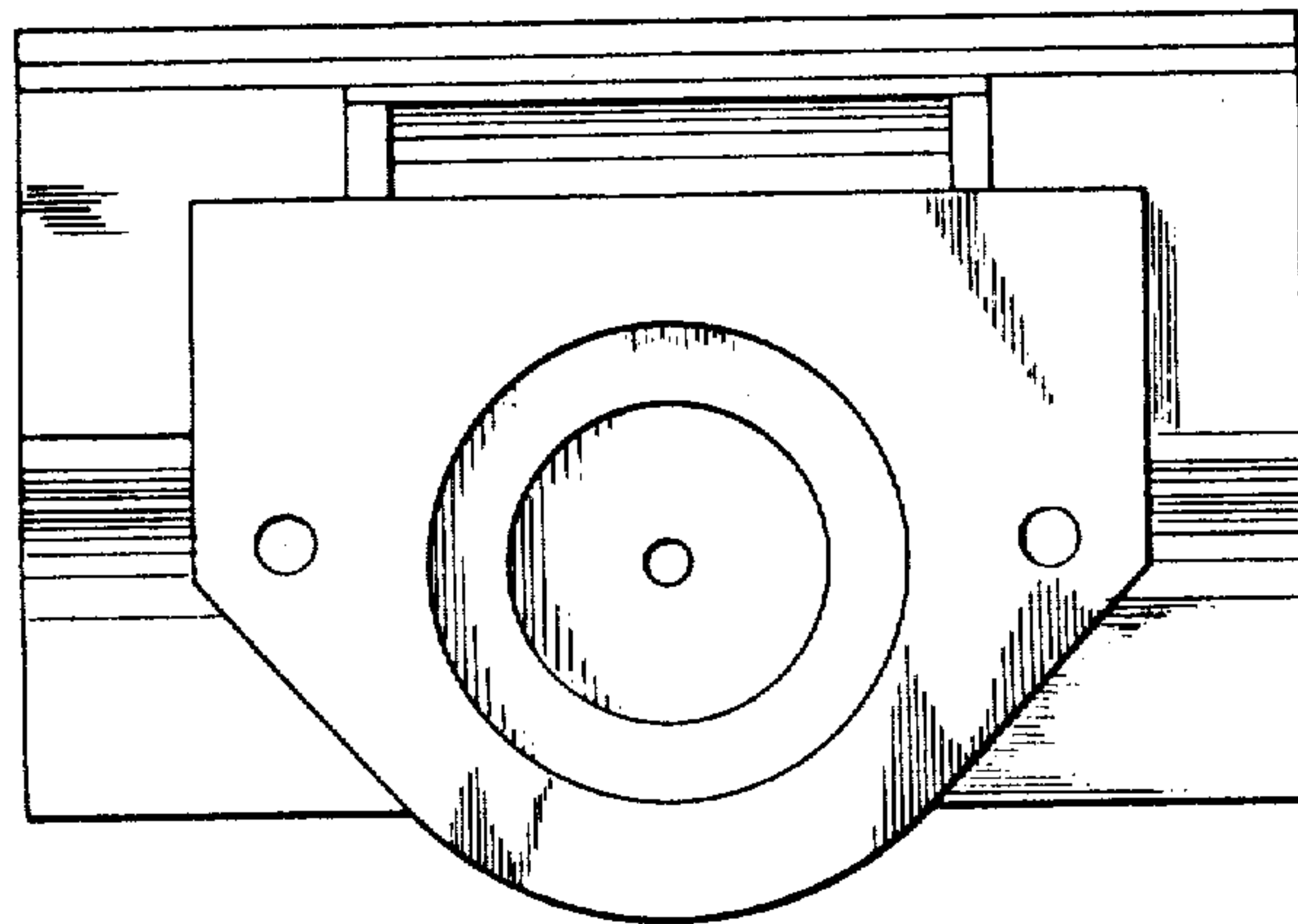
DESCRIPTION

FIG. 1 is a top front perspective view of a semi-automatic bailer plug, showing our new design; FIG. 2 is a front elevational view thereof; FIG. 3 is a right end elevational view thereof; FIG. 4 is a left end elevational view thereof; FIG. 5 is a top plan view thereof; FIG. 6 is a rear elevational view thereof; FIG. 7 is a bottom plan view thereof.

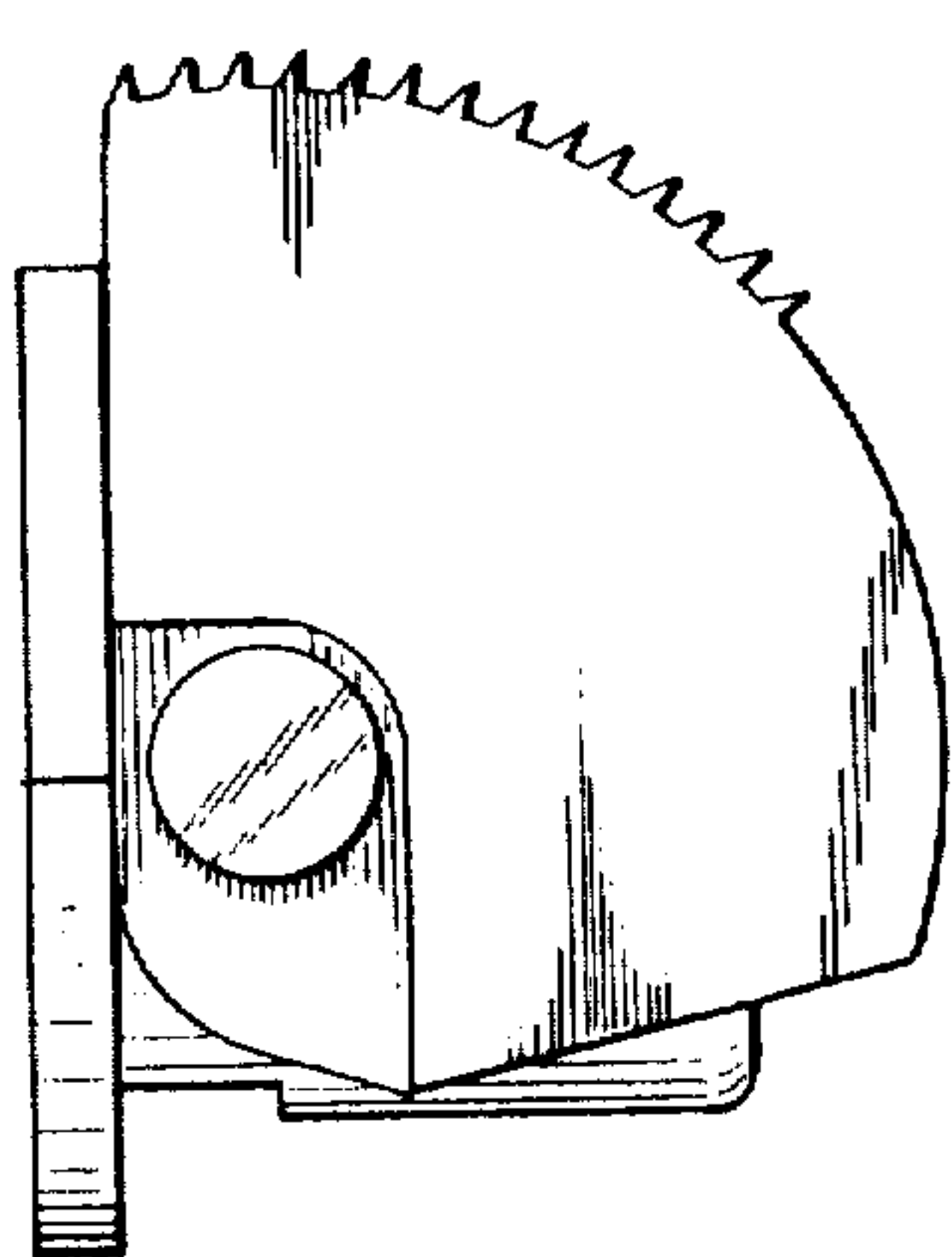




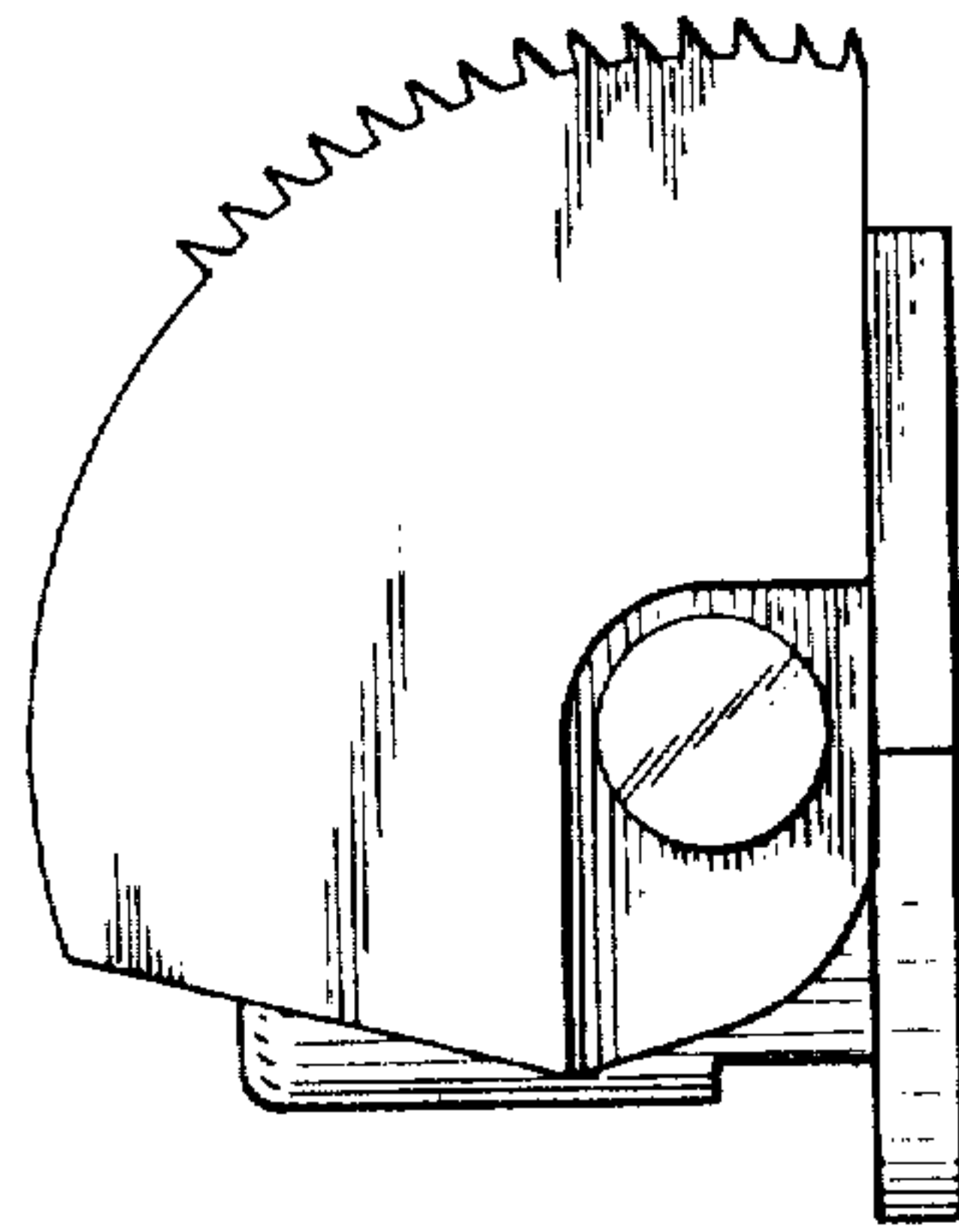
**FIG. 1**



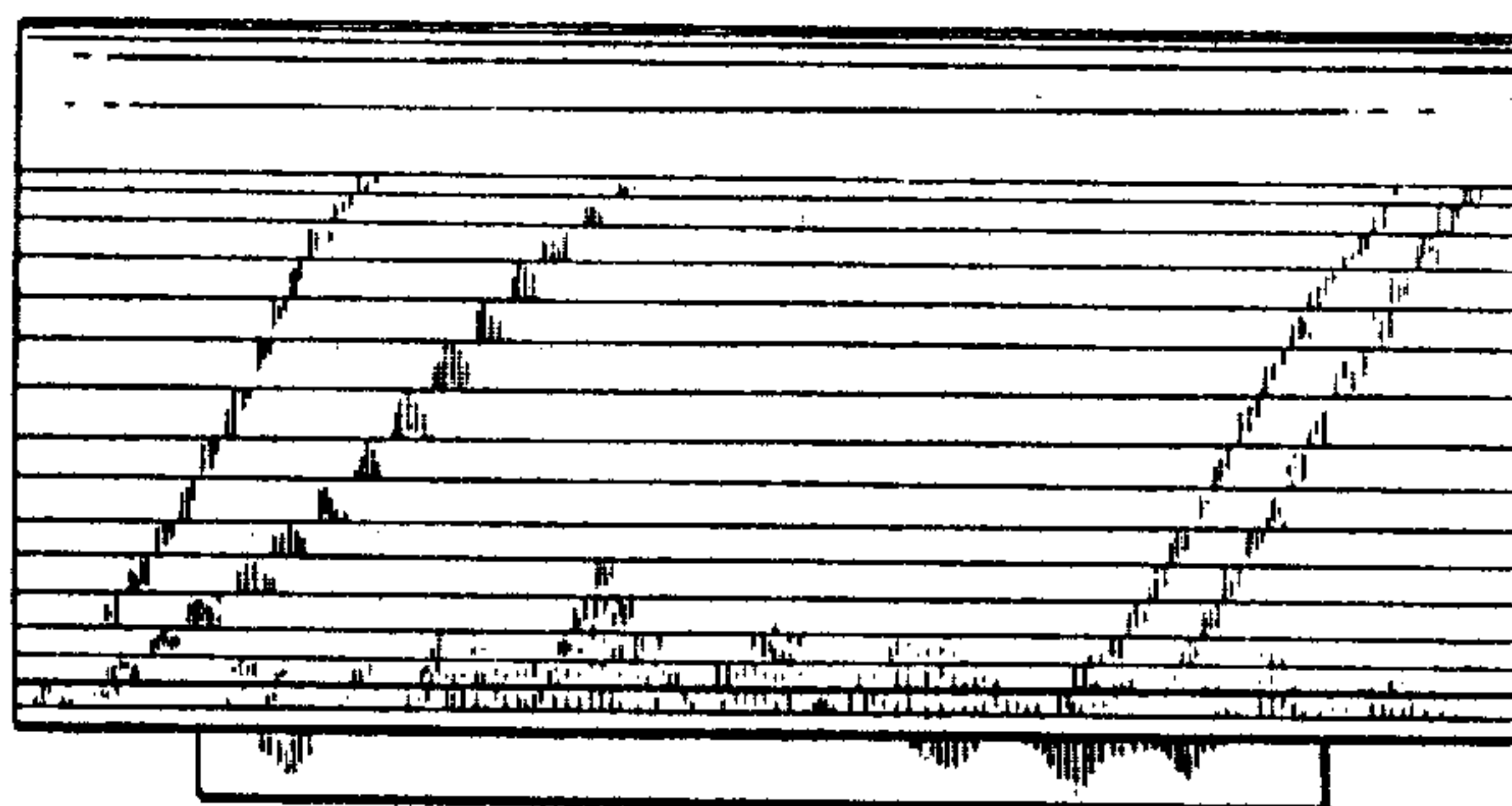
**FIG. 2**



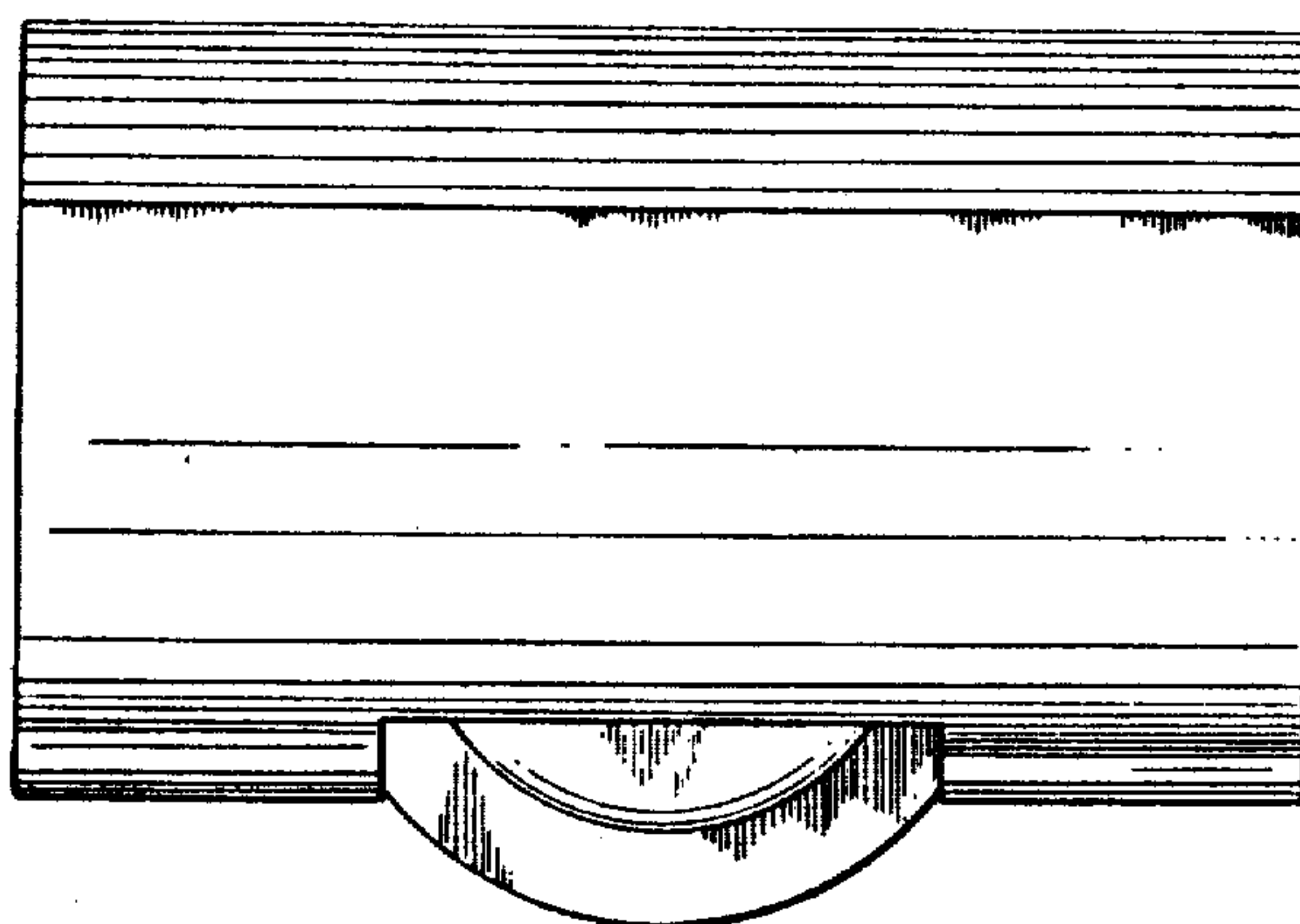
**FIG. 3**



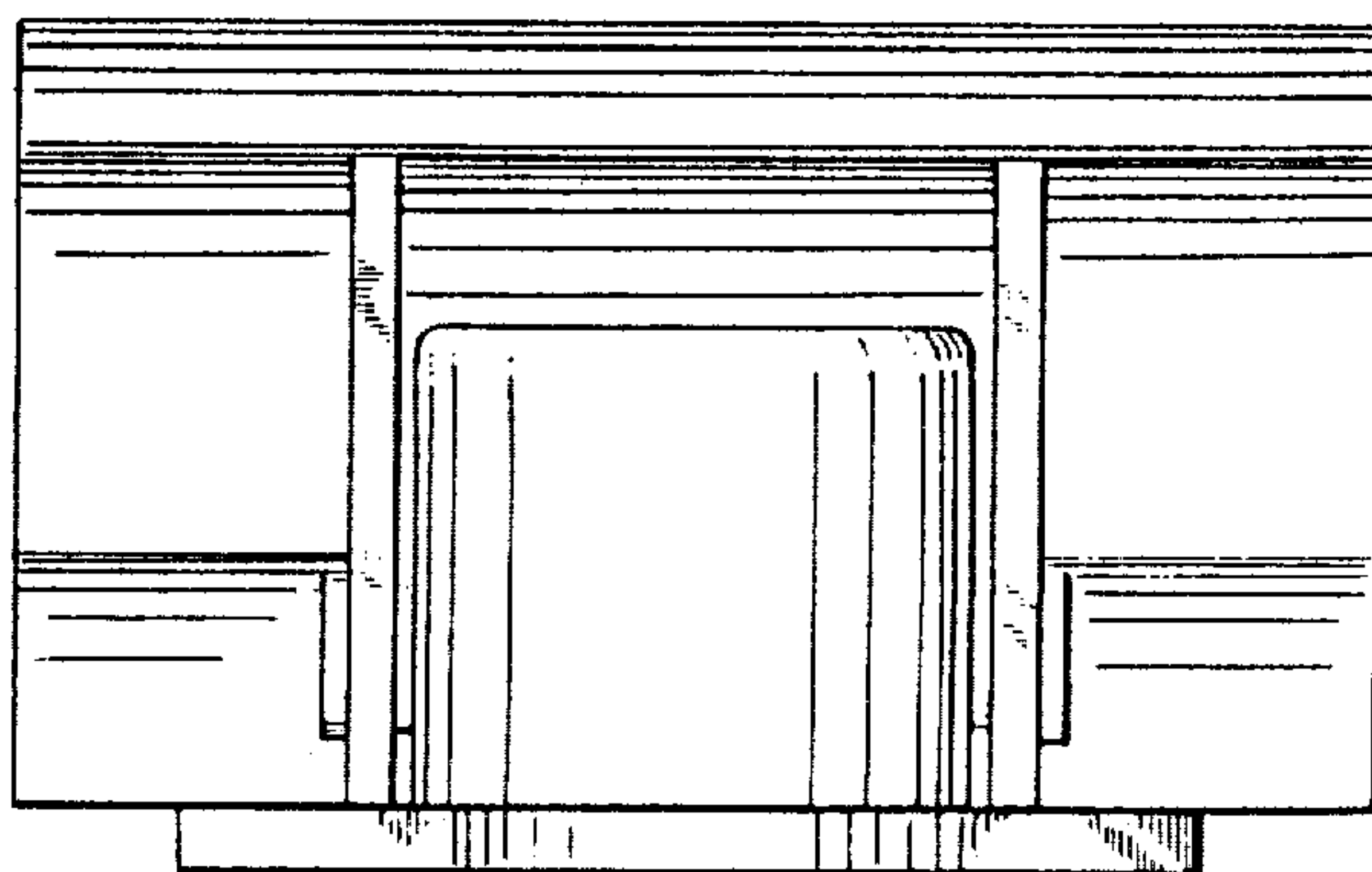
**FIG. 4**



*FIG. 5*



*FIG. 6*



*FIG. 7*