

[54] GLASS HOLDER

[75] Inventor: Andre Bennato, Paris, France
[73] Assignee: Sanistyl Creations-S.AR.L., Nogent sur Marne, France

[**] Term: 14 Years

[21] Appl. No.: 190,828

[22] Filed: Sep. 25, 1980

[30] Foreign Application Priority Data
Mar. 26, 1980 [FR] France 800981

[51] Int. Cl. D23-02
[52] U.S. Cl. D6/93
[58] Field of Search D6/86-103,
D6/125; D7/70; 211/71, 75, 86, 87; 248/309 R,
311.2, 312; D8/350

[56] References Cited
U.S. PATENT DOCUMENTS

D. 157,147	2/1950	Hallenscheid	D6/93
D. 173,684	12/1954	Simpson	D6/93
D. 253,504	11/1979	Grosfillex	D6/93
D. 256,861	9/1980	Ryan et al.	D6/93

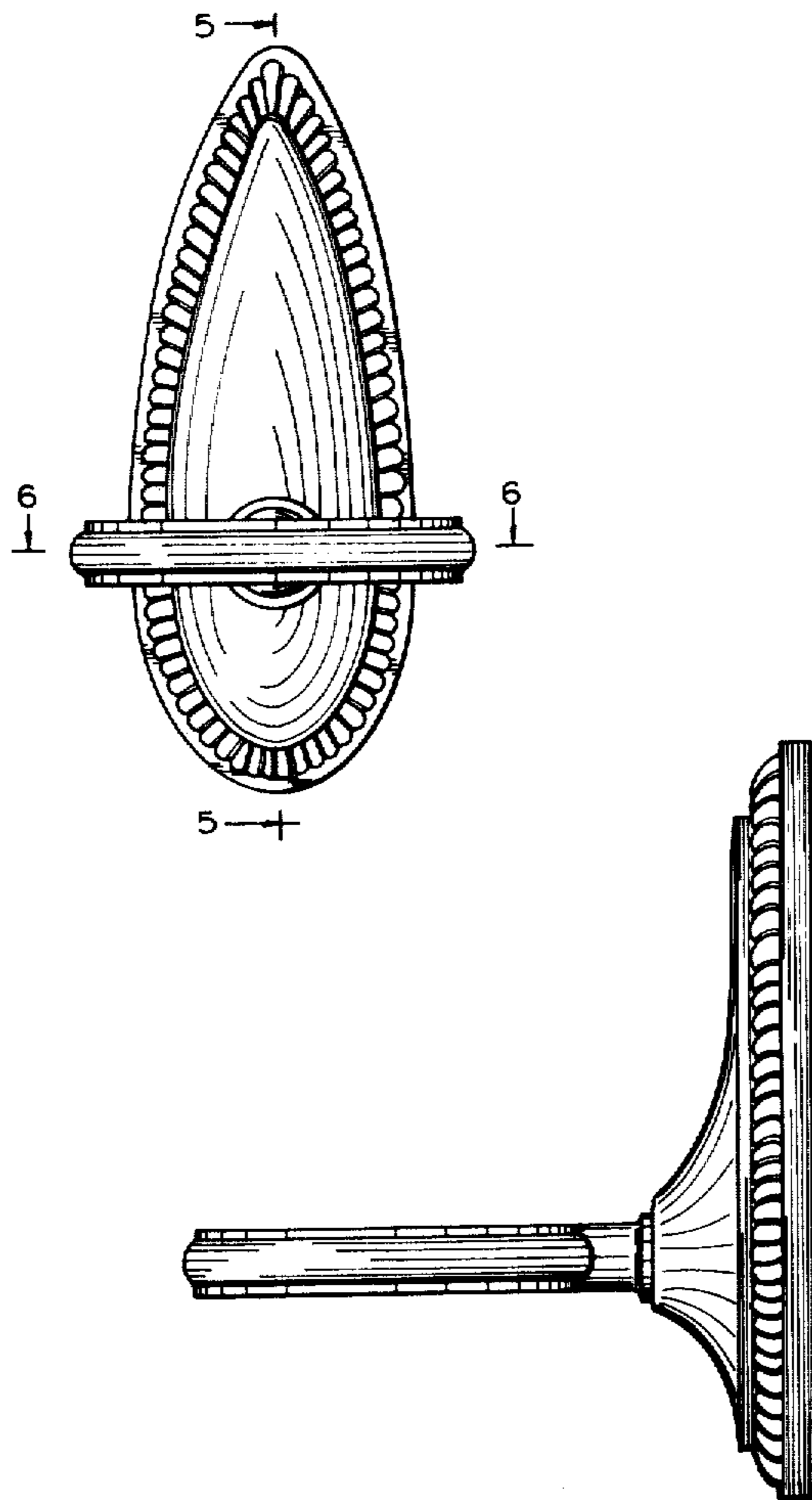
Primary Examiner—B. J. Bullock
Attorney, Agent, or Firm—Michael J. Striker

[57] CLAIM

The ornamental design for a glass holder, substantially as shown and described.

DESCRIPTION

FIG. 1 is a front elevational view of a glass holder showing my new design, the rear being flat and unornamented;
FIG. 2 is a side elevational view taken from the right of FIG. 1, the side opposite being a mirror image thereof;
FIG. 3 is a top plan view thereof;
FIG. 4 is a bottom plan view thereof;
FIG. 5 is a sectional view taken in the direction of the arrows on line 5-5 of FIG. 1; and
FIG. 6 is a sectional view taken on line 6-6 of FIG. 1.



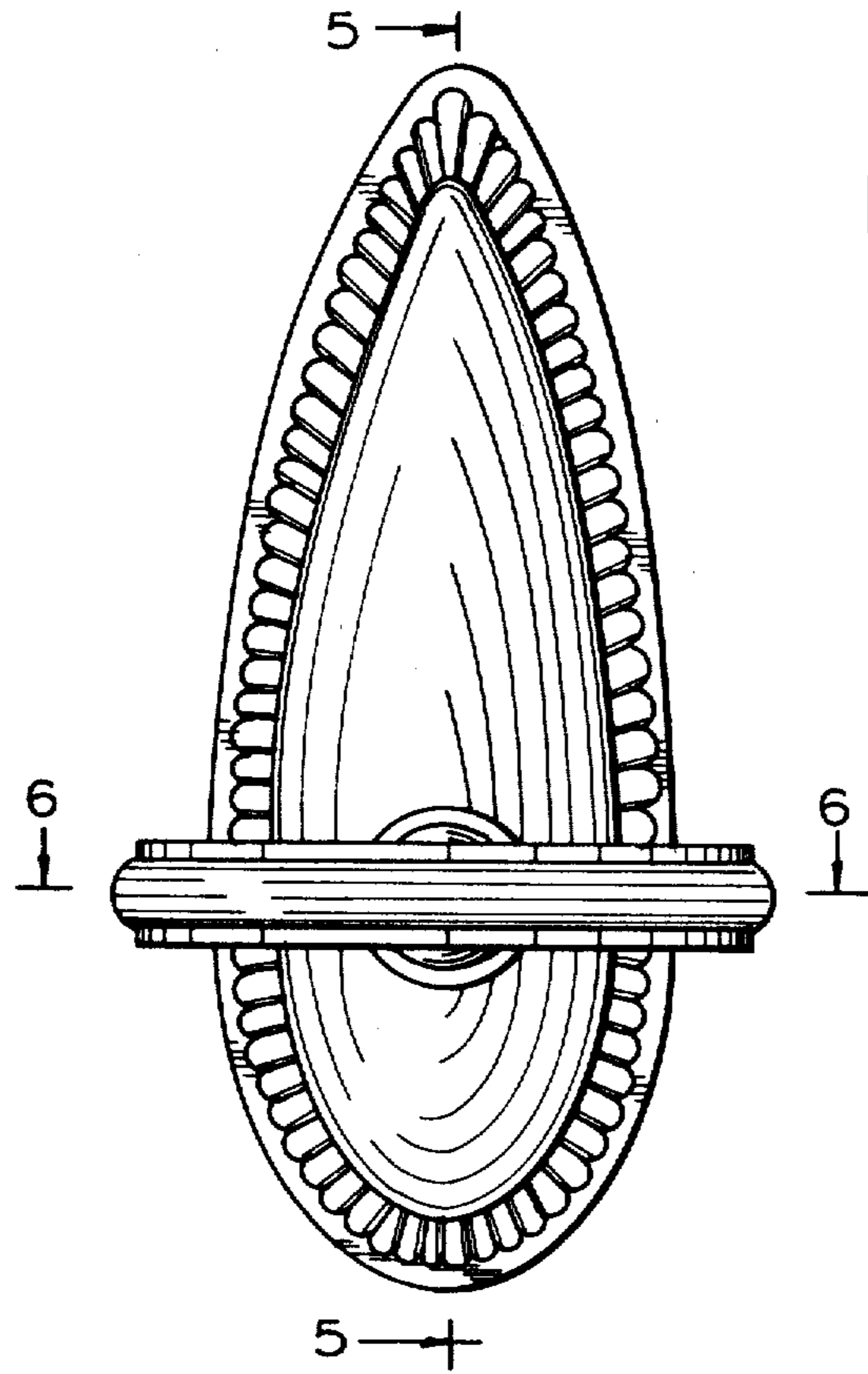


FIG. 1

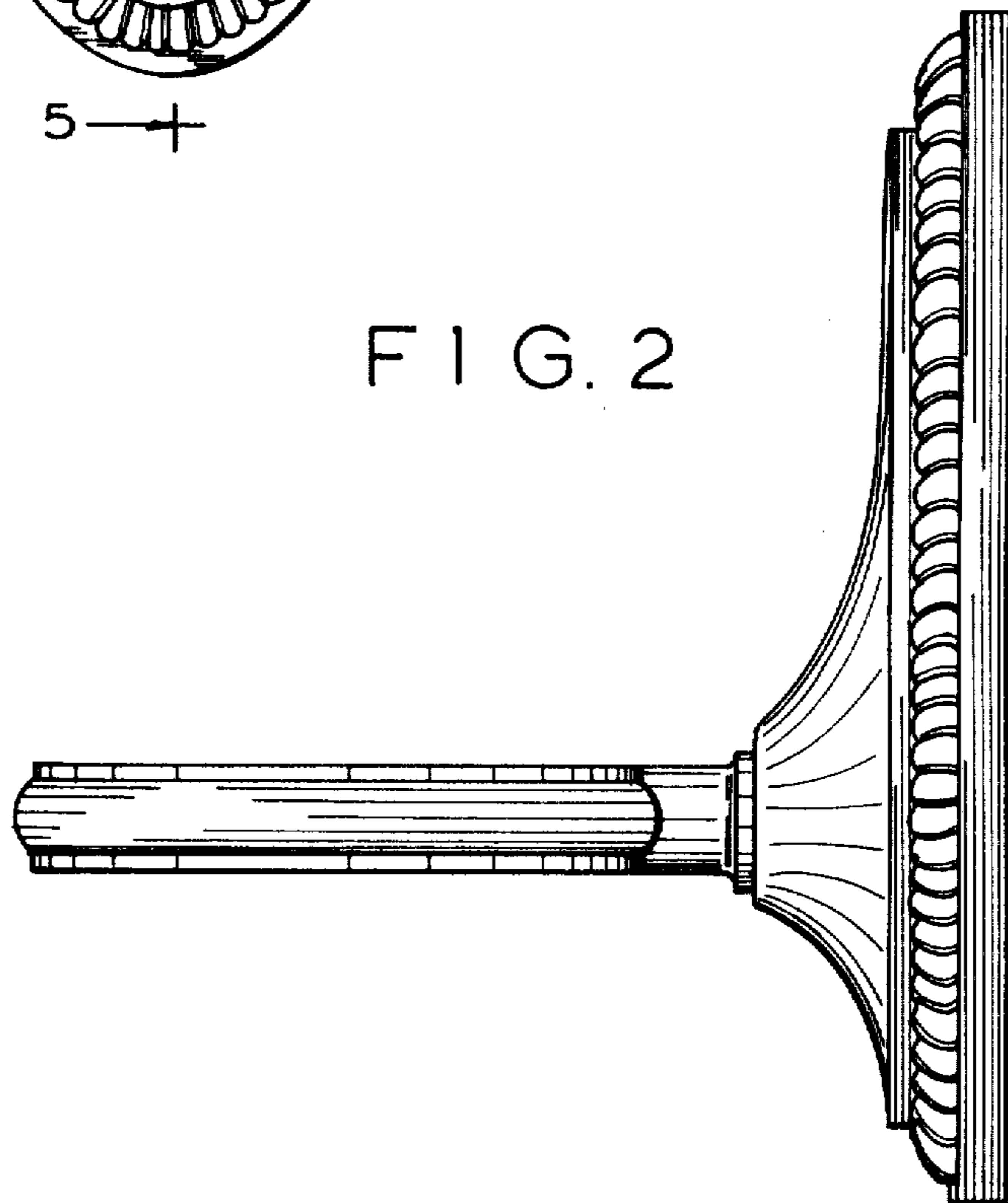


FIG. 2

FIG. 3

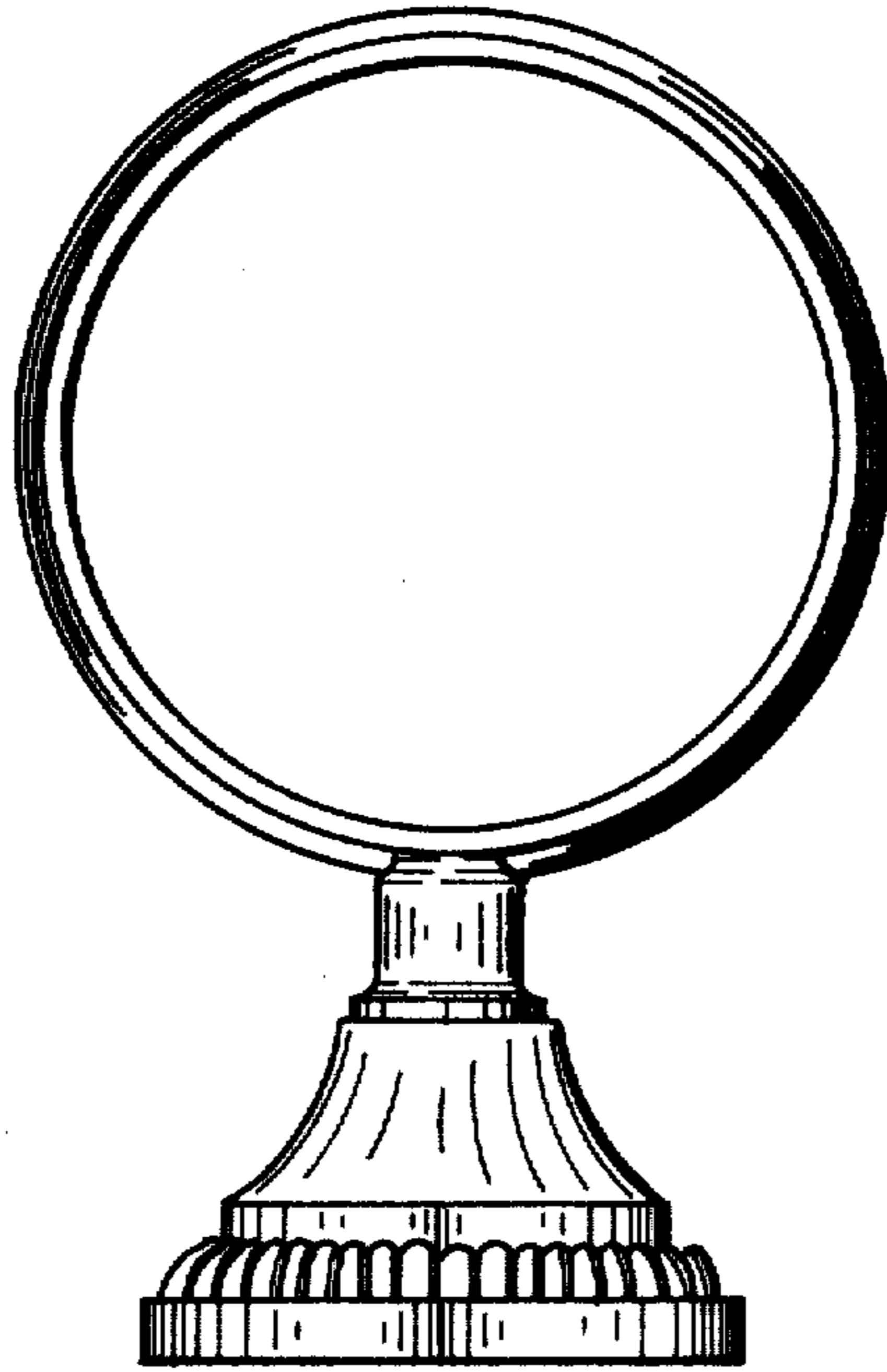
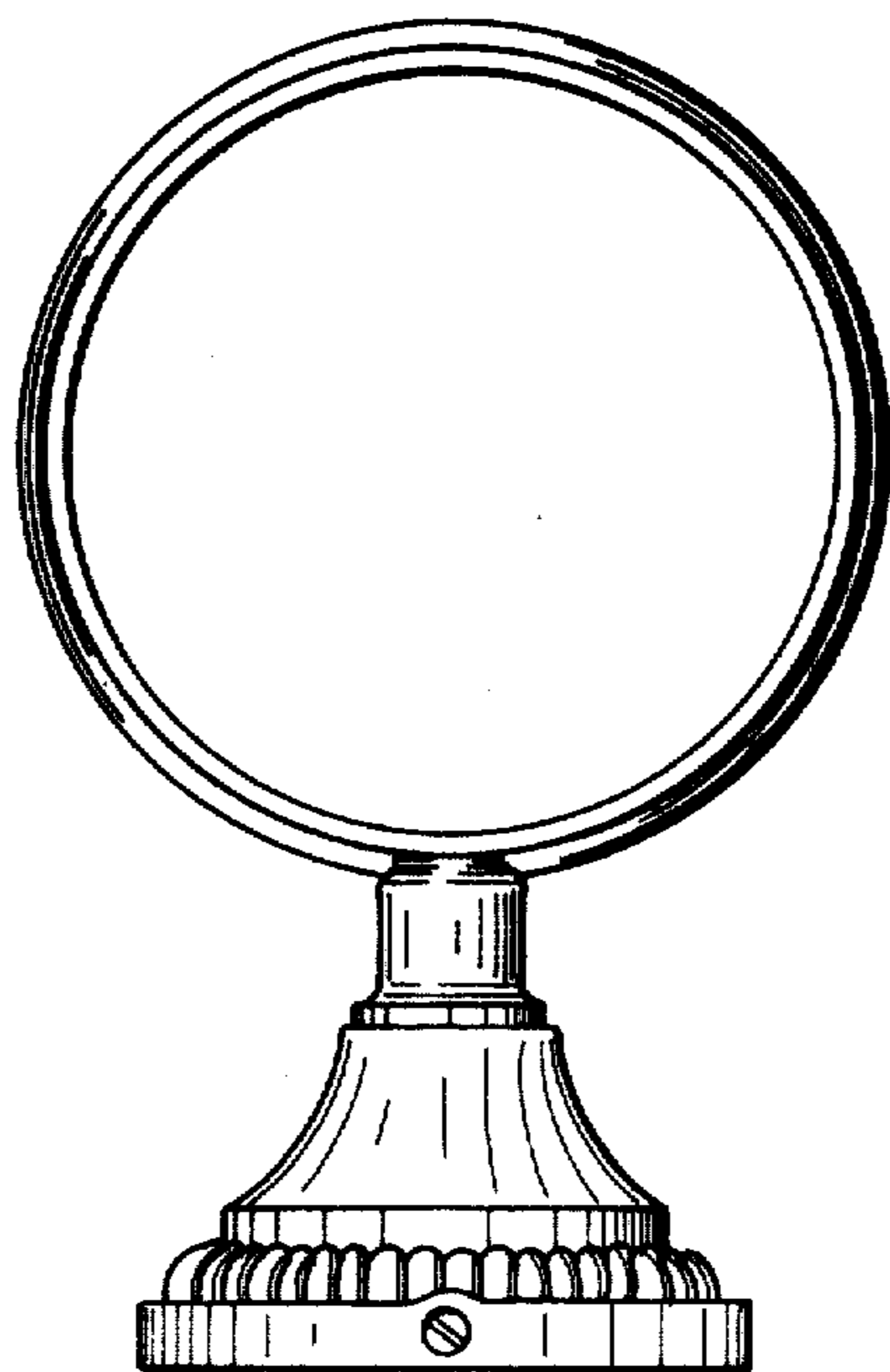


FIG. 4



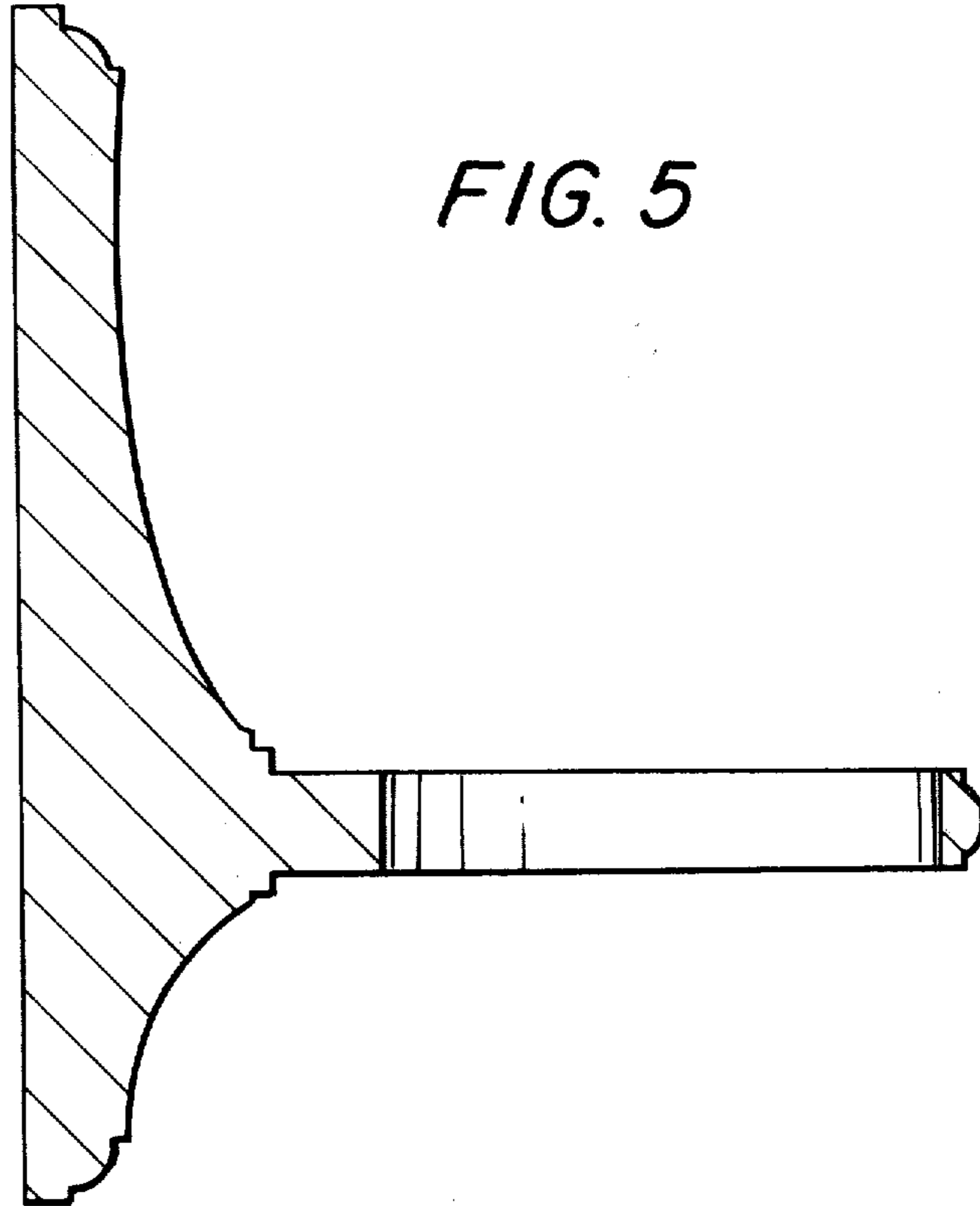


FIG. 6

