

[54] **ELECTRONIC FLASH ADAPTER**
[75] Inventor: **Steven W. Shull**, Culver City, Calif.
[73] Assignee: **Vivitar Corporation**, Santa Monica, Calif.
[**] Term: **14 Years**
[21] Appl. No.: **250,688**
[22] Filed: **Apr. 3, 1981**
[51] Int. Cl. **D16-05**
[52] U.S. Cl. **D16/42**
[58] Field of Search **D16/10, 38, 42;**
354/126, 141, 145; 362/1-18

D. 261,523 10/1981 Conner D16/42
2,688,071 8/1954 Wright 354/126 X
3,943,532 3/1976 Filippis 354/126

OTHER PUBLICATIONS

Sunpak Brochure Entitled "Sunpak Creators of Light for Creative Photography".

Primary Examiner—Nelson C. Holtje
Attorney, Agent, or Firm—Lyon & Lyon

[57] **CLAIM**

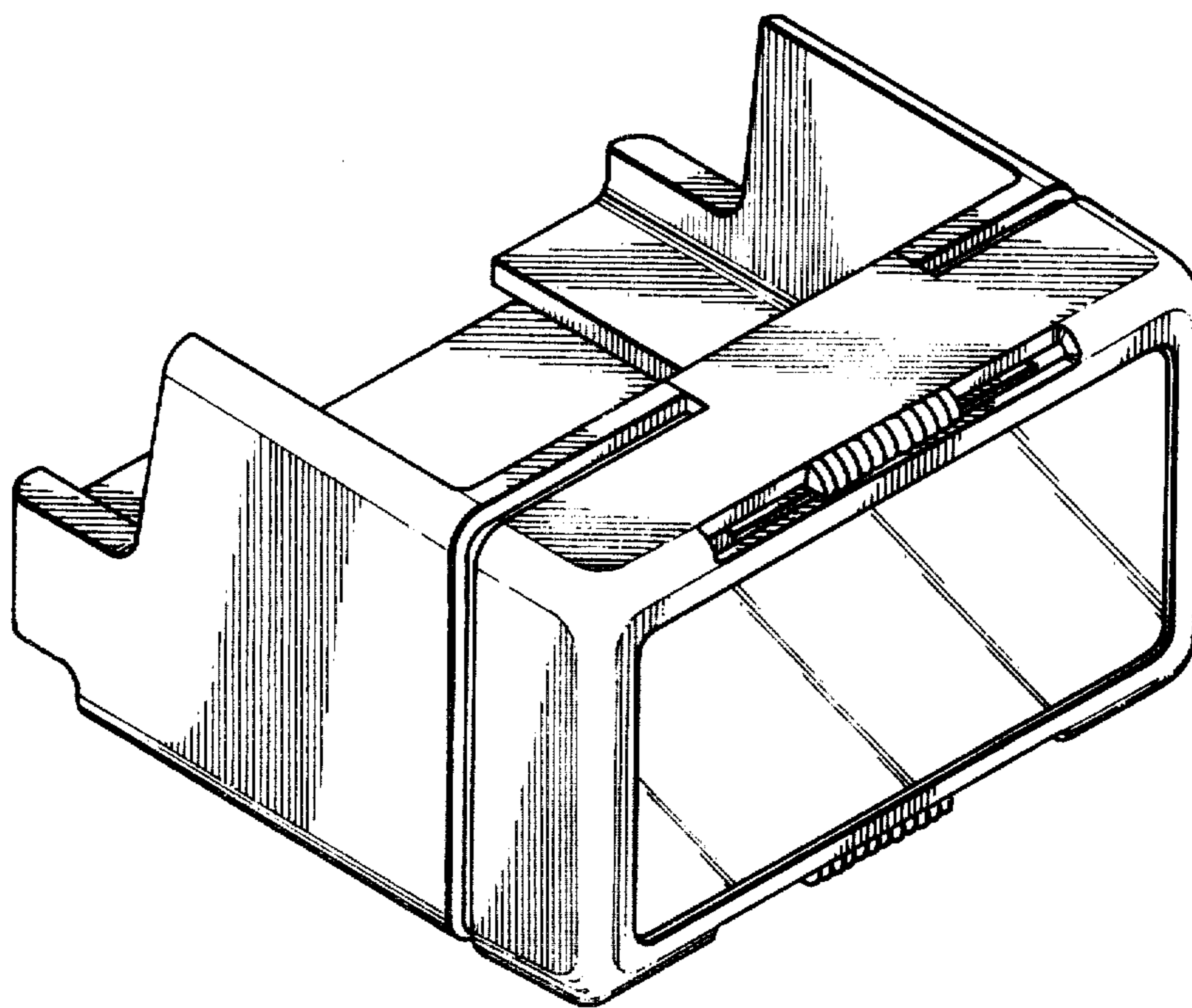
The ornamental design for an electronic flash adapter, substantially as shown and described.

DESCRIPTION

FIG. 1 is a top and left front perspective view of an electronic flash adapter showing my new design;
FIG. 2 is a top plan view thereof;
FIG. 3 is a bottom plan view thereof;
FIG. 4 is a rear elevational view thereof;
FIG. 5 is a right side elevational view thereof.

[56] **References Cited**
U.S. PATENT DOCUMENTS

D. 234,976 4/1975 Tiffen D16/42
D. 244,527 5/1977 Asaki D16/42
D. 247,439 3/1978 Asaki D16/42
D. 255,457 6/1980 Conner D16/42



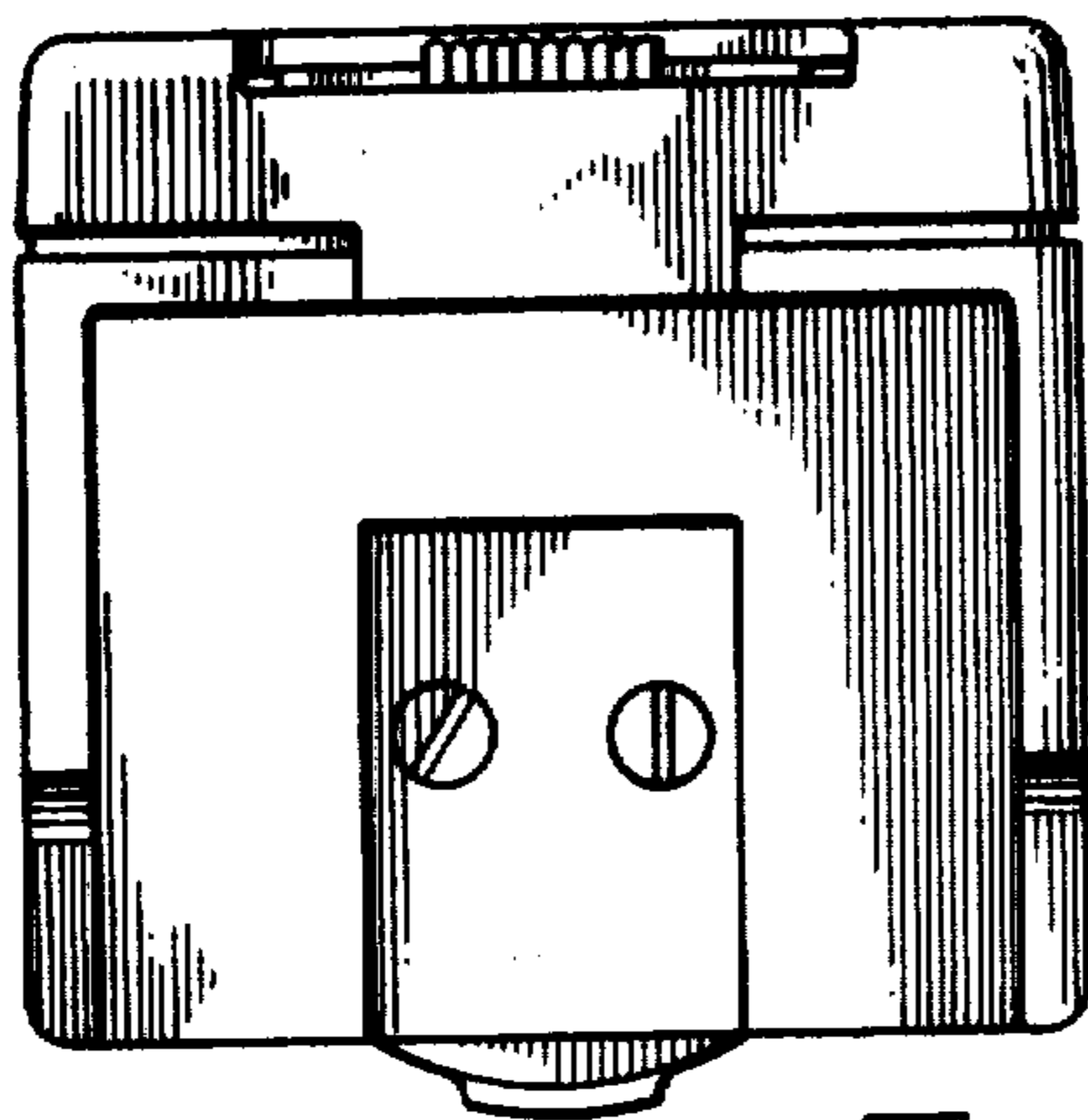
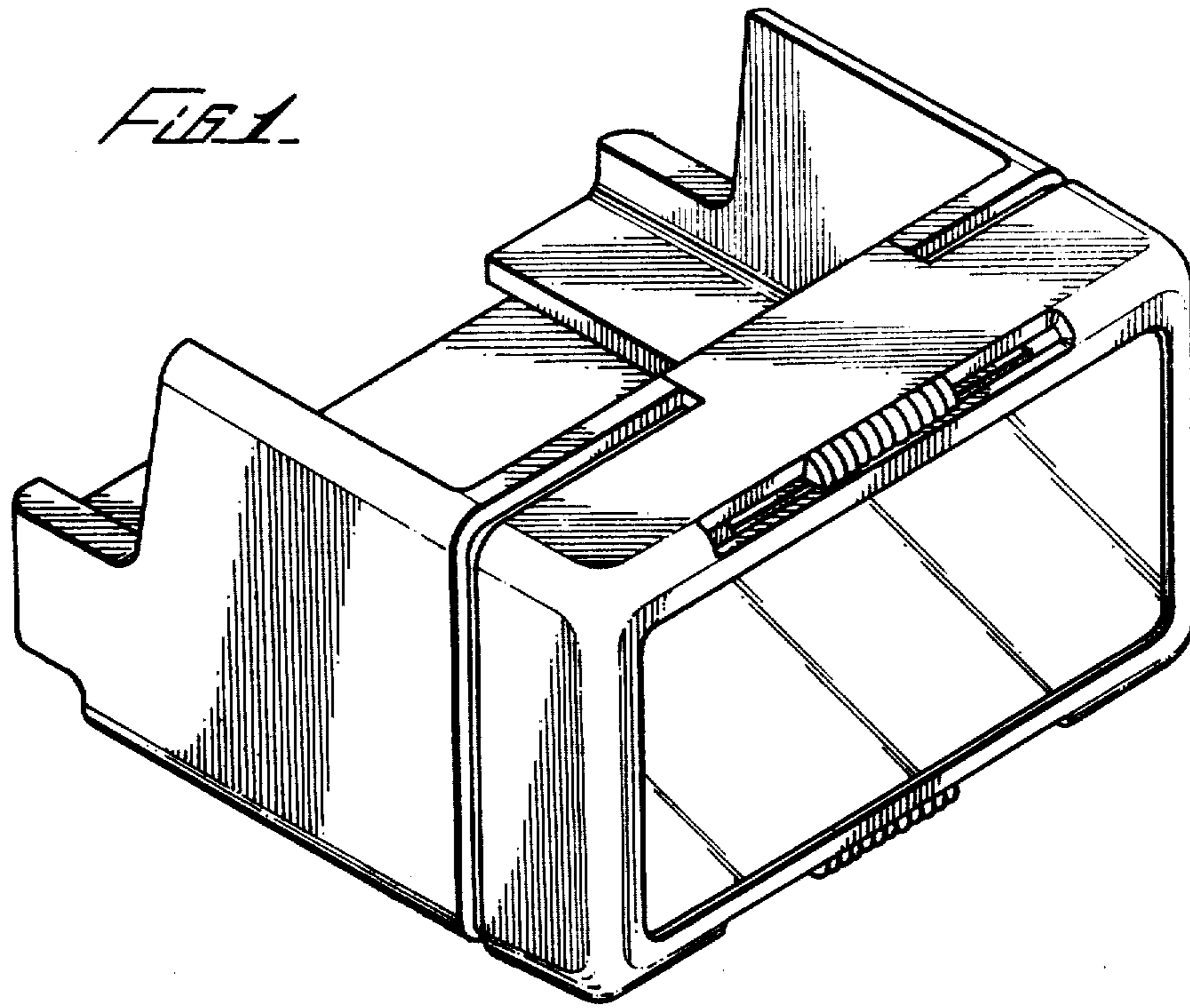


FIG. 2

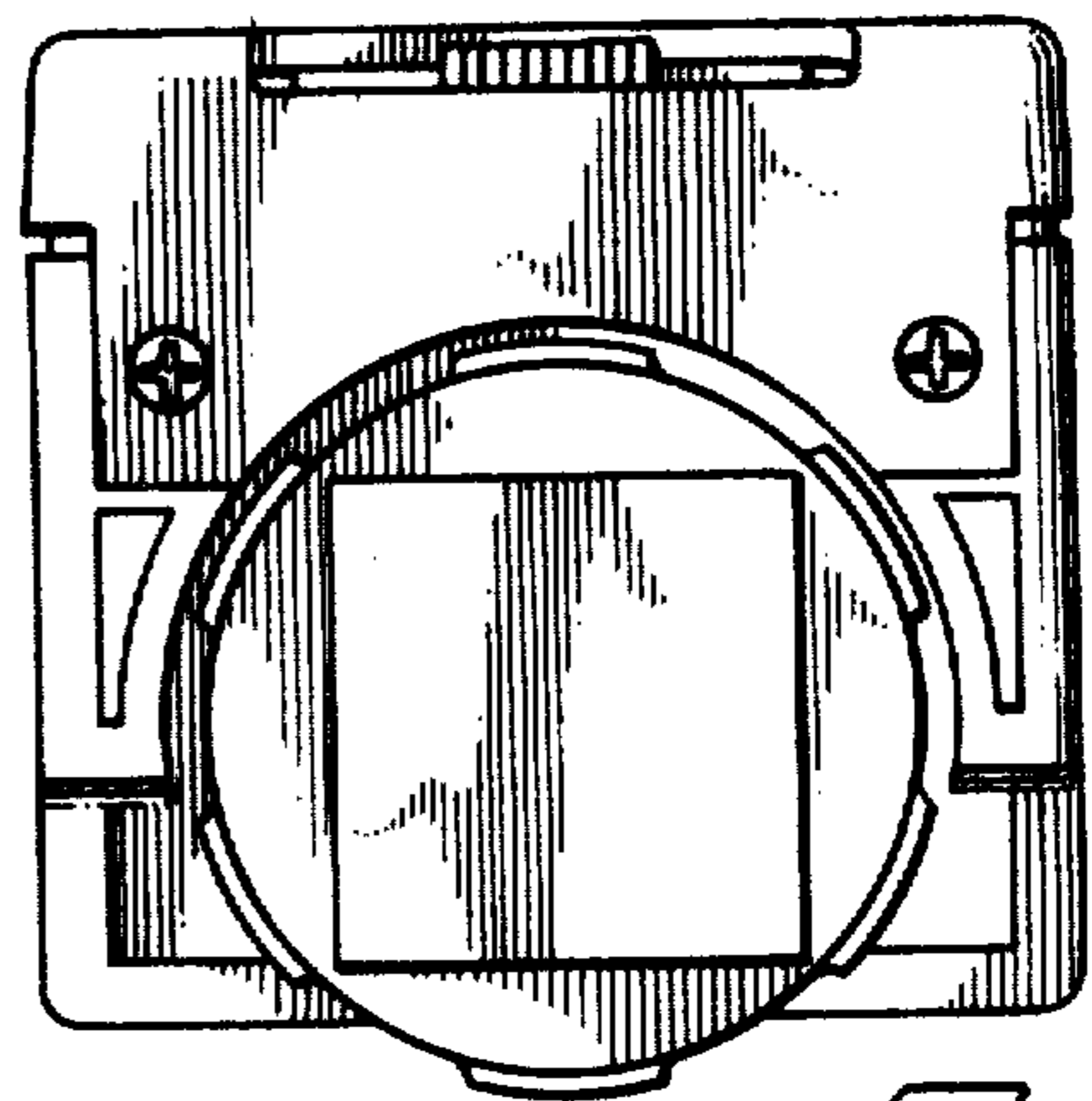


FIG. 3

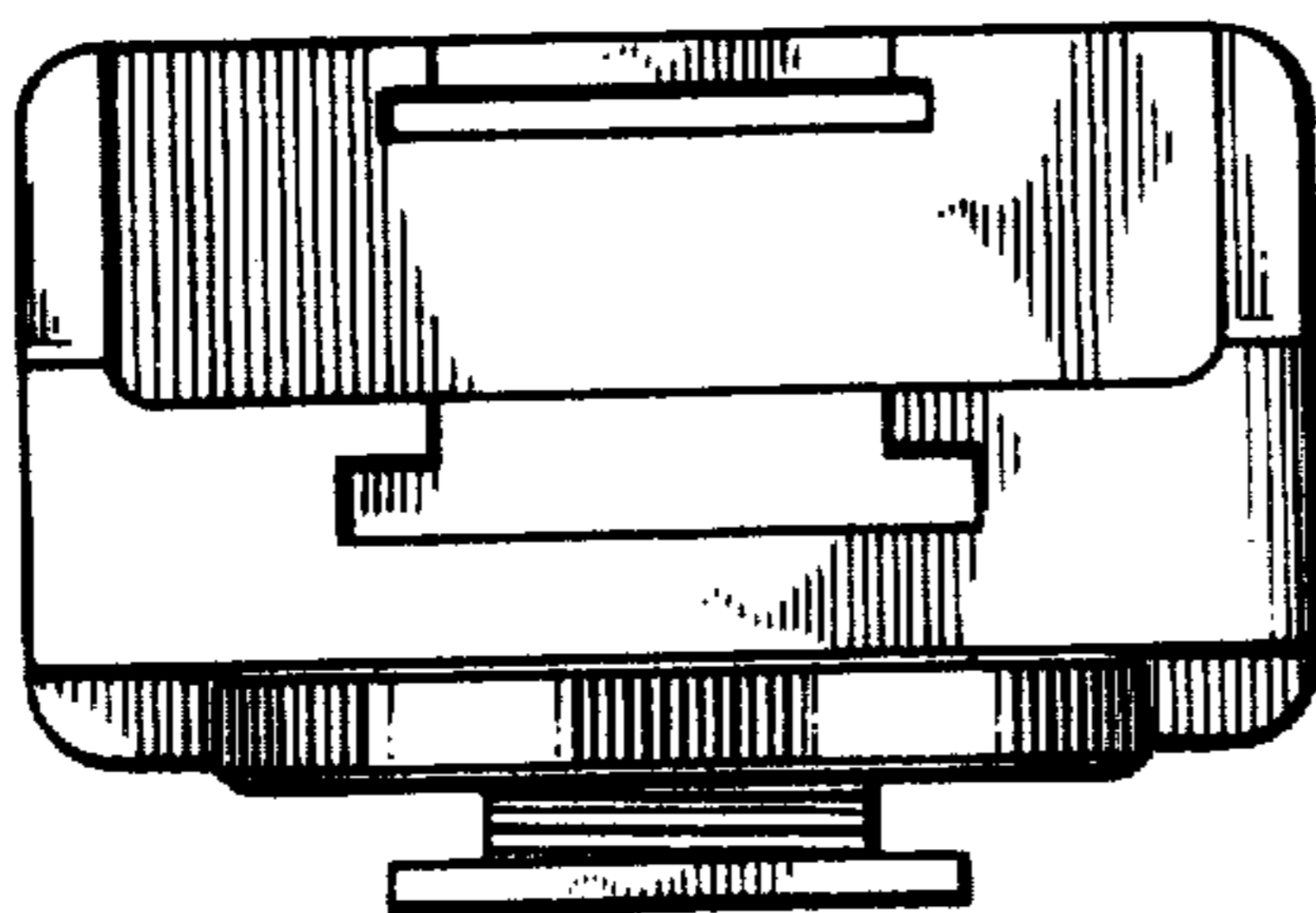


FIG. 4

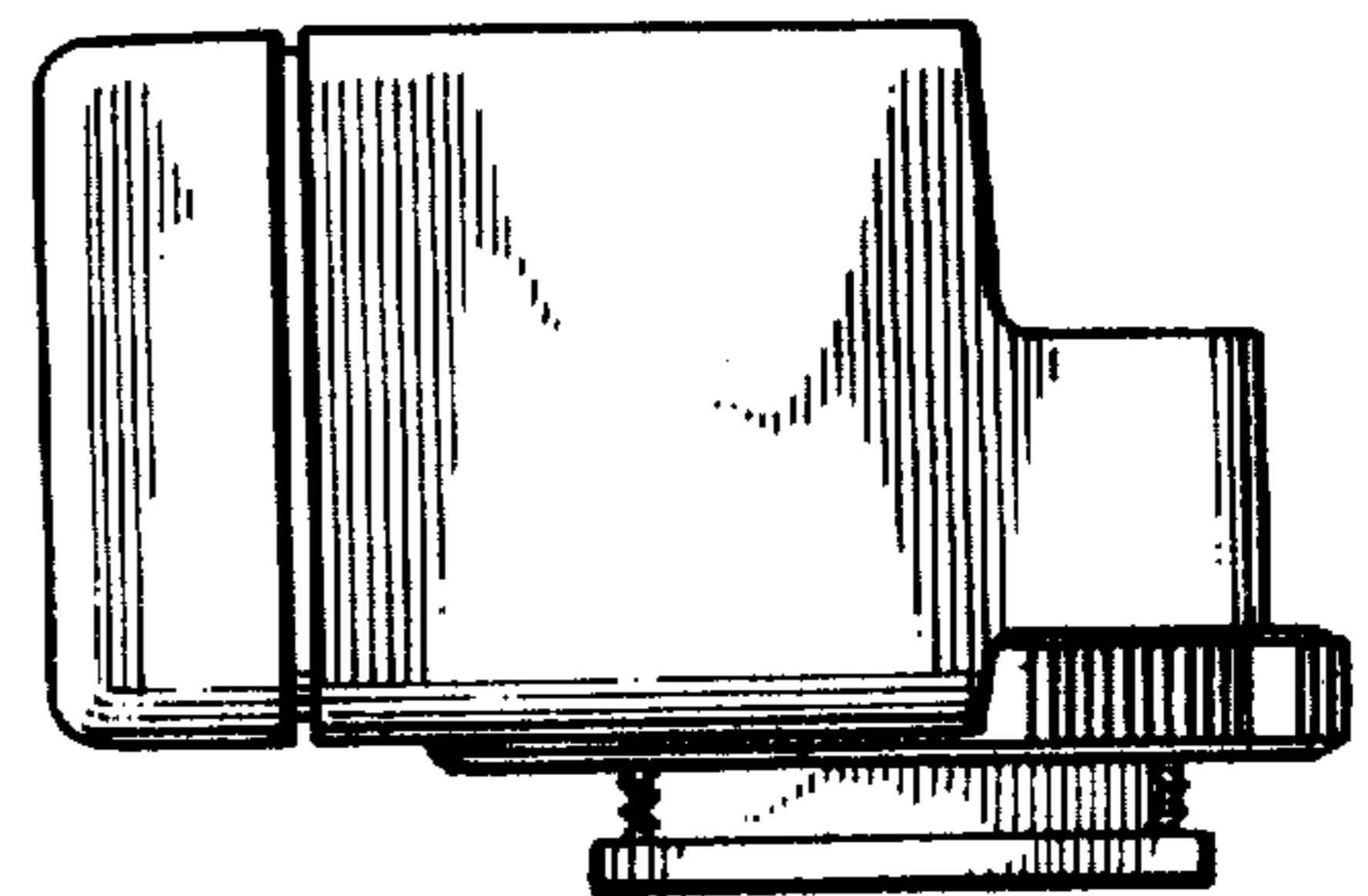


FIG. 5