

[54] OPTICAL COUPLER FOR A MICROSCOPE OR SIMILAR ARTICLE

[75] Inventor: Richard E. Feinbloom, New York, N.Y.

[73] Assignee: Designs for Vision, Inc., New York, N.Y.

[**] Term: 14 Years

[21] Appl. No.: 419,124

[22] Filed: Sep. 17, 1982

[51] Int. Cl. 16-05

[52] U.S. Cl. D16/38; D16/10; D16/130

[58] Field of Search D16/38, 19, 130, 48; 350/19, 18, 286, 287; 354/60 R, 60 L; 351/14

[56]

References Cited

U.S. PATENT DOCUMENTS

D. 197,257	12/1963	Fladlien et al.	D16/38
D. 248,160	6/1978	Feinbloom	D16/38
3,055,283	9/1962	Suzuki	D16/10
3,944,342	3/1976	Martinez	D16/38 X
3,981,021	9/1976	Beecher	350/19 X
3,999,195	12/1976	Little	350/19 X

Primary Examiner—Bernard Ansher
Attorney, Agent, or Firm—Arthur L. Plevy

[57]

CLAIM

The ornamental design for an optical coupler for a microscope or similar article, as shown and described.

DESCRIPTION

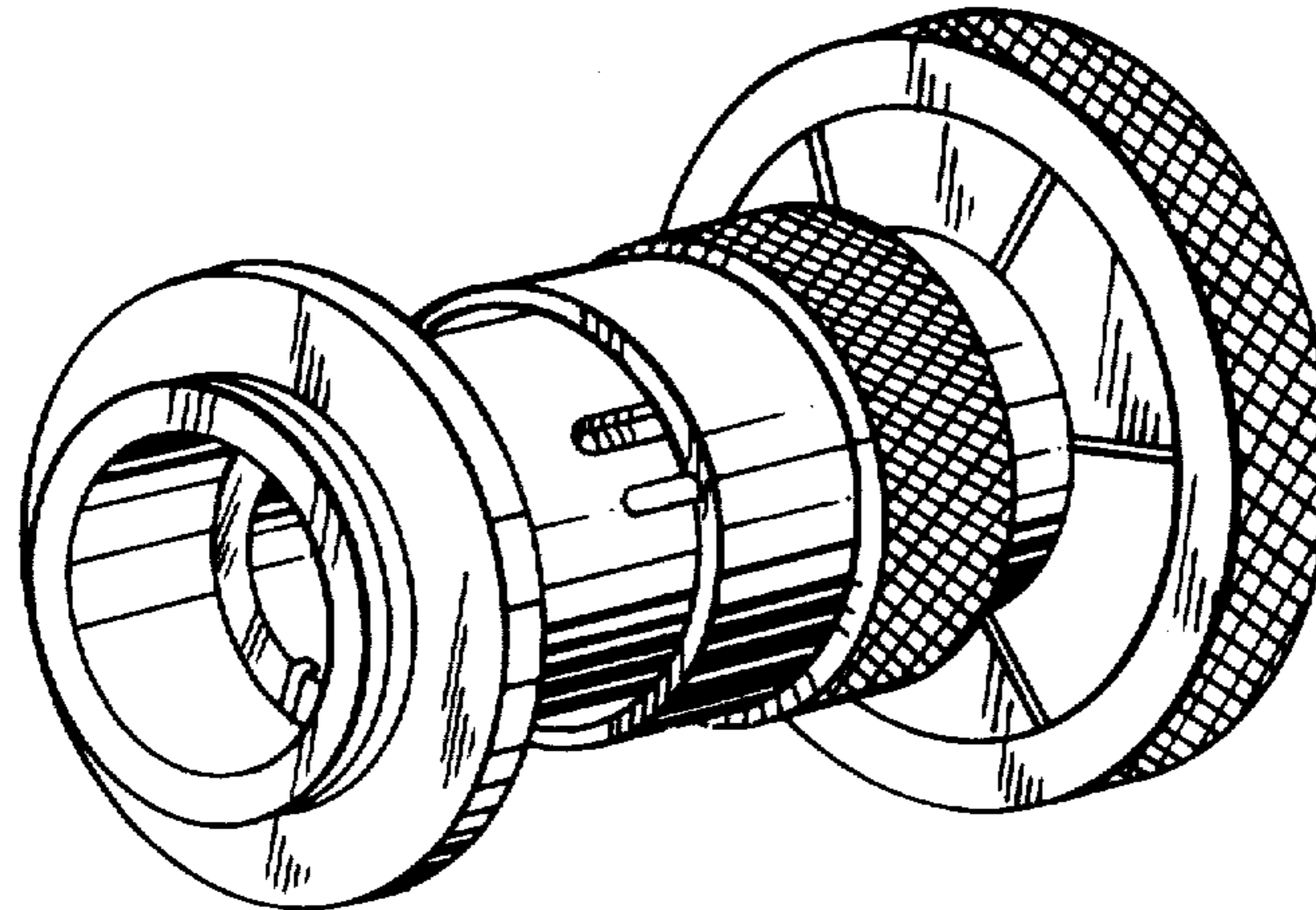
FIG. 1 is a perspective view of the optical coupler for a microscope or similar article;

FIG. 2 is rear plan view;

FIG. 3 is a front plan view;

FIG. 4 is a side plan view.

It is noted that the right and left side views are identical and correspond to the top and bottom views as can be determined by the perspective view of FIG. 1.



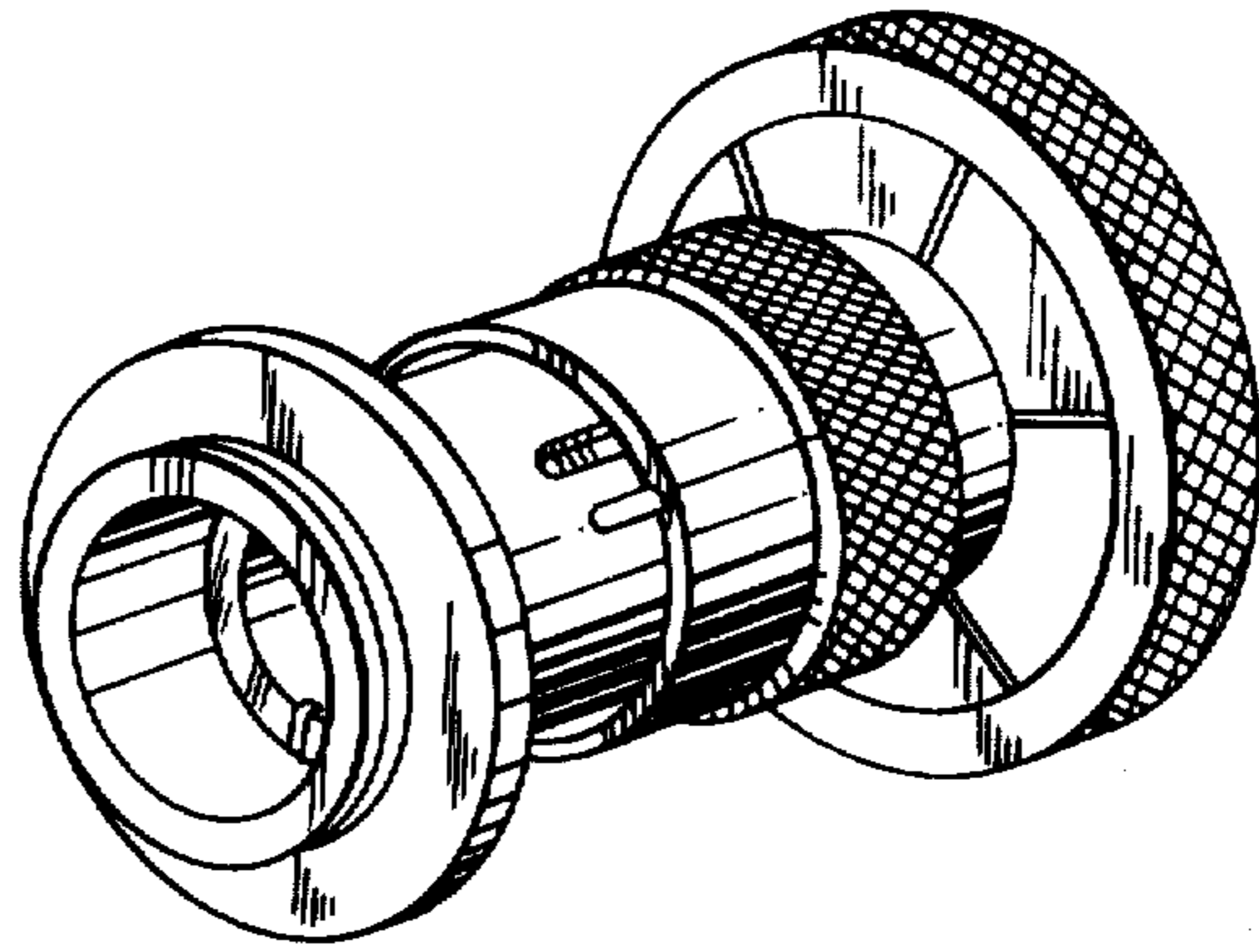


FIG. 1

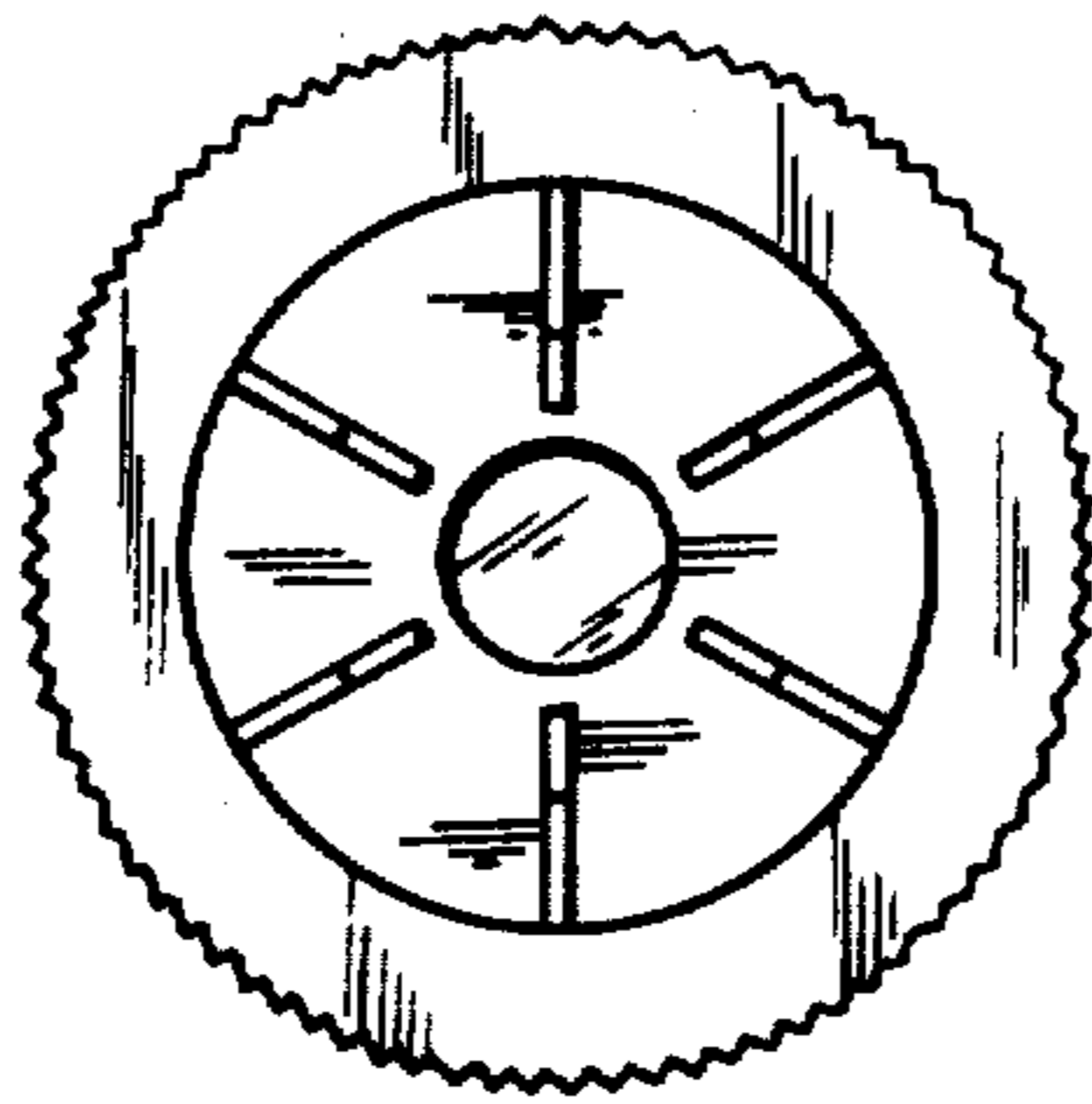


FIG. 2

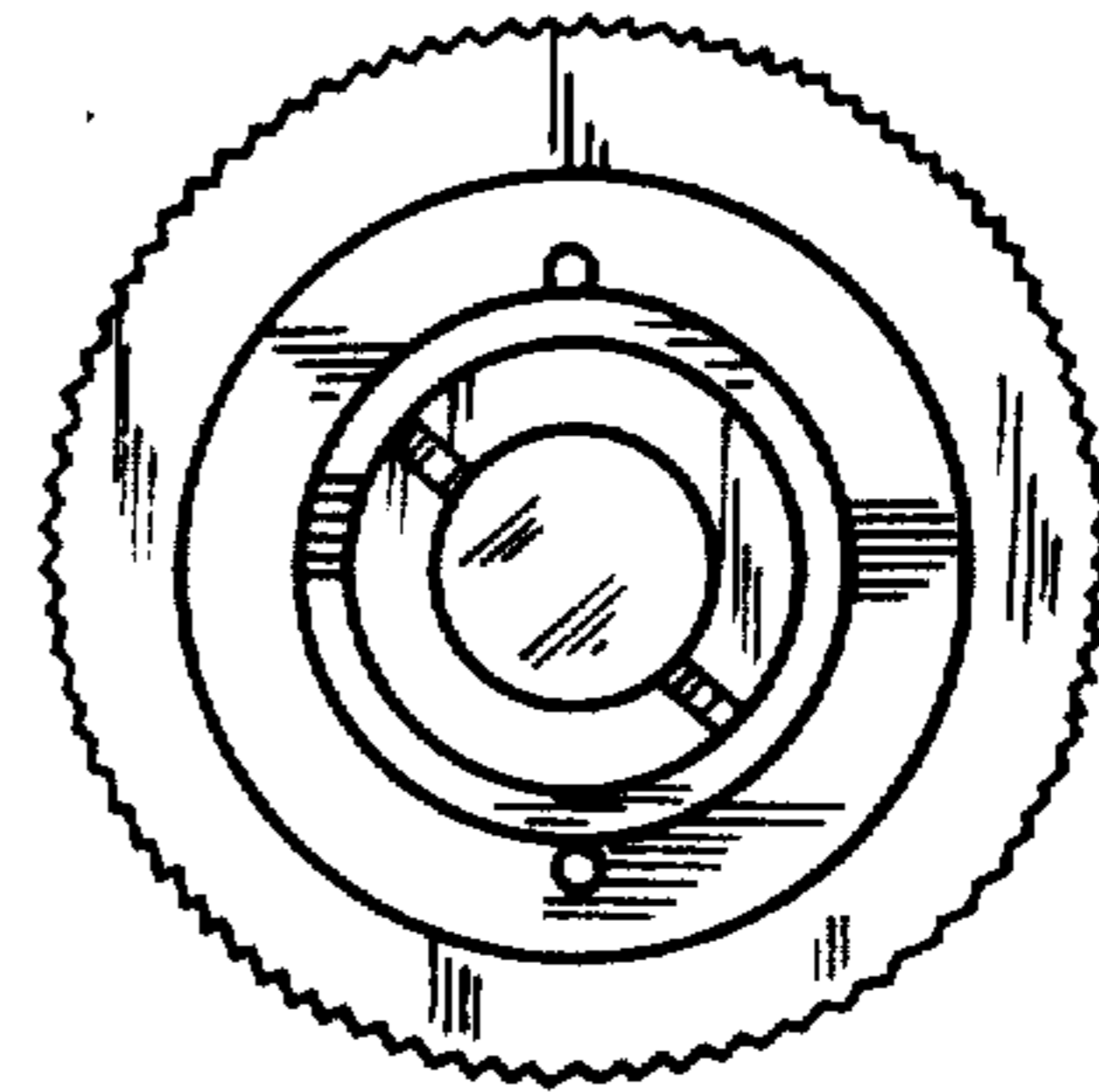


FIG. 3

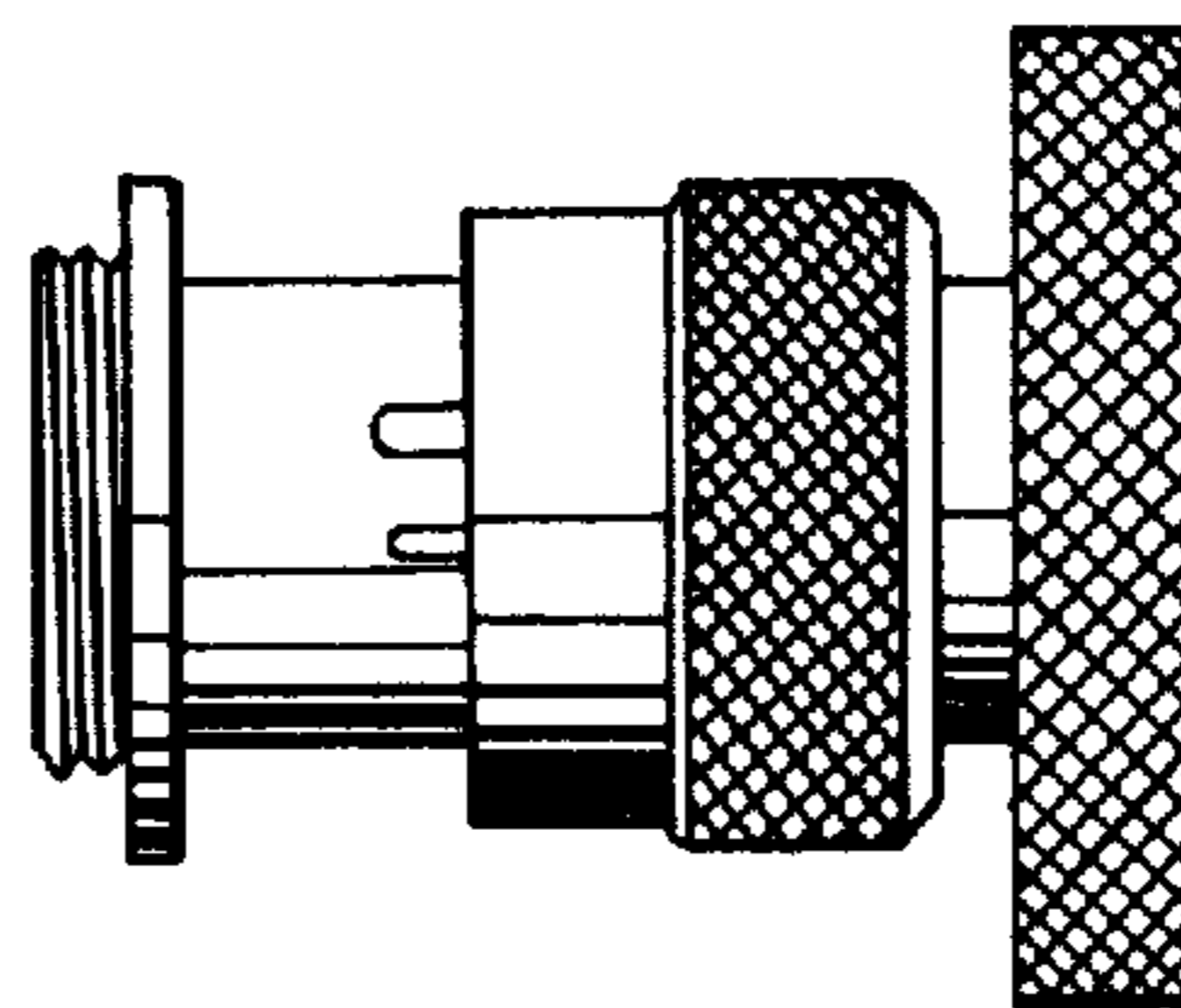


FIG. 4