

[54] AIR COMPRESSOR WITH AXIALLY EXTENDING COOLING FINS

[75] Inventors: Peter Schütt; Klaus Nitsche; Horst Grindler; Hans-Joachim Hofmann; Hans E. Slany, all of Baden-Württemberg, Fed. Rep. of Germany

[73] Assignee: Durr-Dental GmbH & Co., KG, Baden-Württemberg, Fed. Rep. of Germany

[\*\*] Term: 14 Years

[21] Appl. No.: 239,166

[22] Filed: Feb. 27, 1981

[51] Int. Cl. .... D15-02

[52] U.S. Cl. .... D15/9

[58] Field of Search ..... D15/7, 9; 417/355, 415, 417/419, 424; 60/39.34; D13/1

[56] References Cited

U.S. PATENT DOCUMENTS

- D. 131,894 11/1940 Houston ..... D15/9
- D. 179,746 2/1957 Sudmeier ..... D15/9
- D. 221,307 7/1971 Bills ..... D15/7
- D. 221,404 8/1971 Hussey ..... D15/7

Primary Examiner—Wallace R. Burke

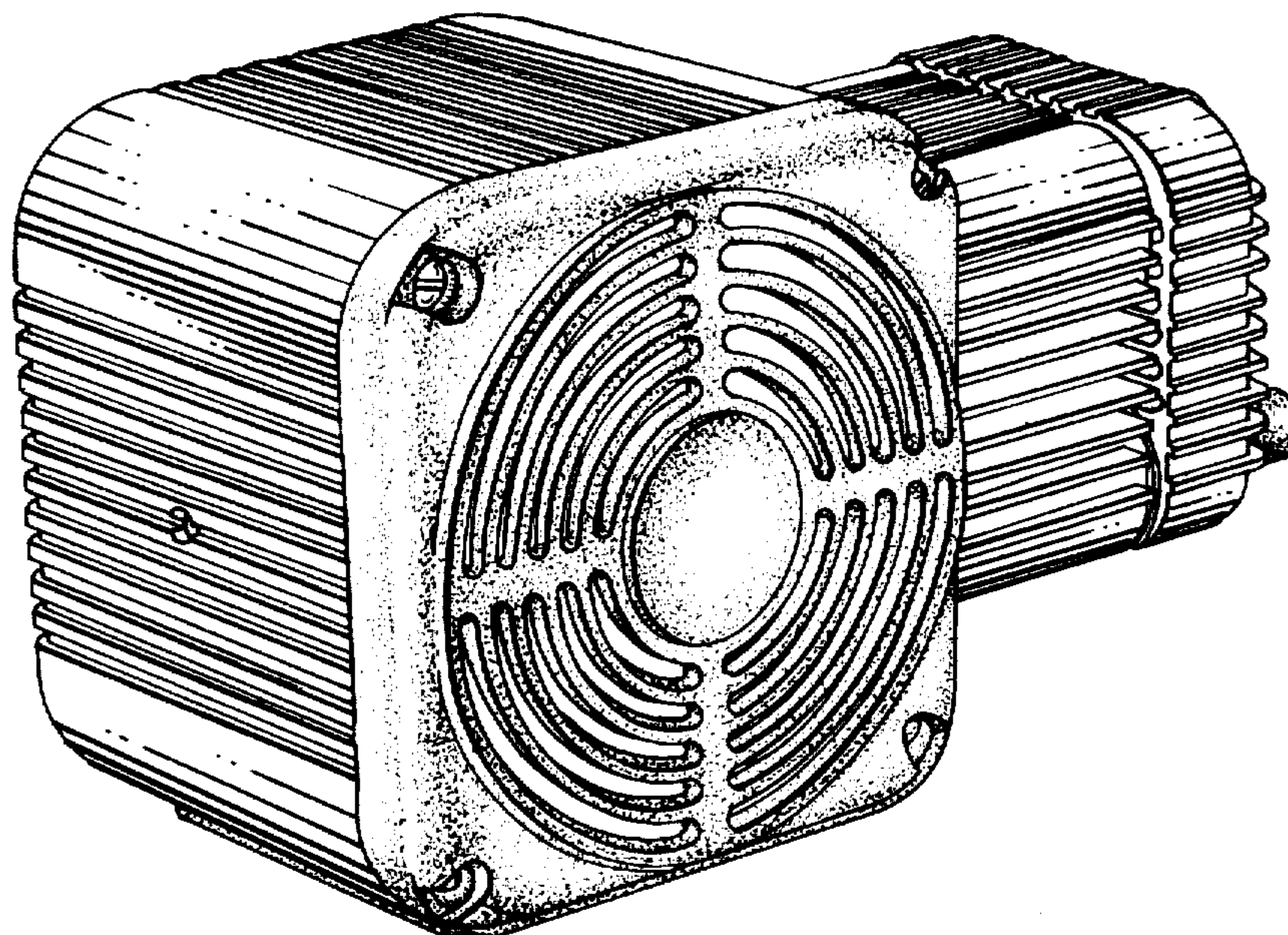
Assistant Examiner—Lynn Wilder  
Attorney, Agent, or Firm—Robert E. Burns; Emmanuel J. Lobato; Bruce L. Adams

[57] CLAIM

The ornamental design for air compressor with axially extending cooling fins, as shown and described.

DESCRIPTION

FIG. 1 is a perspective view of a first embodiment of an air compressor with axially extending cooling fins, showing our new design;  
 FIG. 2 is a perspective view showing the opposite side;  
 FIG. 3 is a bottom plan view;  
 FIG. 4 is a perspective view of a second embodiment of an air compressor with axially extending cooling fins, showing our new design;  
 FIG. 5 is a perspective view showing the side opposite to that shown in FIG. 4;  
 FIG. 6 is a top perspective view of the embodiment shown in FIGS. 4 and 5;  
 FIG. 7 is a side view of a third embodiment of an air compressor with axially extending cooling fins, showing our new design. Except for the addition of a third cylinder, the design shown in FIG. 7 is the same as that shown in FIGS. 4 to 6.  
 The air compressor is characterized by having one, two, or three outwardly square cylinders on which cooling fins extend axially of the cylinder.





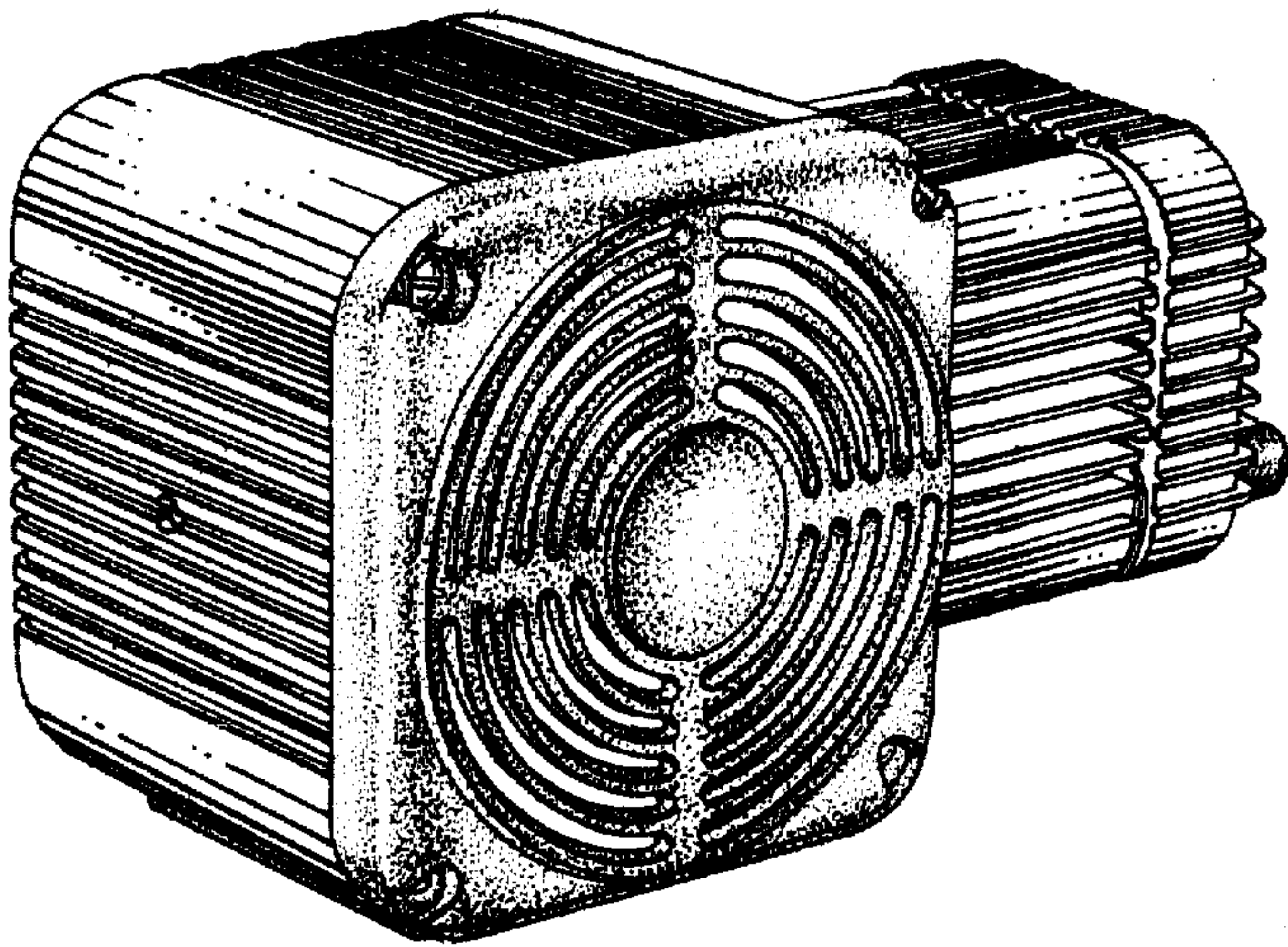


FIG. 1

FIG. 2

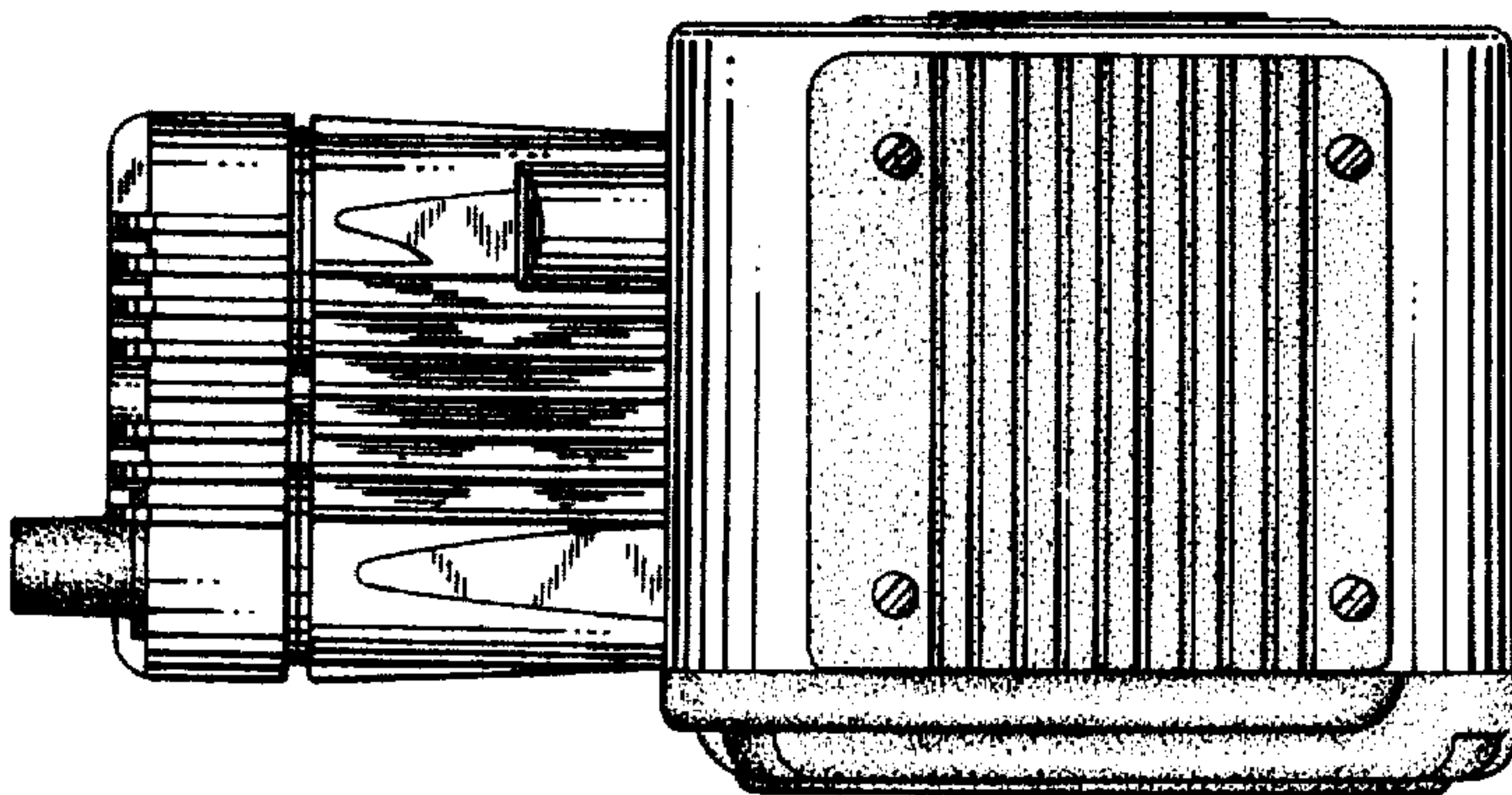
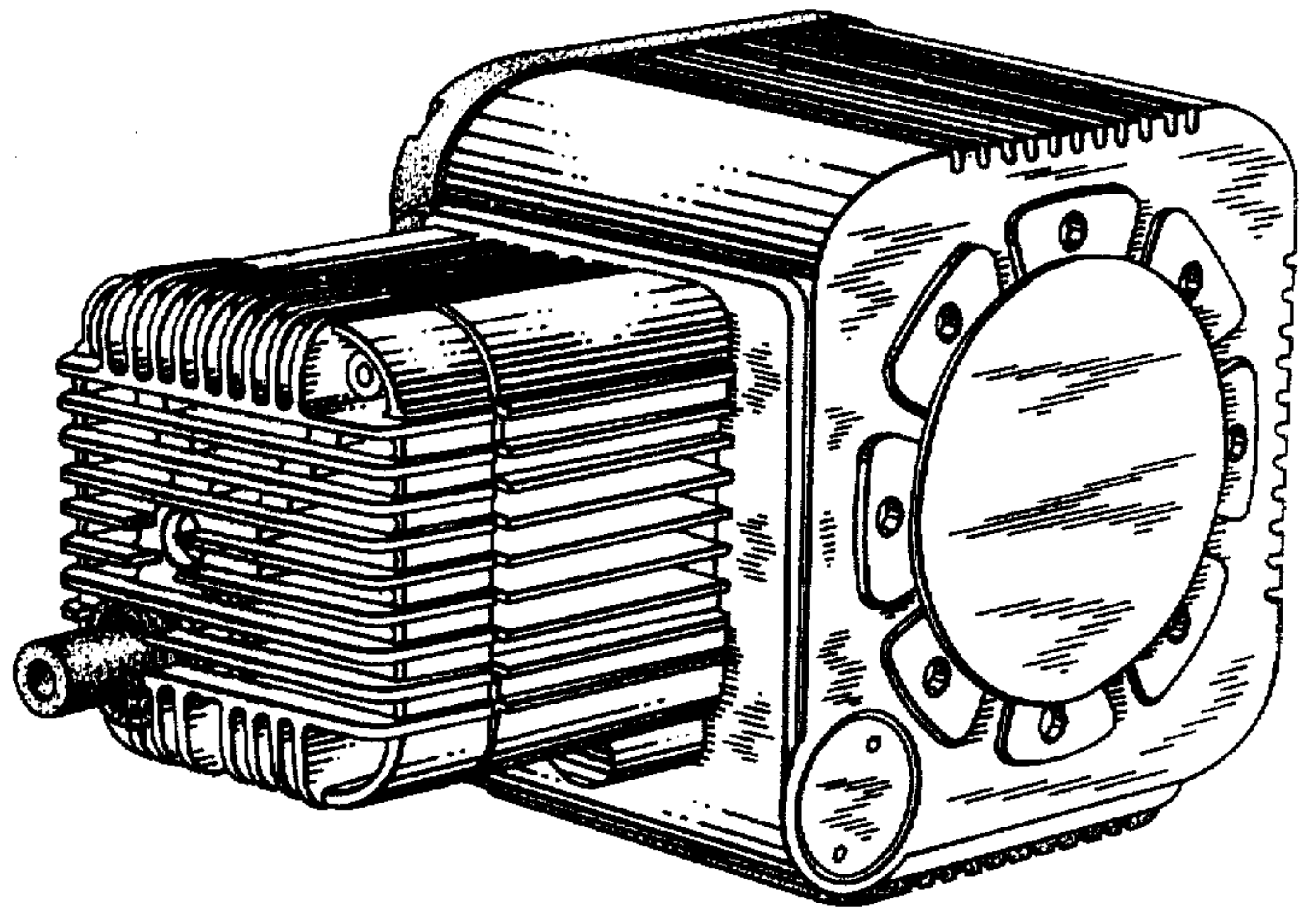


FIG. 3



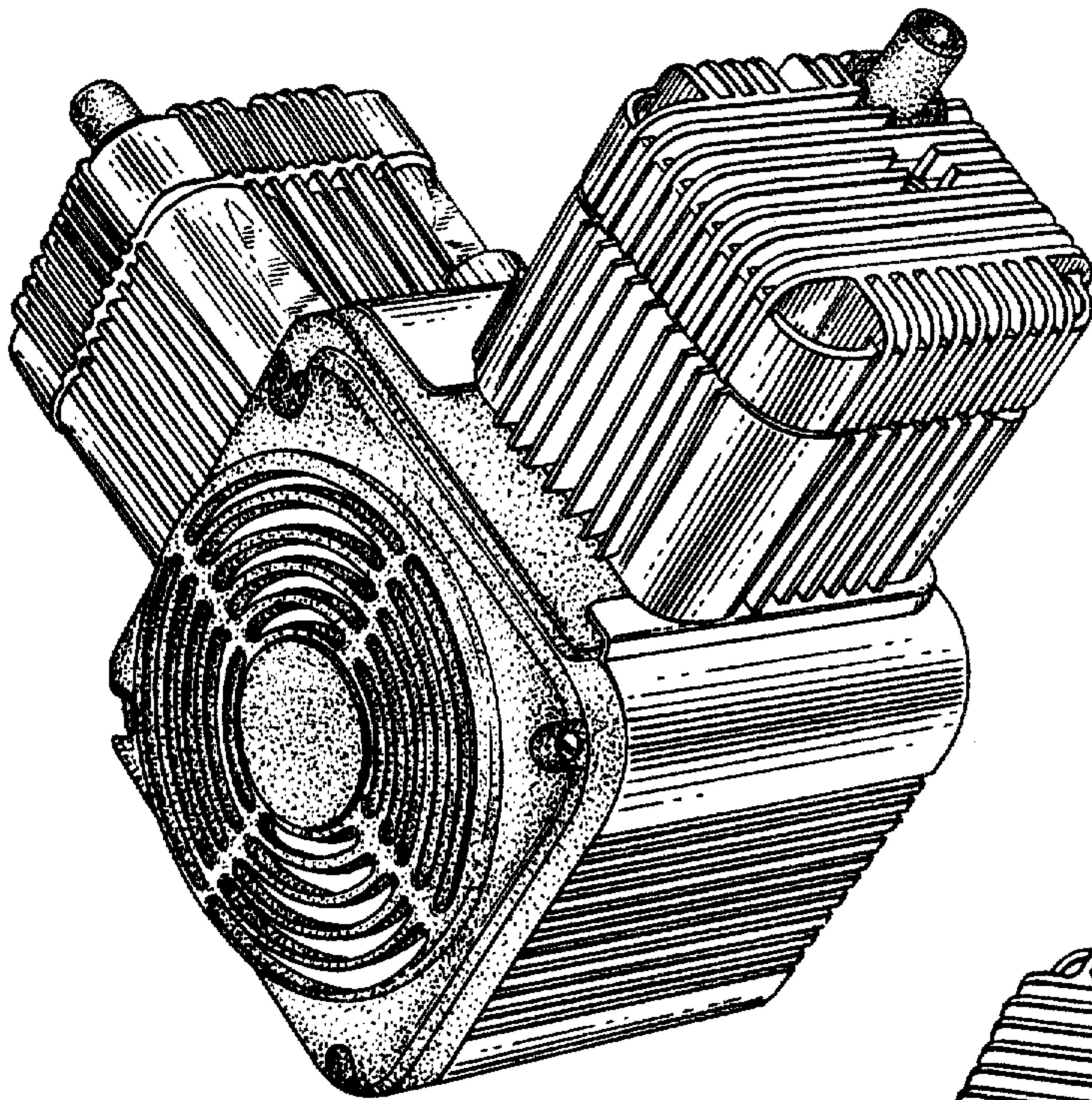


FIG. 4

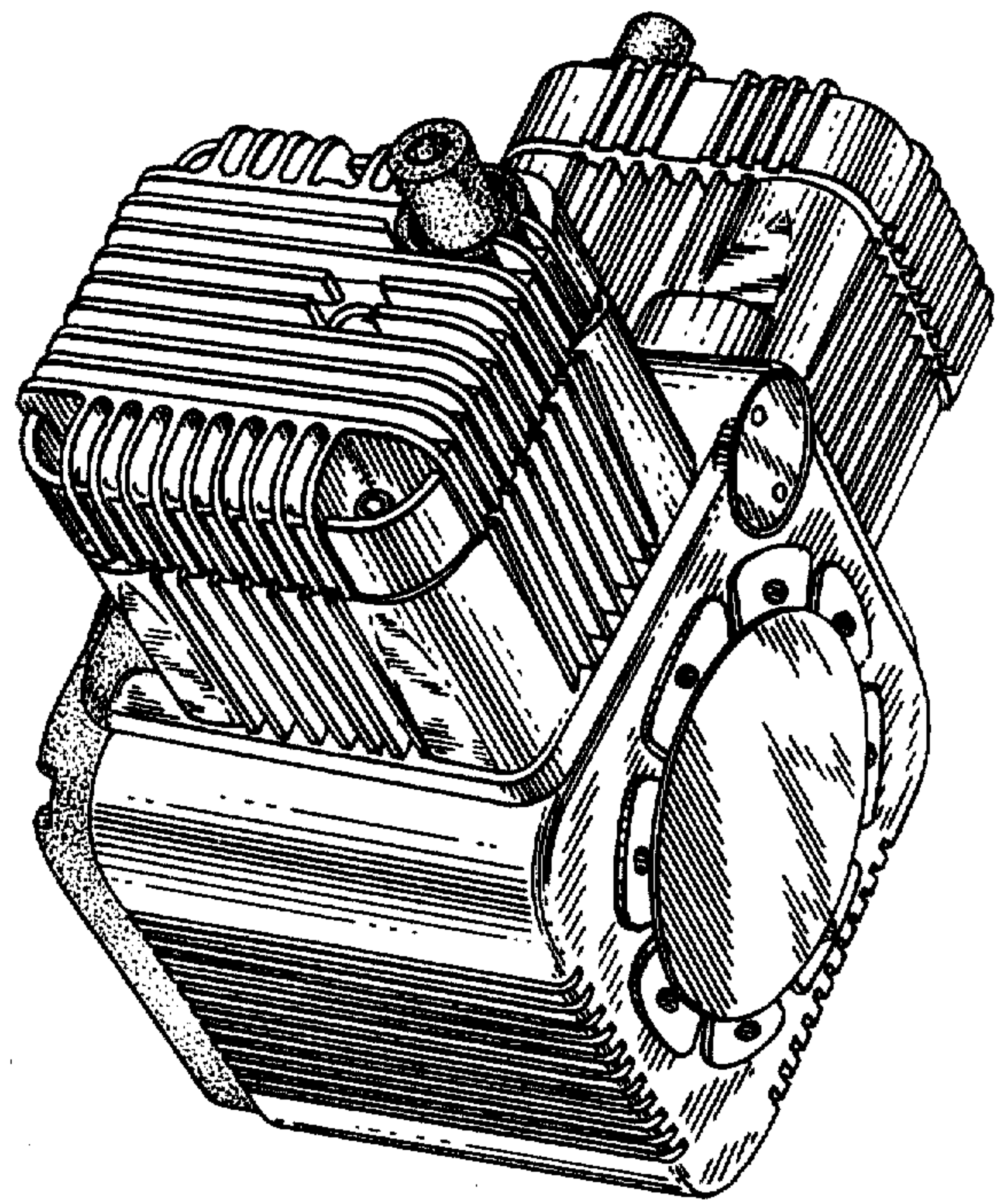


FIG. 5

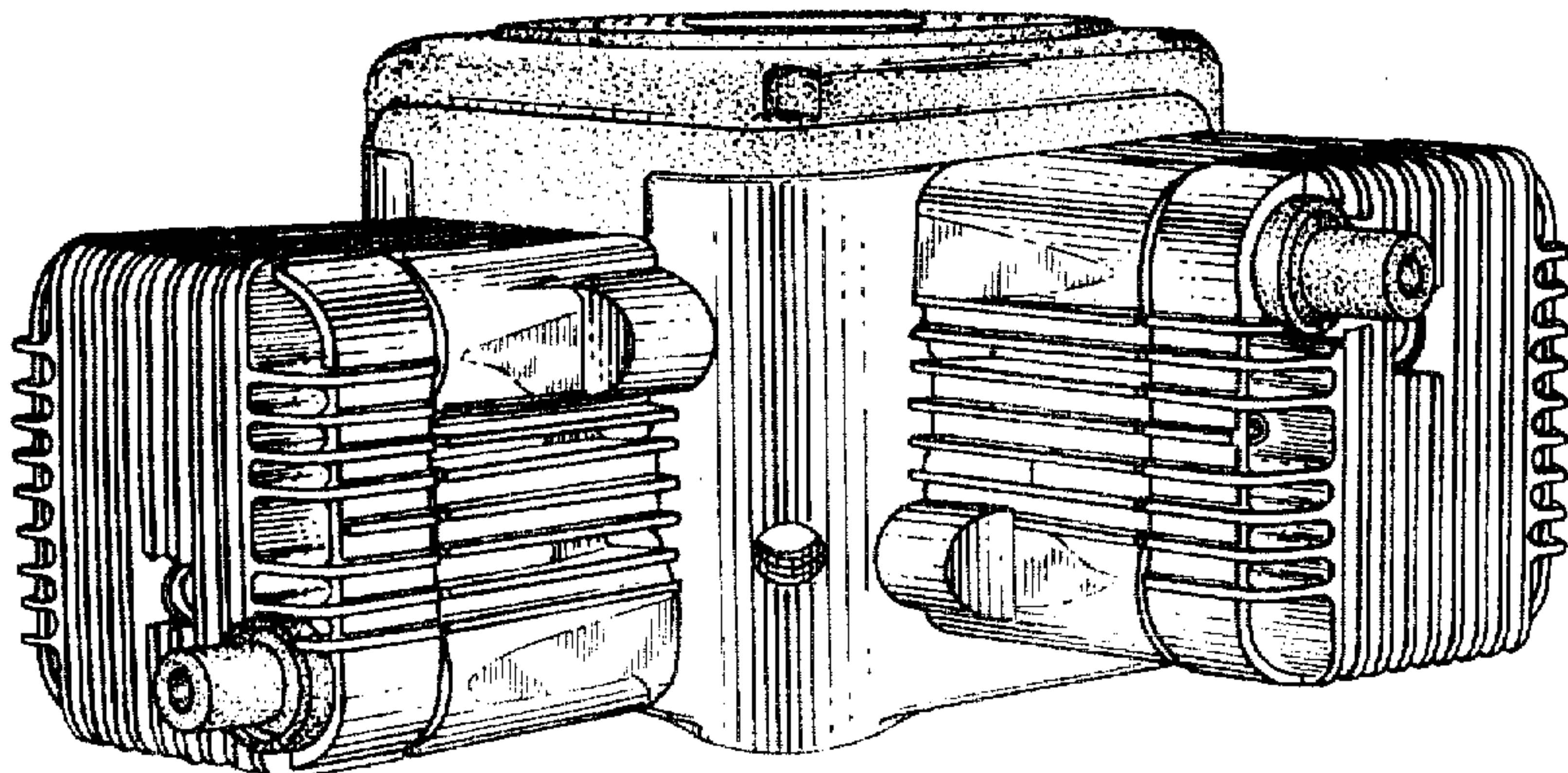
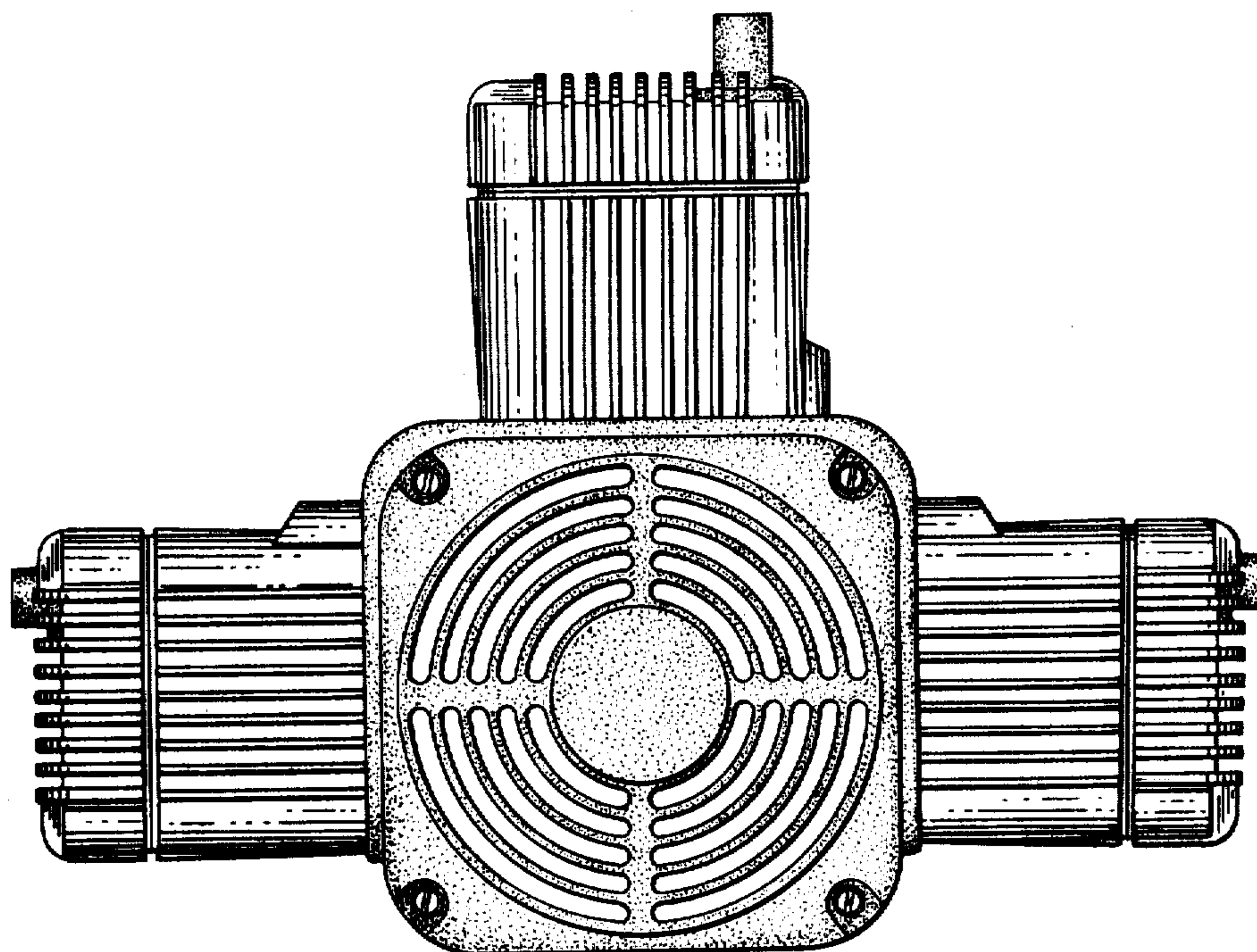


FIG. 6



*FIG. 7*