

[54] ELECTRICAL CONNECTOR

[75] Inventor: Joseph E. Tetreault, Norwell, Mass.

[73] Assignee: Anderson Power Products, Inc., Boston, Mass.

[**] Term: 14 Years

[21] Appl. No.: 72,960

[22] Filed: Sep. 6, 1979

[51] Int. Cl. D13-03

[52] U.S. Cl. D13/24

[58] Field of Search D13/24; 339/184 R, 184 M

[56] References Cited

U.S. PATENT DOCUMENTS

- 2,386,177 10/1945 Andersen 339/184 M X
- 3,794,957 2/1974 Winkler 339/184 R X
- 3,953,099 4/1976 Wilson 339/184 M X

FOREIGN PATENT DOCUMENTS

1407983 10/1975 United Kingdom 339/184 M

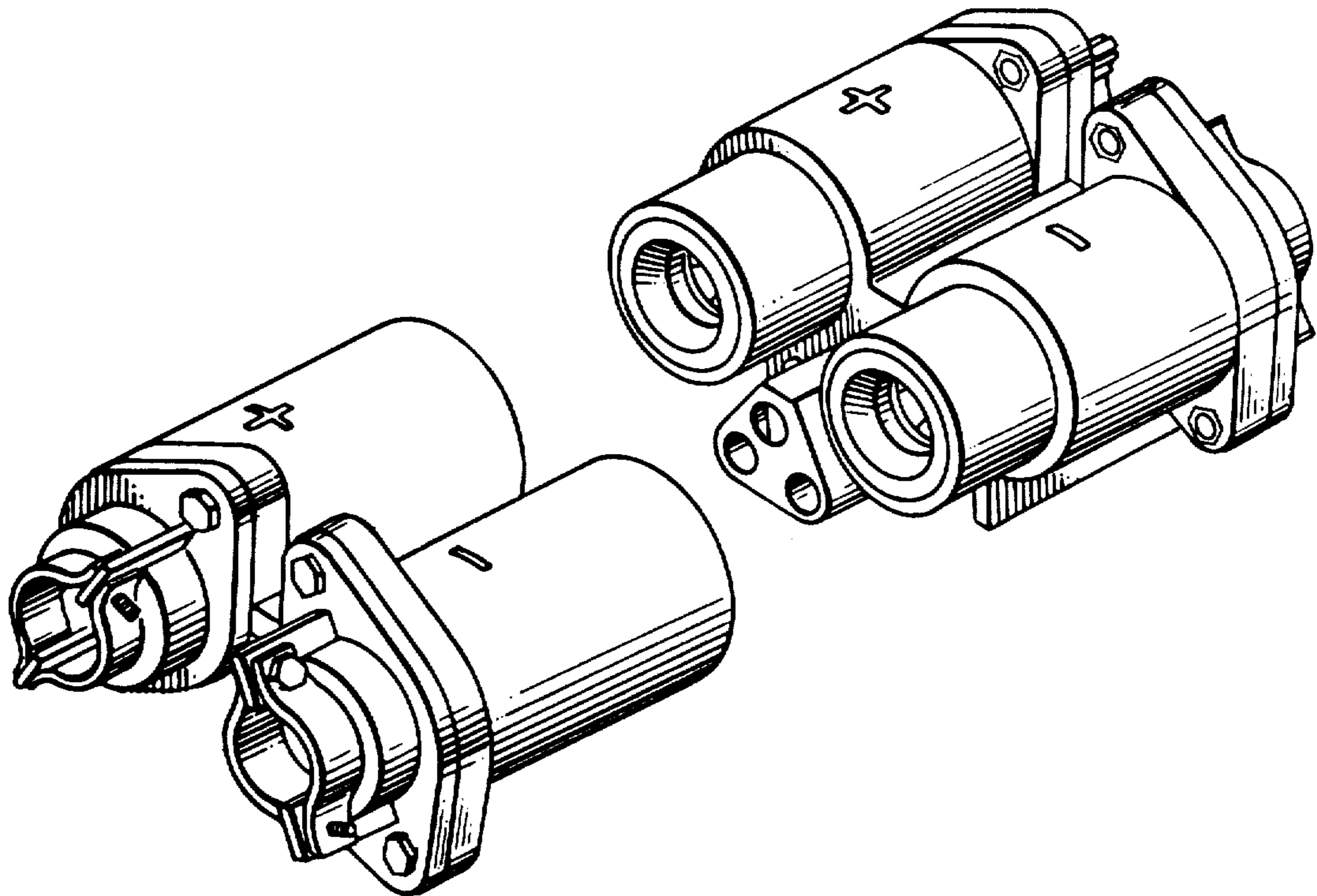
Primary Examiner—Catherine E. Kemper
Attorney, Agent, or Firm—Richard J. Birch

[57] CLAIM

The ornamental design for an electrical connector, as shown and described.

DESCRIPTION

FIG. 1 is a top left side exploded view of an electrical connector showing my new design;
 FIG. 2 is a top right side exploded view thereof;
 FIG. 3 is a bottom exploded view of the electrical connector on an enlarged scale;
 FIG. 4 is an elevational view on an enlarged scale of the interior end of the male or plug half of the connector;
 FIG. 5 is an elevational view on an enlarged scale of the cable clamping end common to both halves of the connector; and,
 FIG. 6 is a side elevational view on an enlarged scale of the assembled connector.



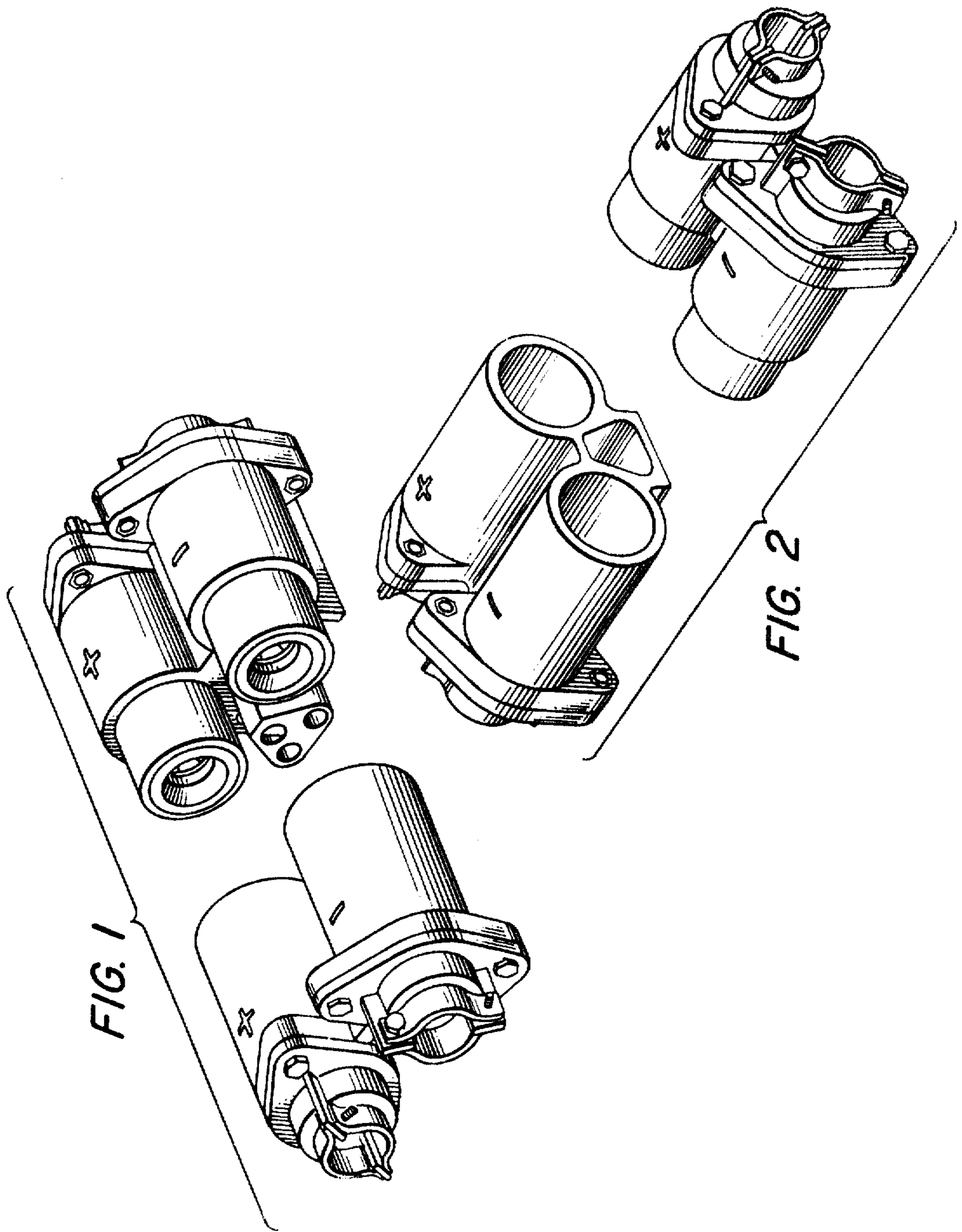


FIG. 1

FIG. 2

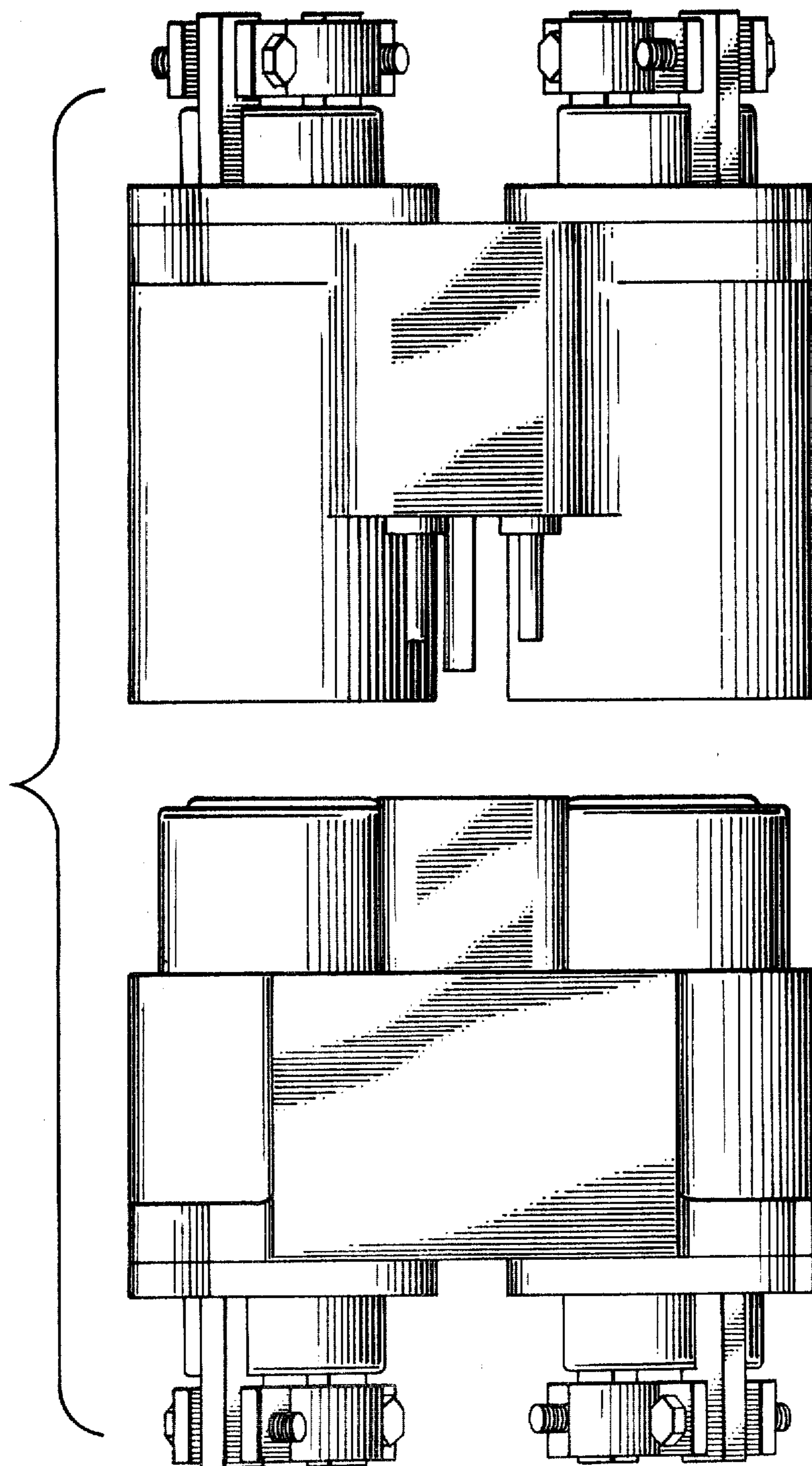


FIG. 3

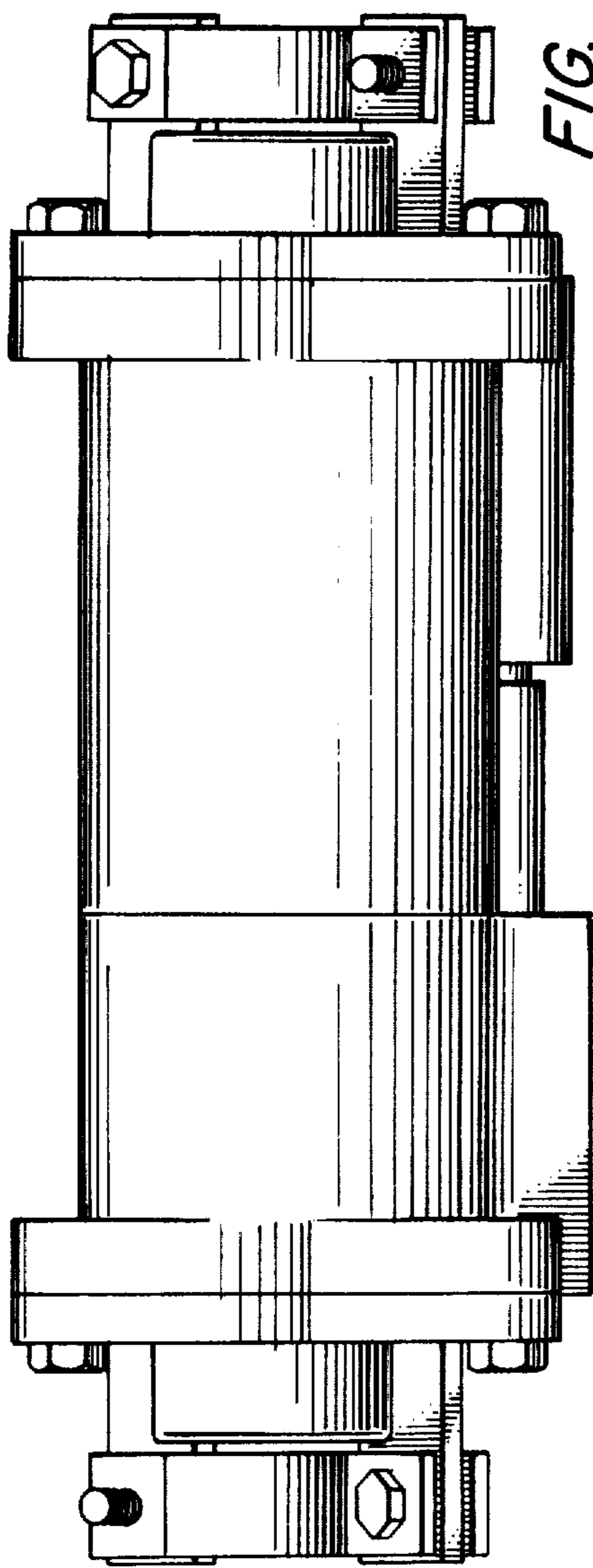


FIG. 6

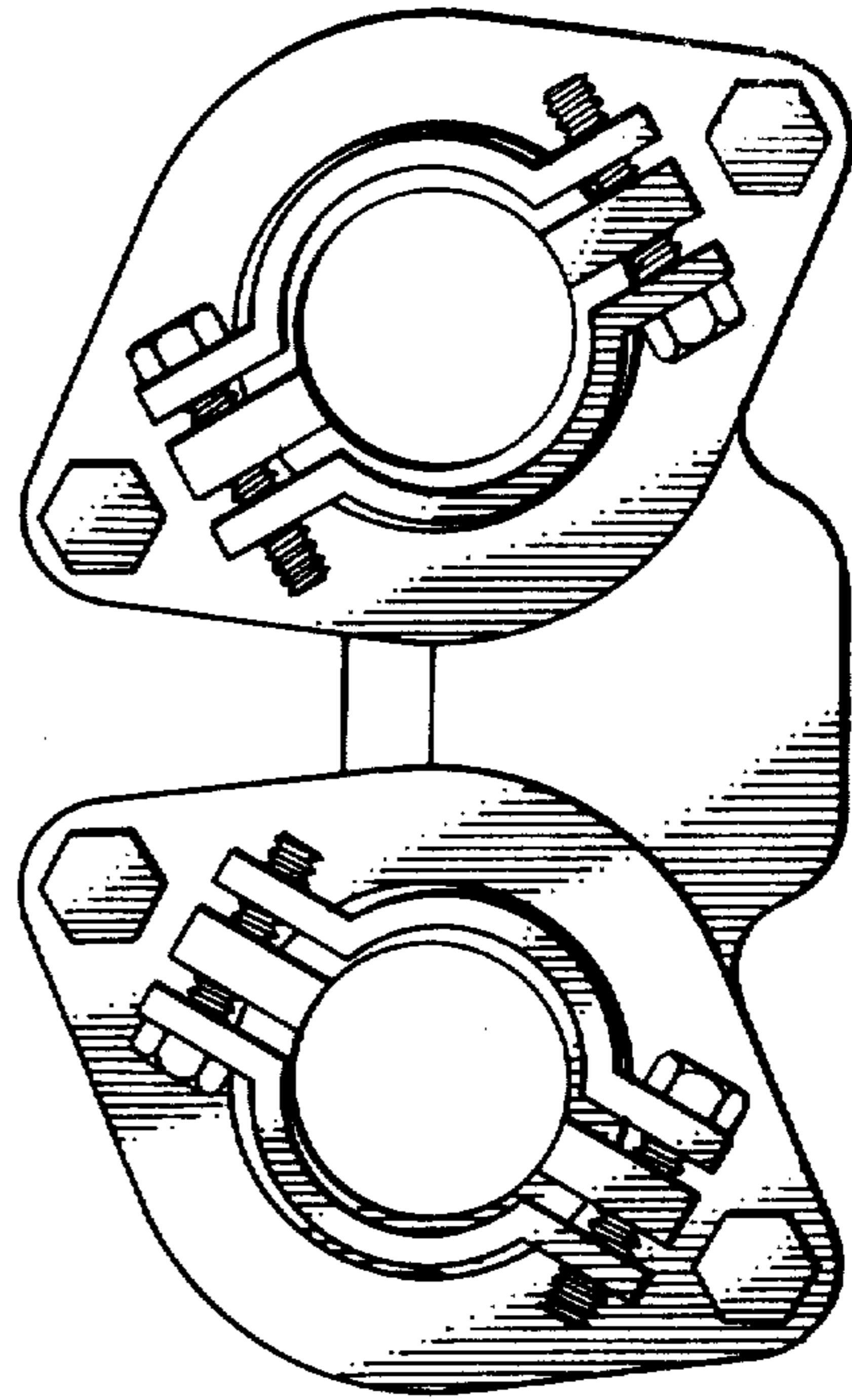


FIG. 5

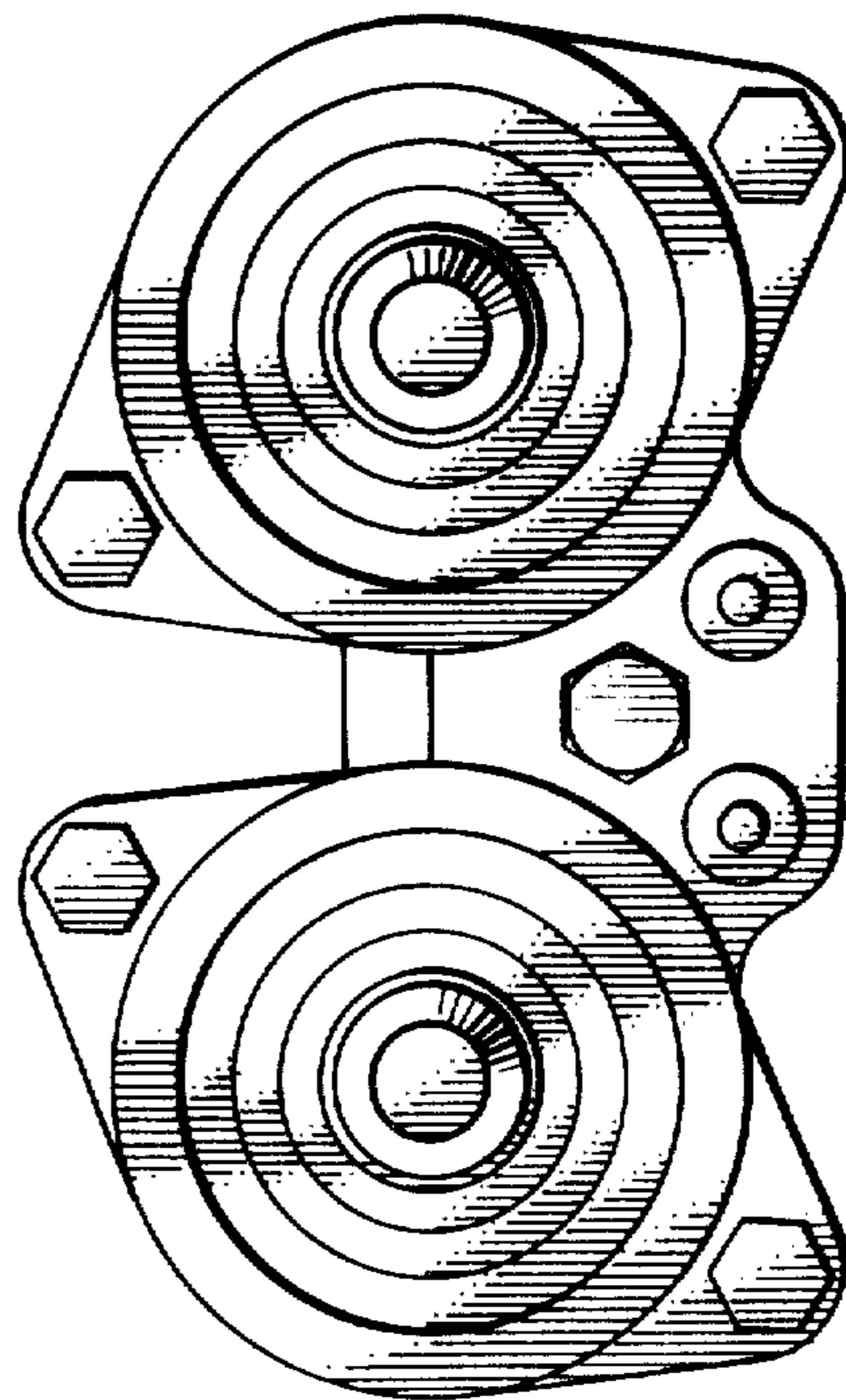


FIG. 4