

[54] FLAGSTAFF

[76] Inventor: Muratd Dostourian, Gobernador Vigodet 2837, Montevideo, Uruguay

[**] Term: 14 Years

[21] Appl. No.: 231,434

[22] Filed: Feb. 4, 1981

[30] Foreign Application Priority Data

Aug. 4, 1980 [AR] Argentina 39973

[51] Int. Cl. D11-05

[52] U.S. Cl. D11/181

[58] Field of Search D11/165, 166, 181-183; D6/125; 116/173-175; 248/511

[56] References Cited

U.S. PATENT DOCUMENTS

2,277,981 3/1942 Horton D11/181 X
2,853,046 9/1958 Meade D11/166 X
3,715,821 2/1973 Hawes 116/173 X

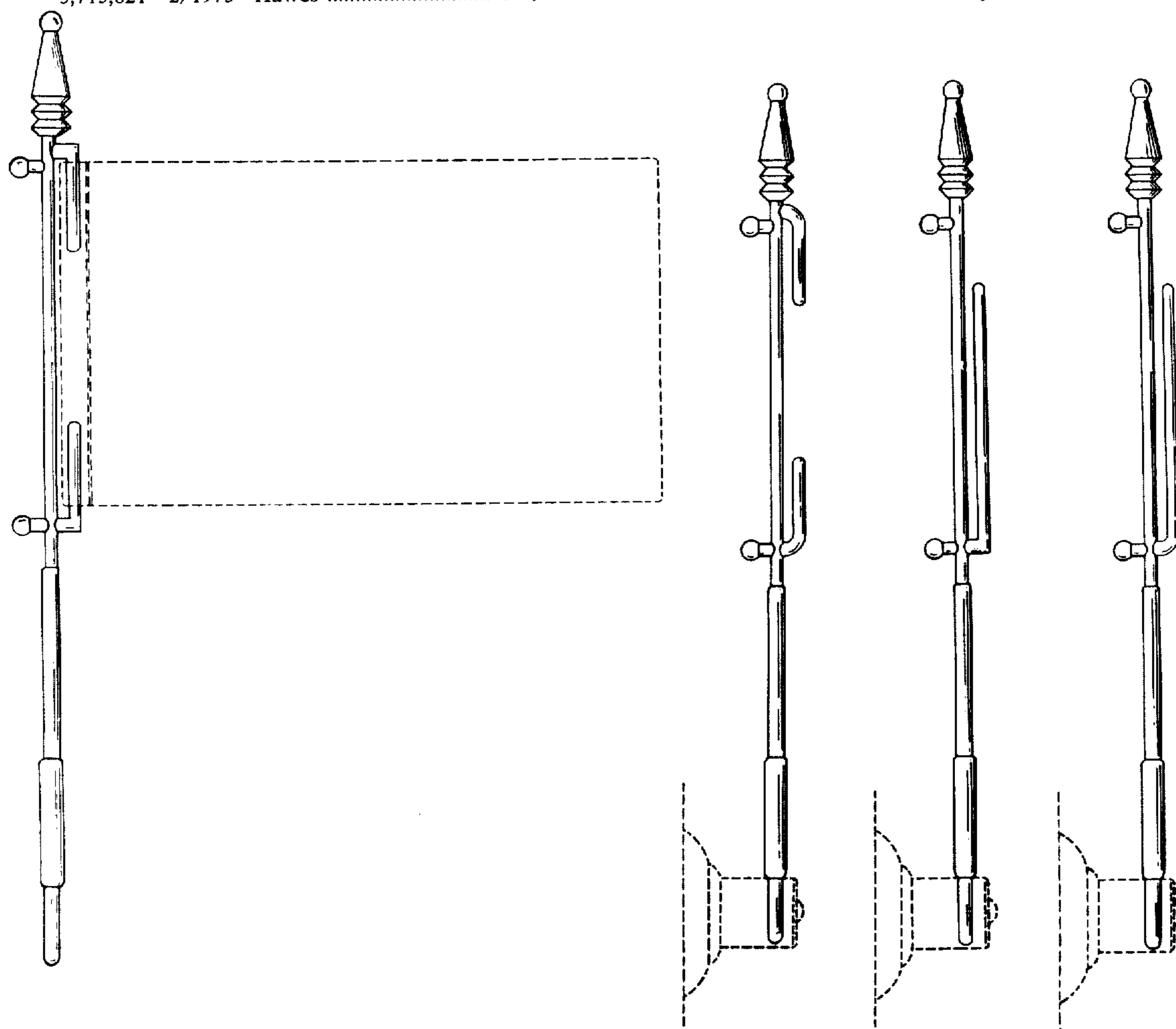
Primary Examiner—Louis S. Zarfes
Attorney, Agent, or Firm—Angelo Notaro

[57] CLAIM

The ornamental design for a flagstaff, as shown.

DESCRIPTION

FIG. 1 is a left side elevational view of a flagstaff showing my new design;
FIG. 2 is a partial perspective view of the upper portion thereof;
FIG. 3 is a front elevational view thereof;
FIG. 4 is a rear elevational view thereof;
FIG. 5 is a top plan view thereof;
FIG. 6 is a bottom plan view thereof;
FIG. 7 is a left side elevational view of a flagstaff showing a second embodiment of my new design;
FIG. 8 is a left side elevational view of a flagstaff showing a third embodiment of my new design;
FIG. 9 is a left side elevational view of a flagstaff showing a fourth embodiment of my new design.
The broken line showing of a flag in FIGS. 1 and 2 and suction cups in FIGS. 7-9 is intended to be illustrative of environmental structure only.



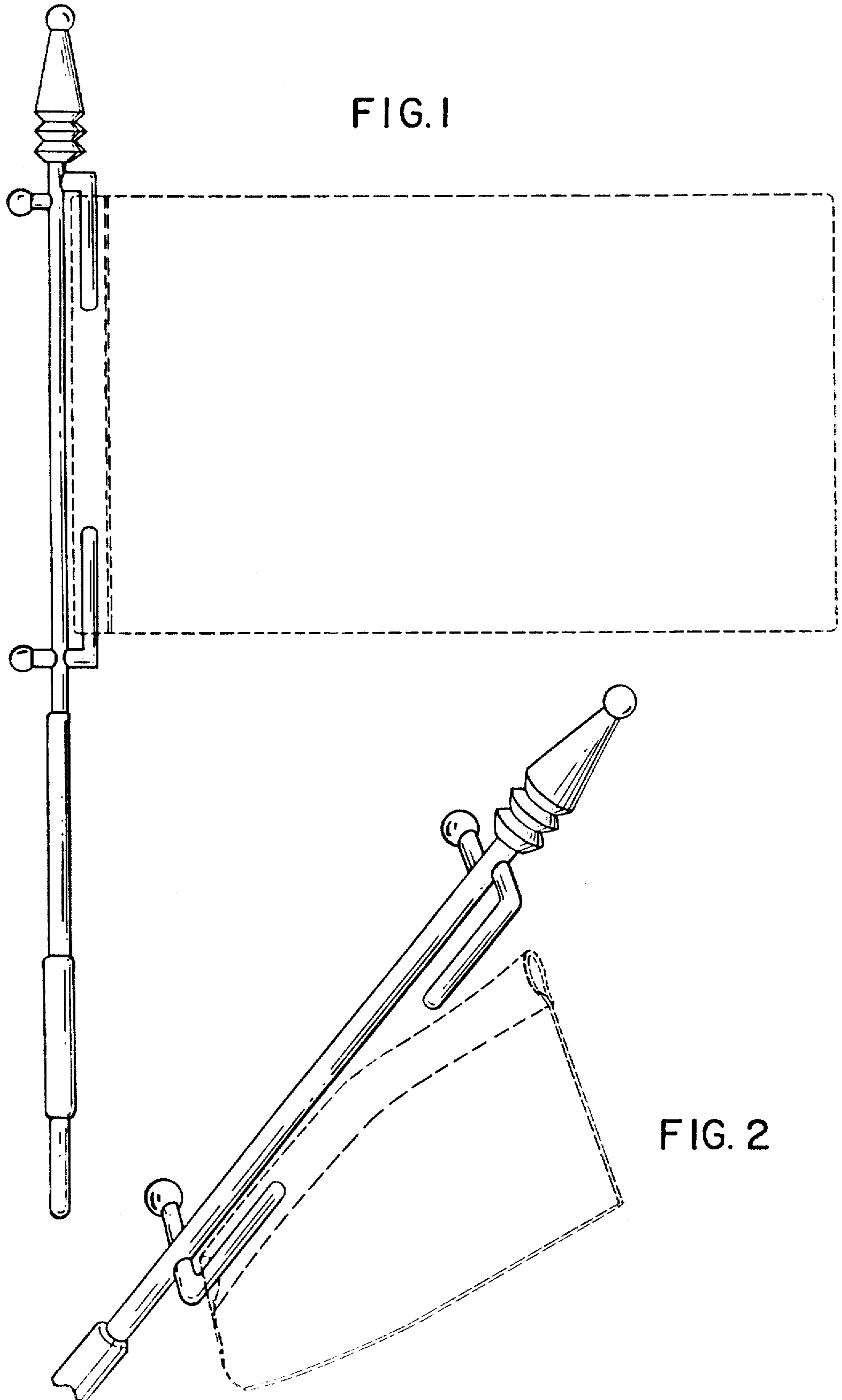




FIG. 3



FIG. 4

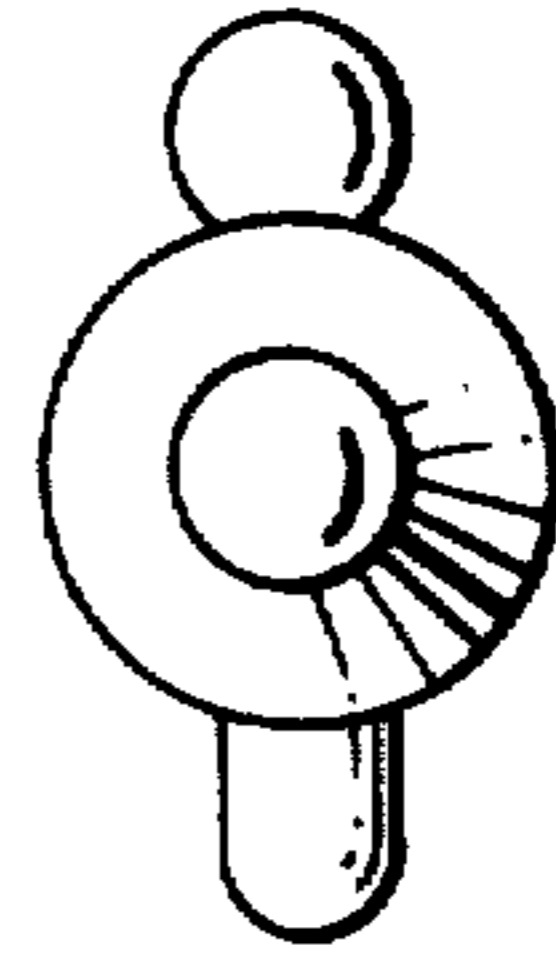


FIG. 5

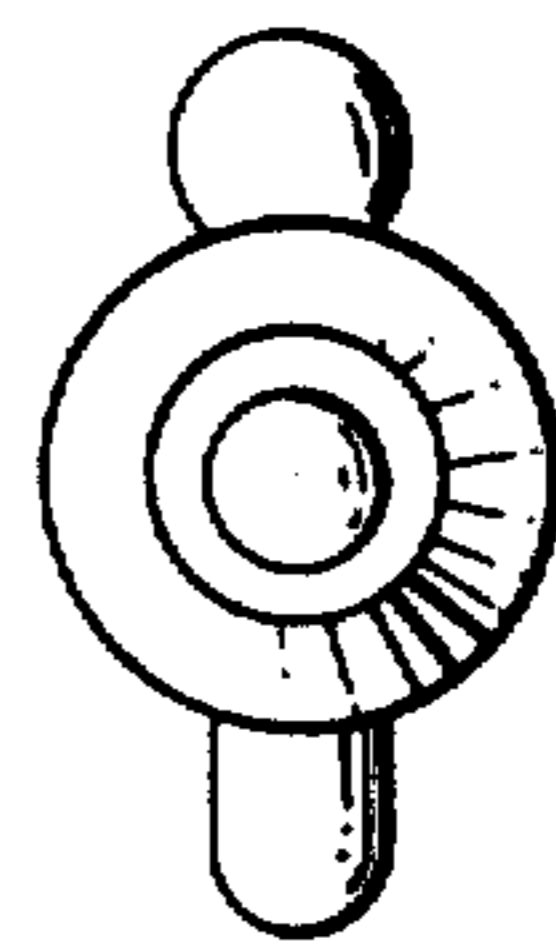


FIG. 6

