

[54] COMBINED TOUCH UP HAIR BRUSH WITH HAIR SPRAY DISPENSER

[76] Inventor: Elbert R. Smith, 311 Spenseth Dr., Montgomery, Ala. 36109

[**] Term: 14 Years

[21] Appl. No.: 279,820

[22] Filed: Jul. 2, 1981

[51] Int. Cl. D9-01; D4-02

[52] U.S. Cl. D9/338; D4/17

[58] Field of Search D4/17-21, D4/29-36, 13; D9/338; 132/9, 85, 112, 118; 15/159, 160; 401/137, 139

[56] References Cited

U.S. PATENT DOCUMENTS

D. 264,181 5/1982 Booso D4/13 X
3,544,226 12/1970 Kellis 401/137 X

FOREIGN PATENT DOCUMENTS

1087330 8/1960 Fed. Rep. of Germany 401/139

Primary Examiner—Catherine E. Kemper
Attorney, Agent, or Firm—Woodford R. Thompson, Jr.

[57] CLAIM

The ornamental design for a combined touch up hair brush with hair spray dispenser, as shown.

DESCRIPTION

FIG. 1 is a top plan view of a combined touch up hair brush with hair spray dispenser showing my new design;
FIG. 2 is a bottom view thereof;
FIG. 3 is a side elevational view thereof;
FIG. 4 is a side elevational view of the side opposite that shown in FIG. 3;
FIG. 5 is an end view thereof; and,
FIG. 6 is an end view of the end opposite that shown in FIG. 5.

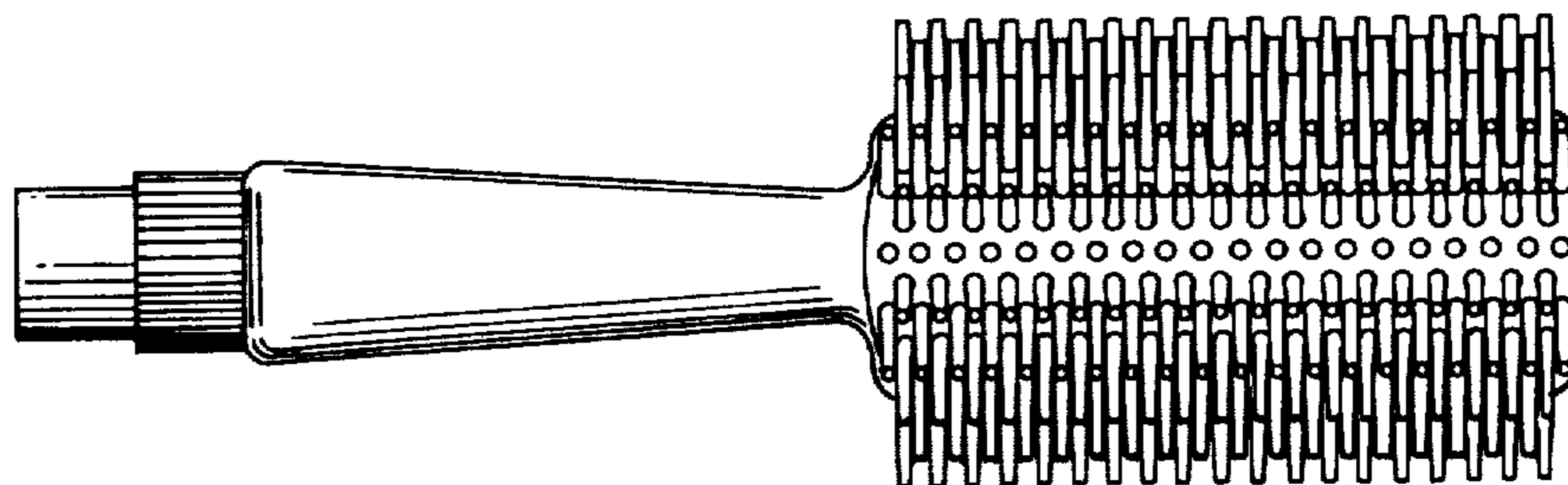


FIG. 1

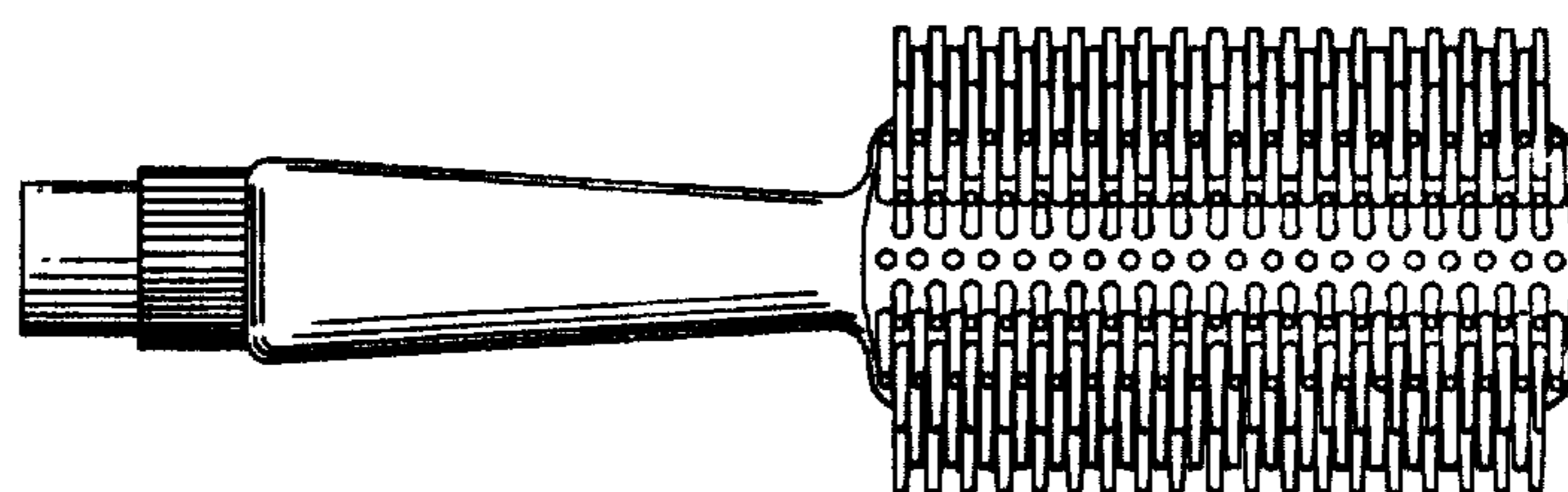


FIG. 2

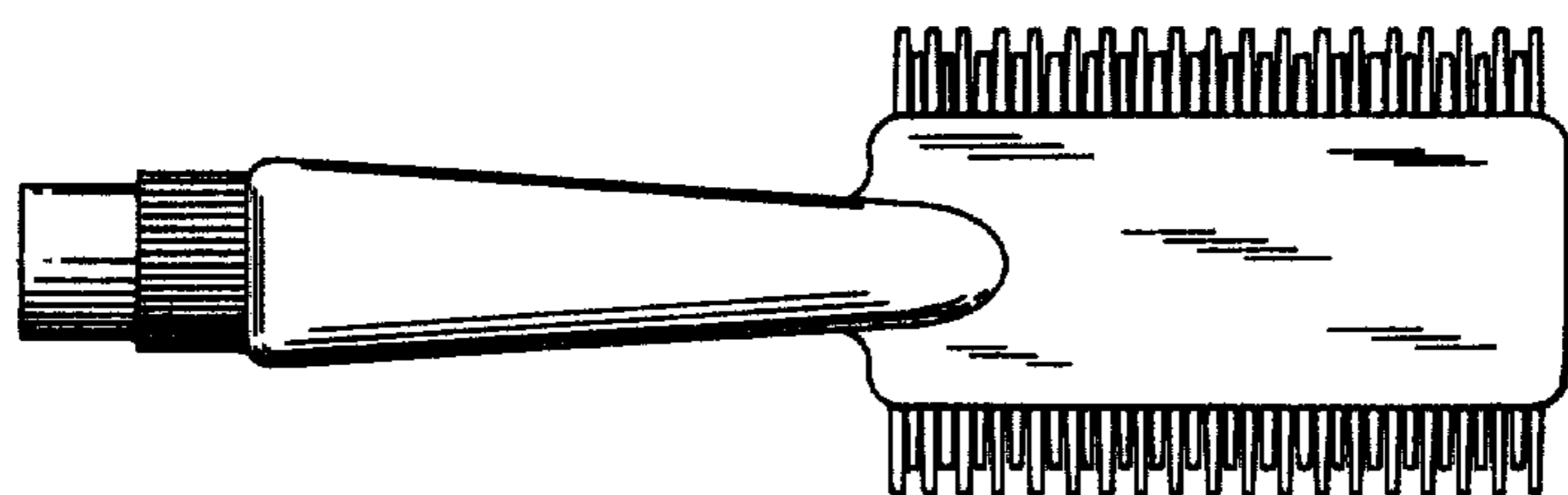


FIG. 3

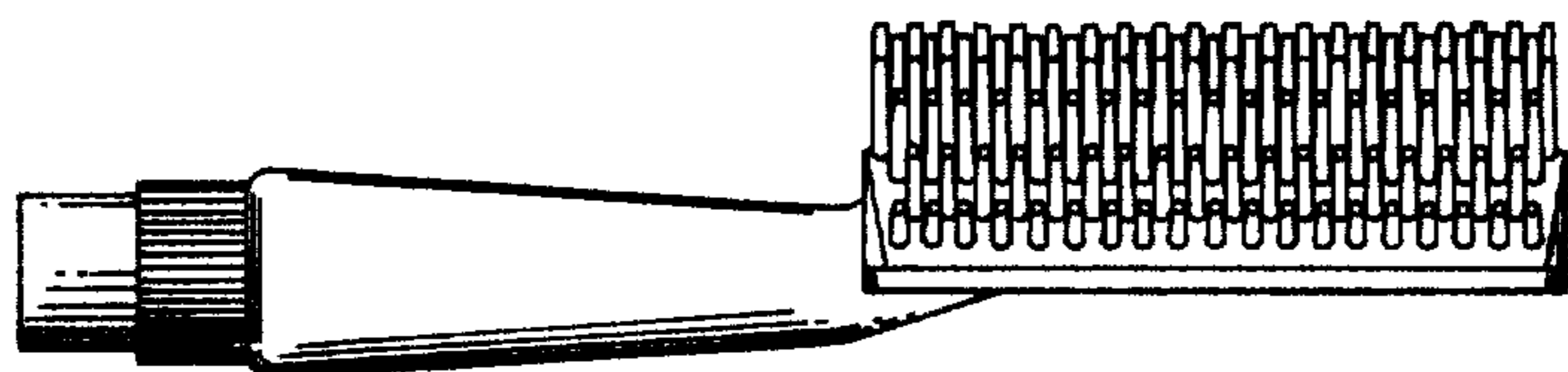


FIG. 4

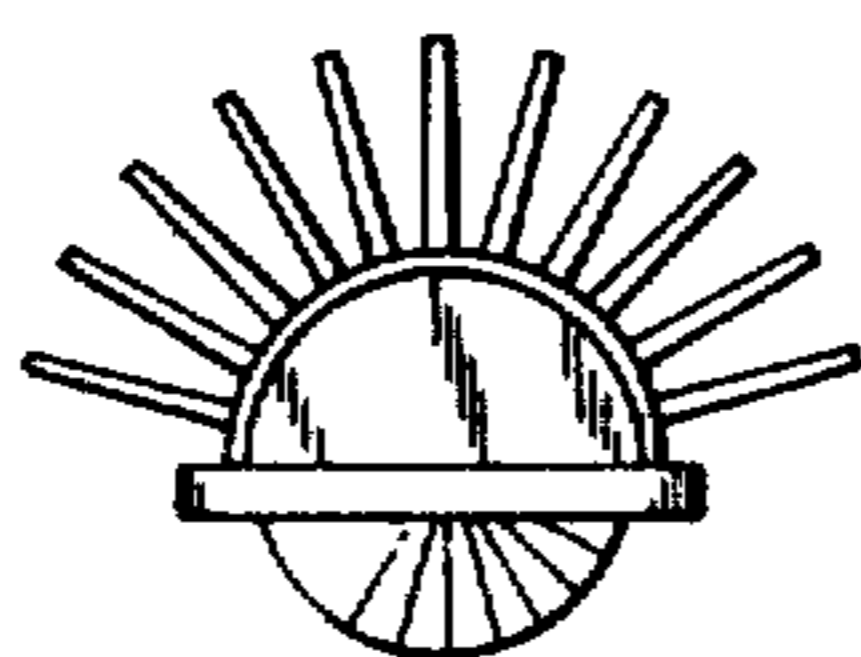
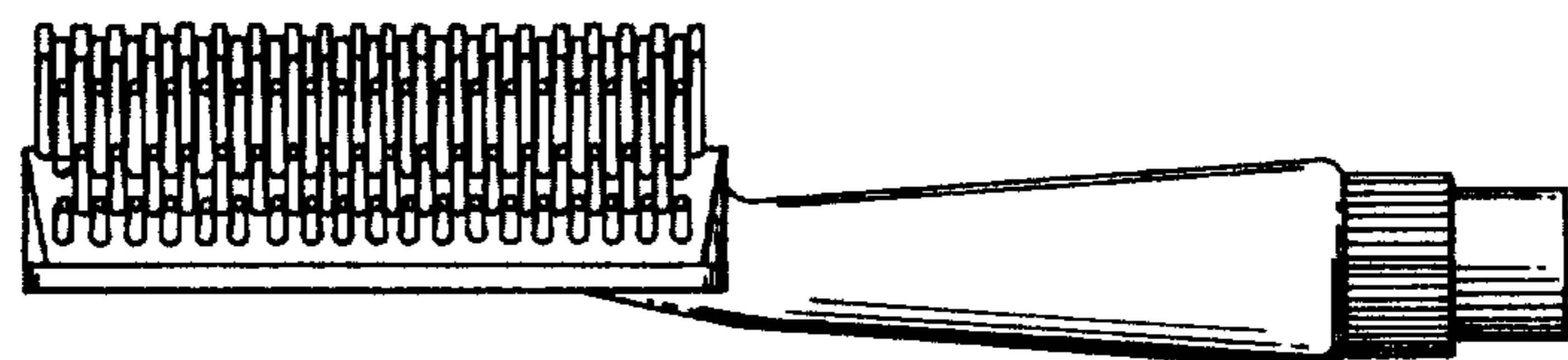


FIG. 5

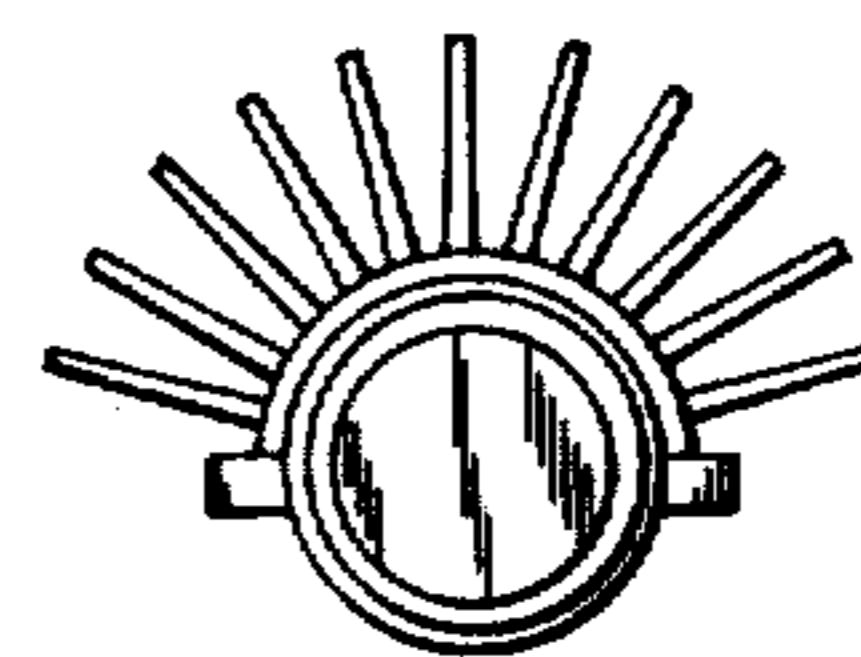


FIG. 6