

[54] LOCKING PIECE FITTER FOR LABELS, PRICE TAGS AND THE LIKE

[75] Inventor: Tadashi Suzuki, Saitama, Japan

[73] Assignee: Satogosei Co., Ltd., Tokyo, Japan

[**] Term: 14 Years

[21] Appl. No.: 244,862

[22] Filed: Mar. 18, 1981

[30] Foreign Application Priority Data

Sep. 19, 1980 [JP] Japan 55-38728

[51] Int. Cl. D8-05

[52] U.S. Cl. D8/51; D3/18

[58] Field of Search D8/51; 227/67

[56] References Cited

U.S. PATENT DOCUMENTS

- D. 223,138 3/1972 Mulholland D8/51
- D. 234,551 3/1975 Fosella D3/18
- 3,924,788 12/1975 Furutu D8/51 X
- 4,049,178 9/1977 Strausburg 227/67

4,090,653 5/1978 Furutu 227/67

Primary Examiner—Alan P. Douglas
Attorney, Agent, or Firm—Mason, Fenwick & Lawrence

[57] CLAIM

The ornamental design for a locking piece fitter for labels, price tags and the like, as shown and described.

DESCRIPTION

FIG. 1 is a perspective view of a locking piece fitter for labels, price tags and the like, embodying my new design;

FIG. 2 is a side elevation view thereof seen from the side opposite that visible in FIG. 1;

FIG. 3 is a top plan view thereof;

FIG. 4 is a bottom view thereof;

FIG. 5 is a side elevation view, as seen from the side opposite that shown in FIG. 2;

FIG. 6 is a front end view thereof, view from the right of FIG. 5;

FIG. 7 is a rear view thereof;

FIG. 8 is a vertical transverse section view, taken along the line A—A of FIG. 2.

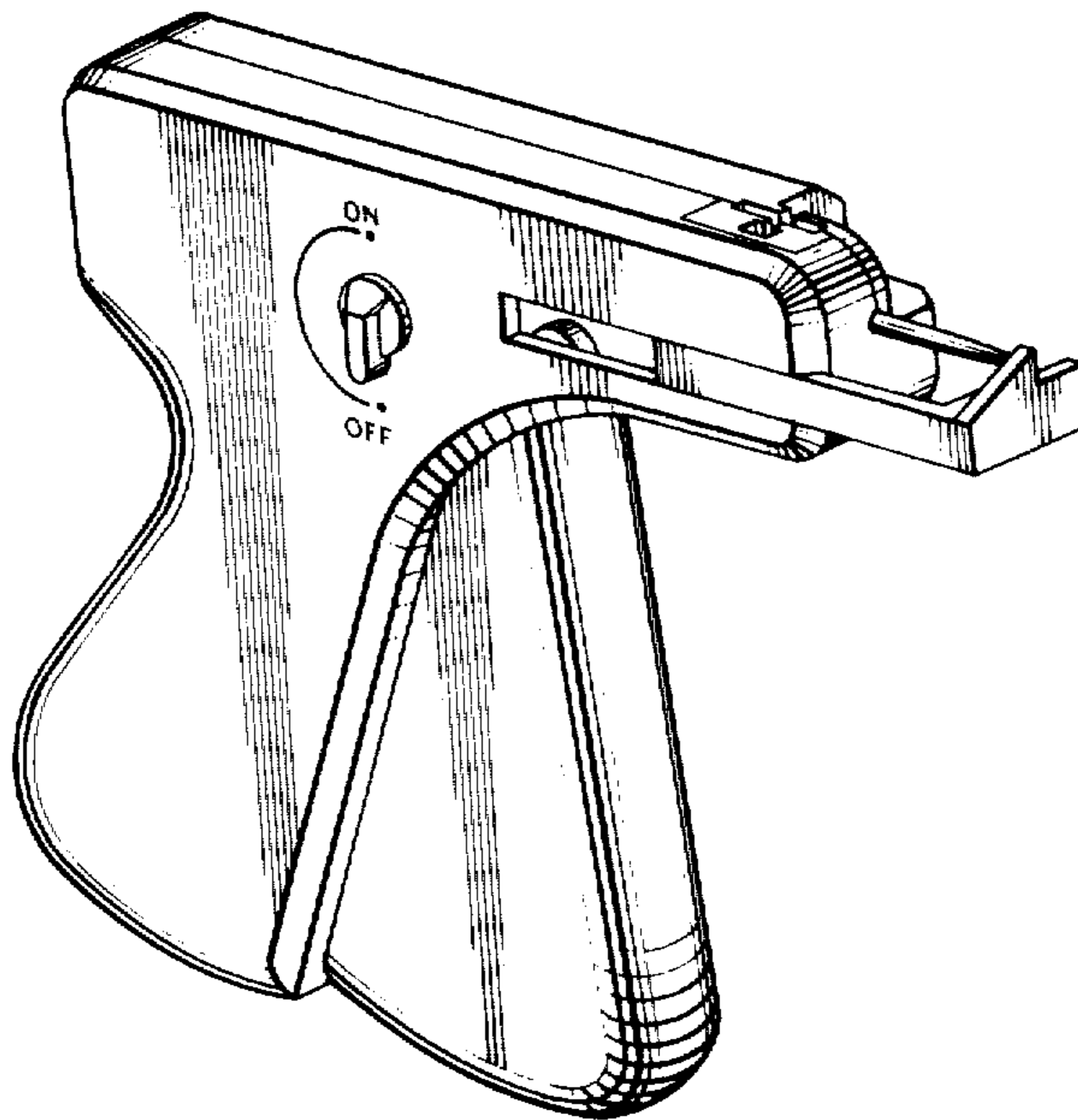


FIG. 1

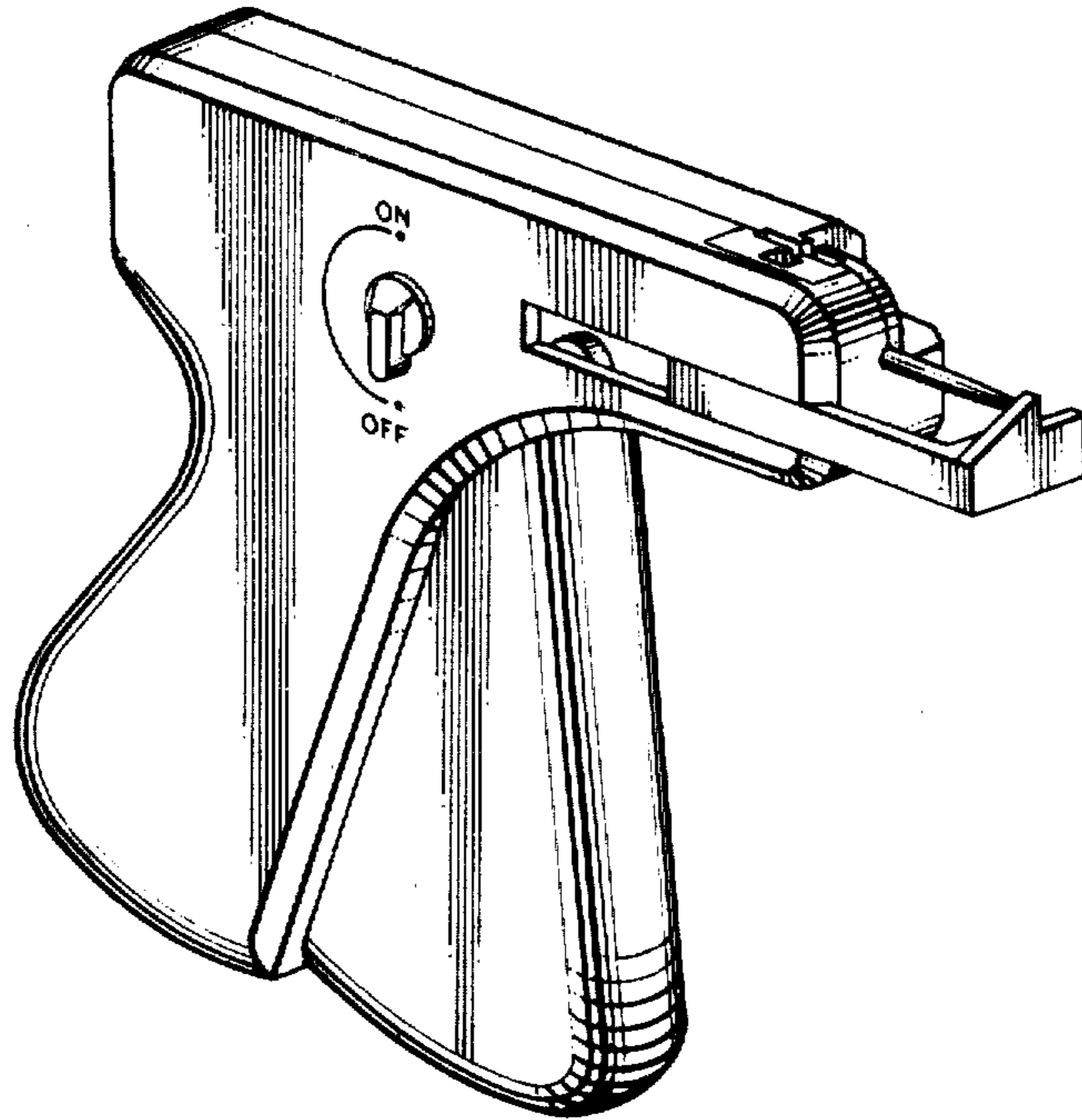


FIG. 8

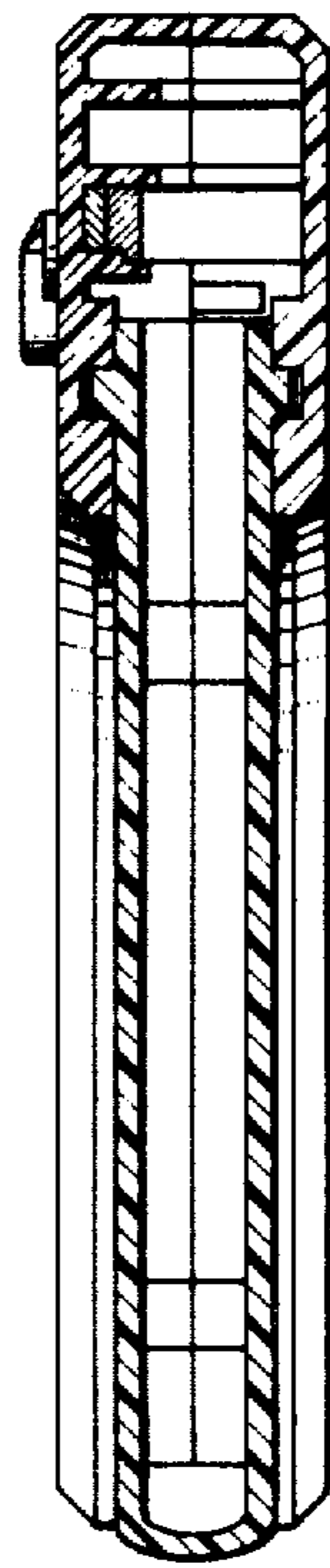


FIG. 3

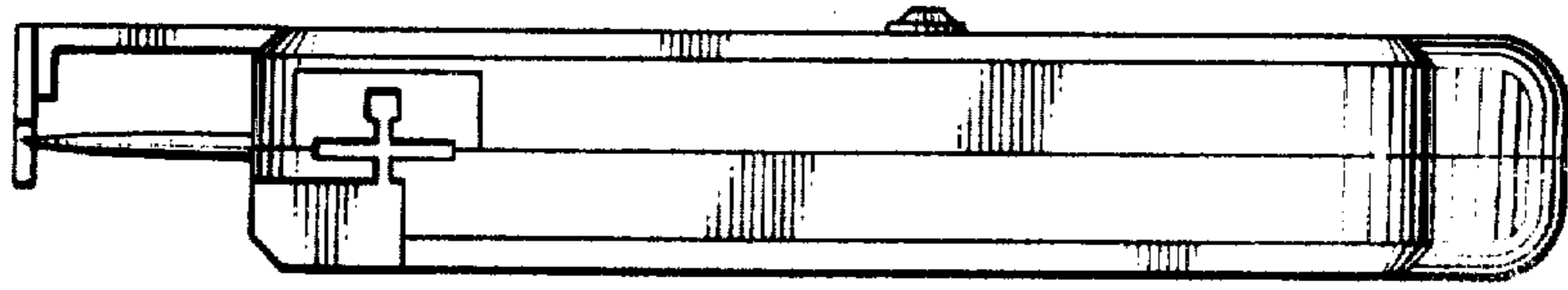


FIG. 2

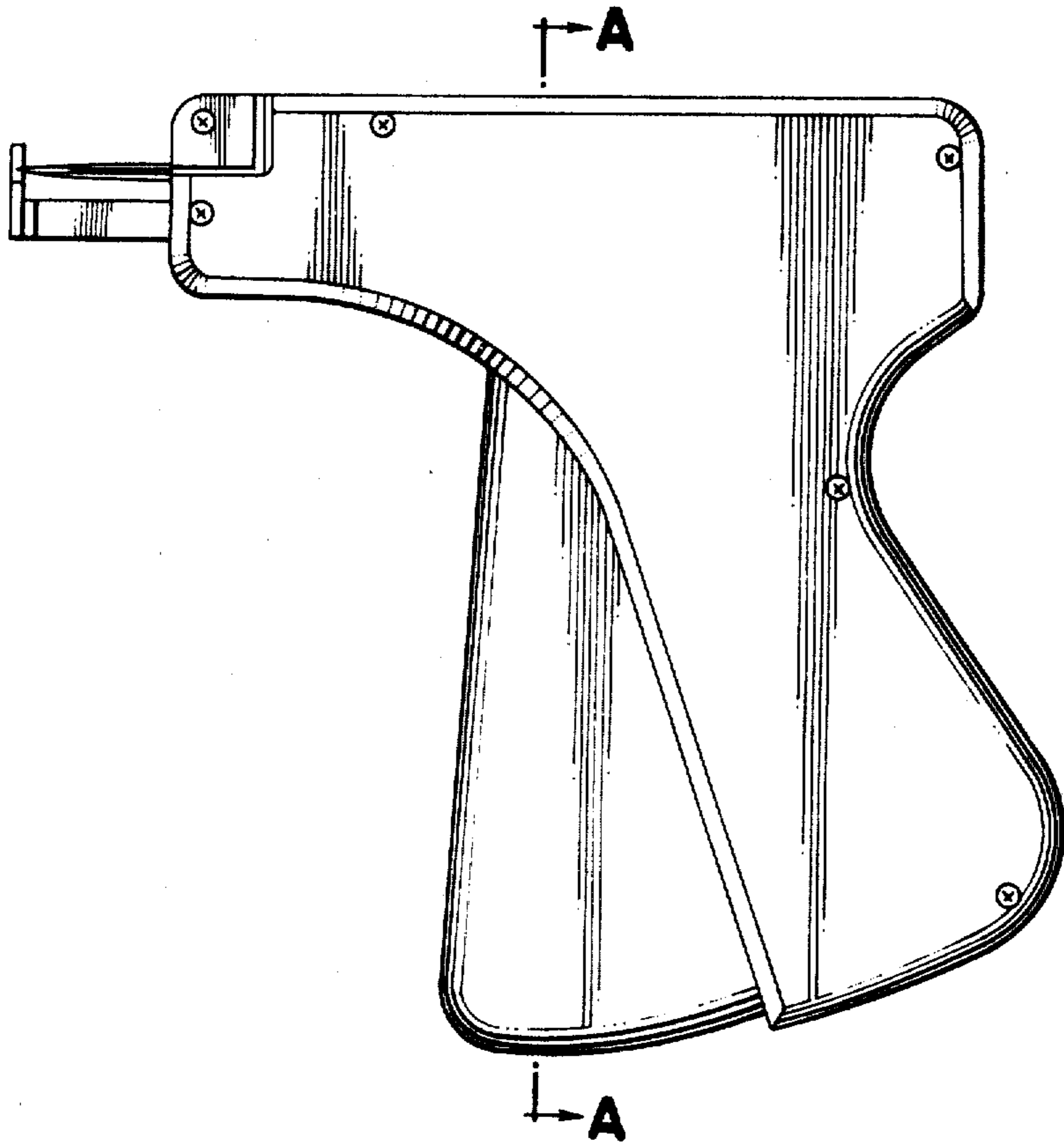


FIG. 4

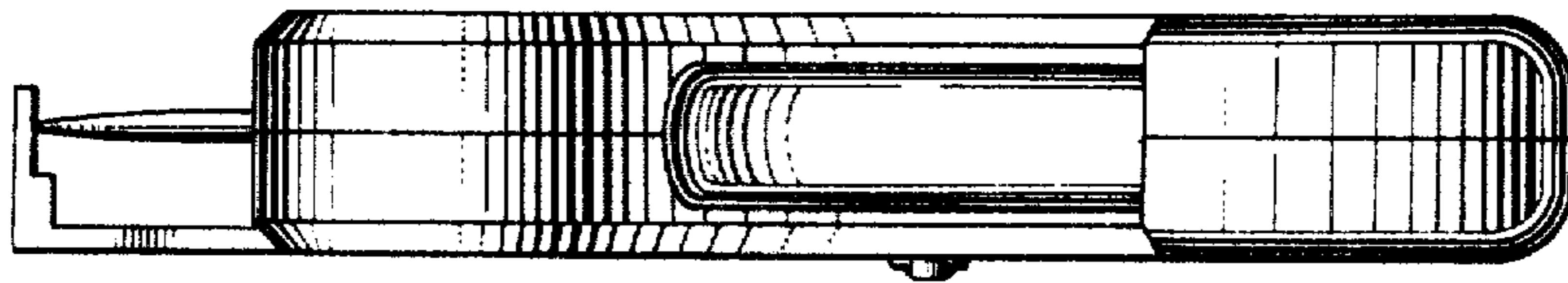


FIG. 5

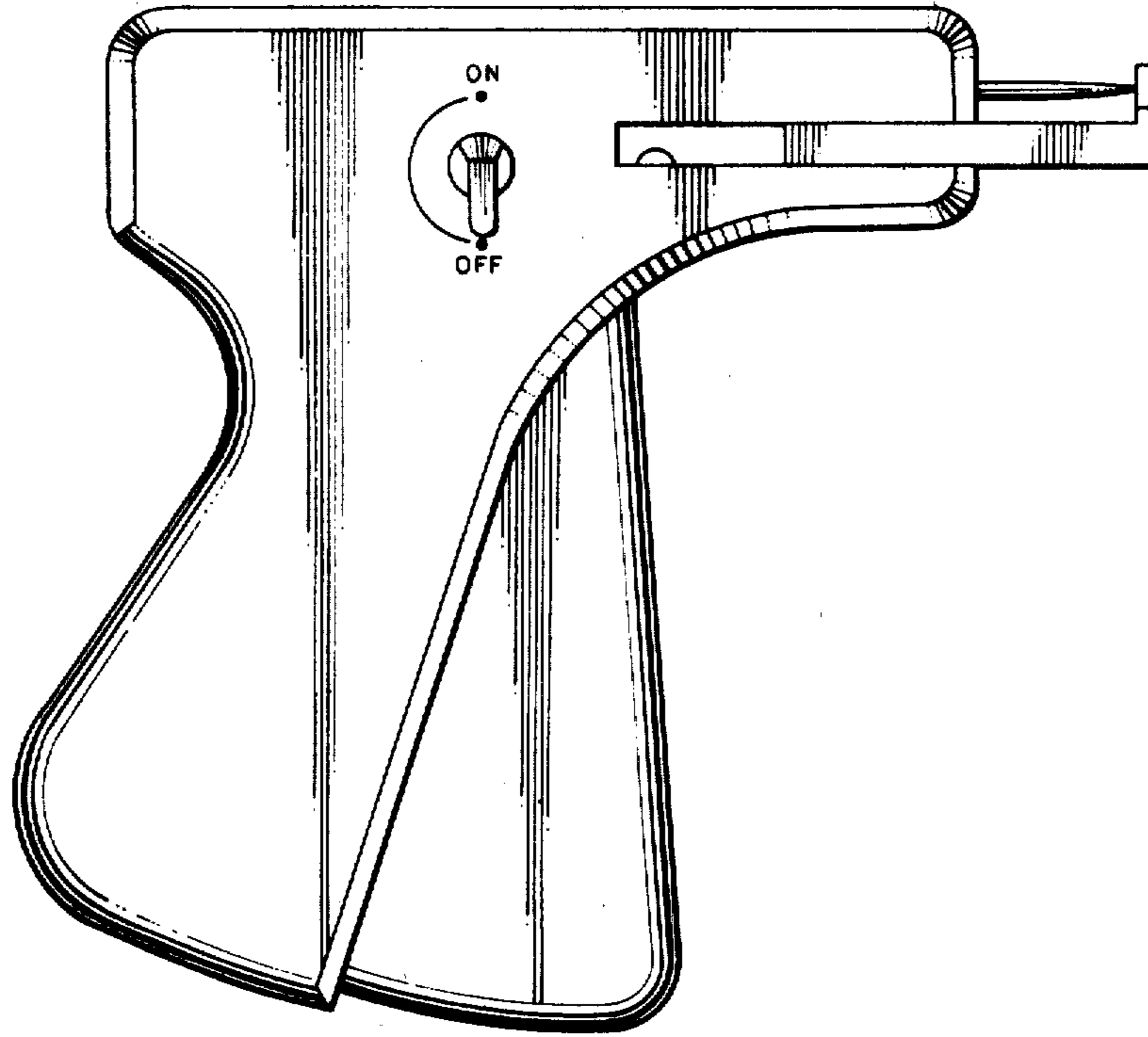


FIG. 6

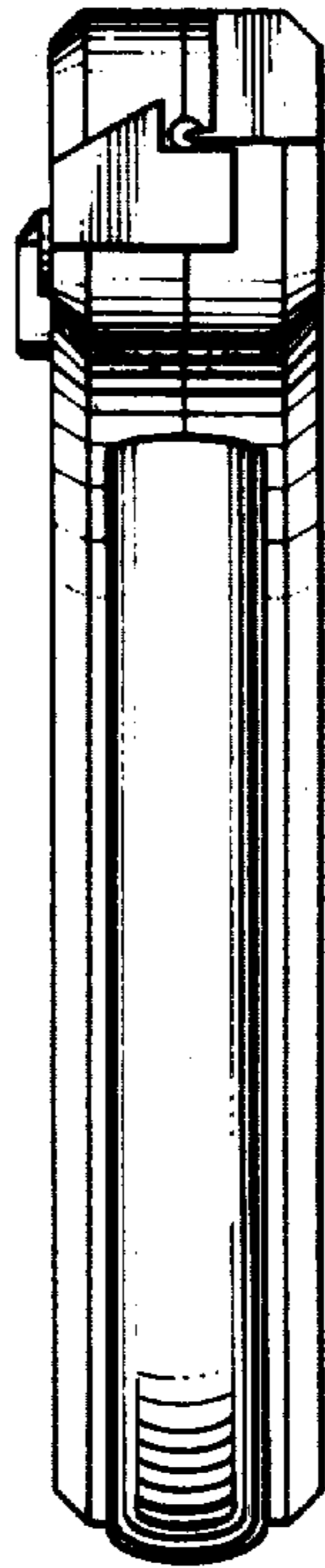


FIG. 7

