

[54] KNIFE HOLDER

[76] Inventor: **Stuart L. Kinkade**, 1390 West Evans, Denver, Colo. 80223

[**] Term: **14 Years**

[21] Appl. No.: **267,088**

[22] Filed: **May 26, 1981**

[51] Int. Cl. **D7-06**

[52] U.S. Cl. **D7/74**

[58] Field of Search **D7/73, 74**

[56] **References Cited**

U.S. PATENT DOCUMENTS

D. 104,380	5/1937	Poglein	D7/73
D. 230,554	3/1974	McNair	D7/74
D. 247,735	4/1978	Gangelhoff et al.	D7/74
D. 247,736	4/1978	Gangelhoff	D7/74
D. 267,142	12/1982	Pollard	D7/74

OTHER PUBLICATIONS

W. Bell & Co., 1978 Cat., ©1977, p. 282, Item P at bottom right, Holster Set by Ekco #505 04E.

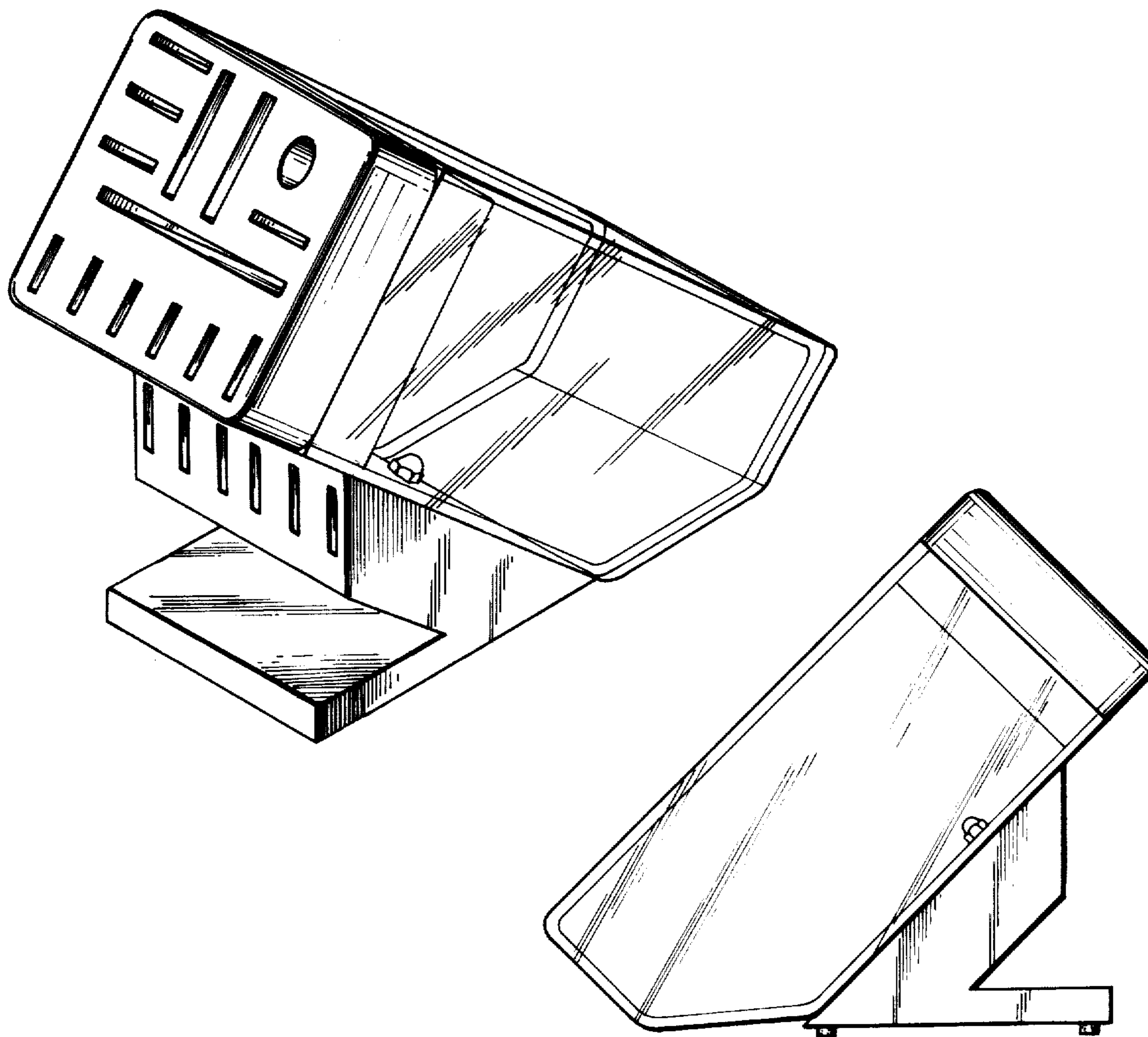
Primary Examiner—Winifred E. Herrmann
Attorney, Agent, or Firm—Davis, Hoxie, Faithfull & Hapgood

[57] **CLAIM**

The ornamental design for a knife holder, as shown and described.

DESCRIPTION

FIG. 1 is a front and right side perspective view of a knife holder showing my new design;
FIG. 2 is a top plan view thereof;
FIG. 3 is a front elevational view thereof;
FIG. 4 is a left side elevational view thereof;
FIG. 5 is a rear elevational view thereof; and
FIG. 6 is a bottom plan view thereof.



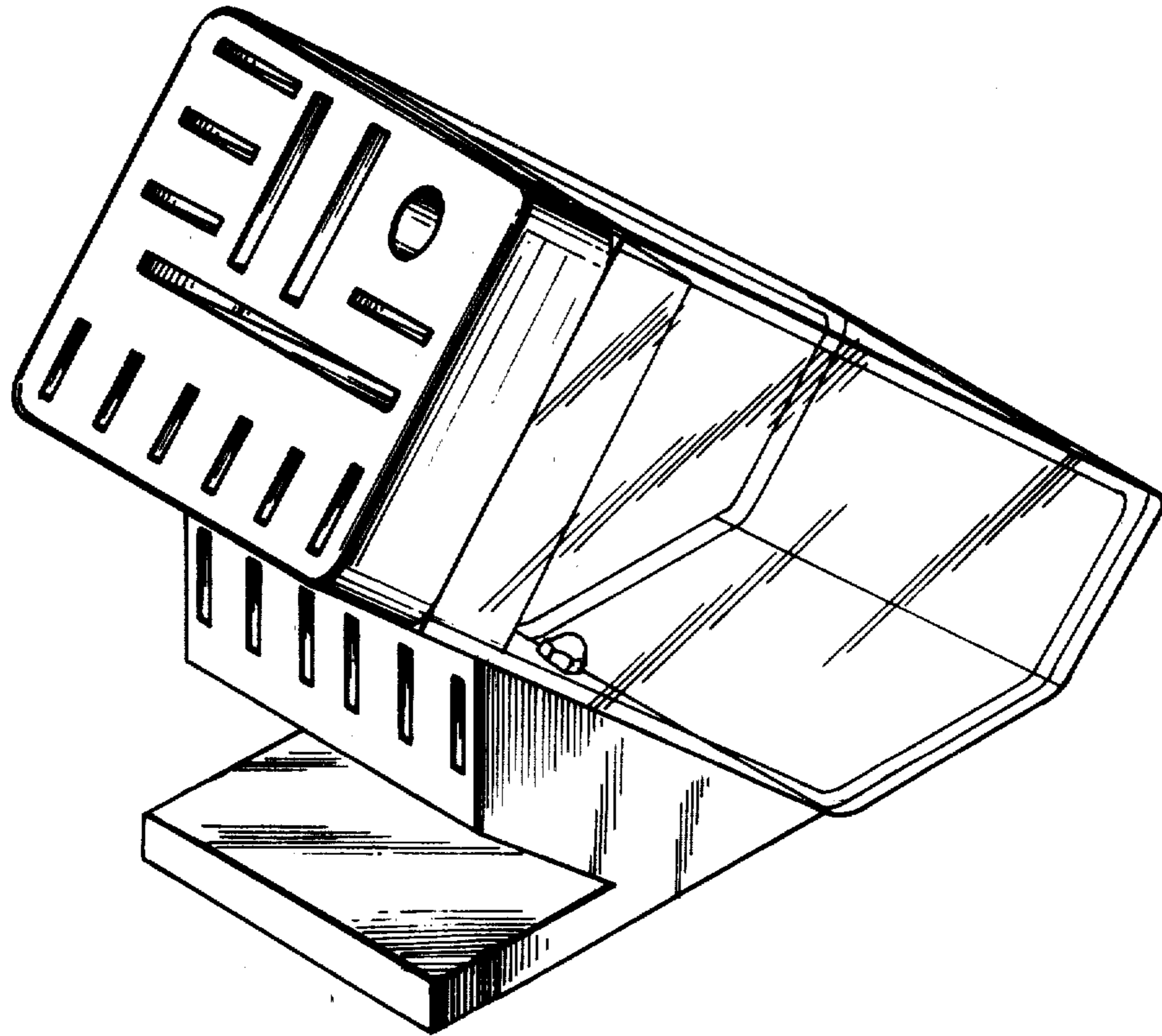


FIG. 1

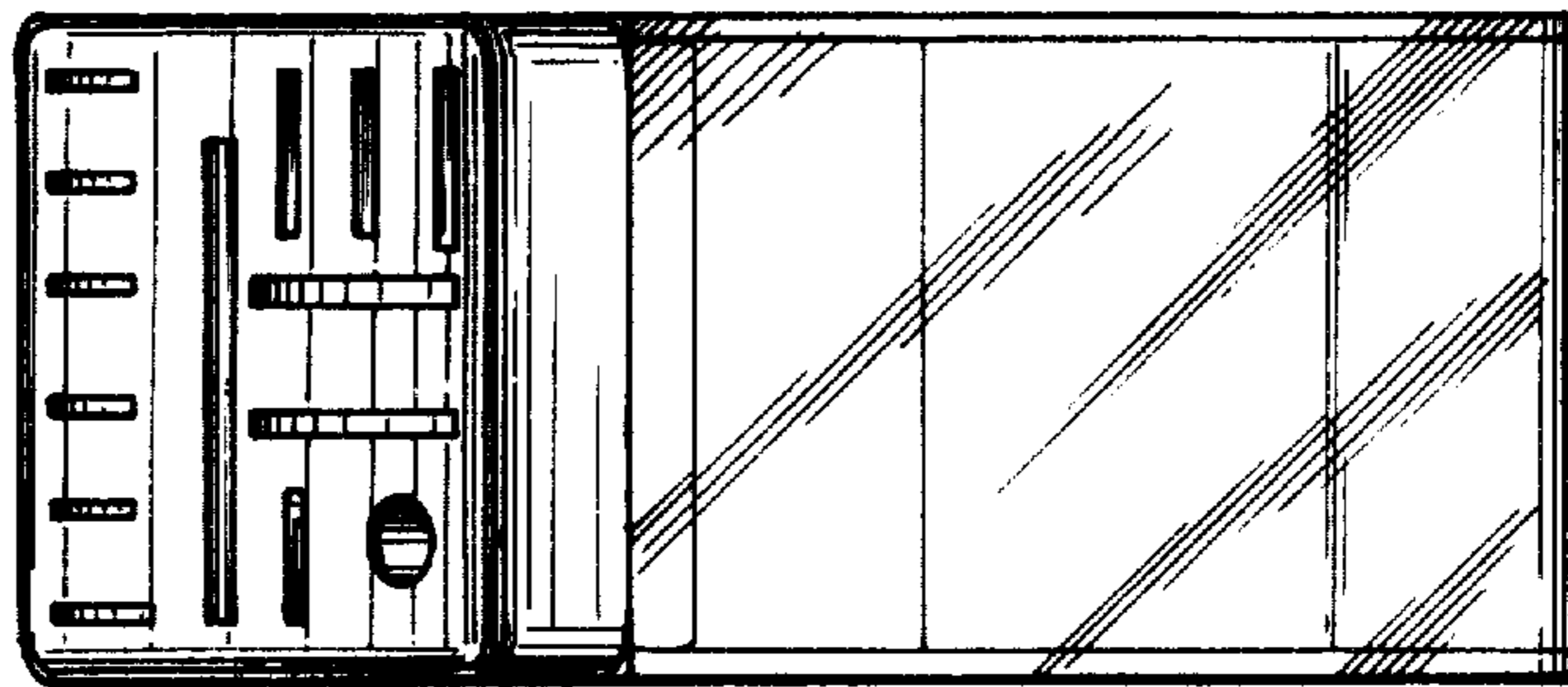


FIG. 2

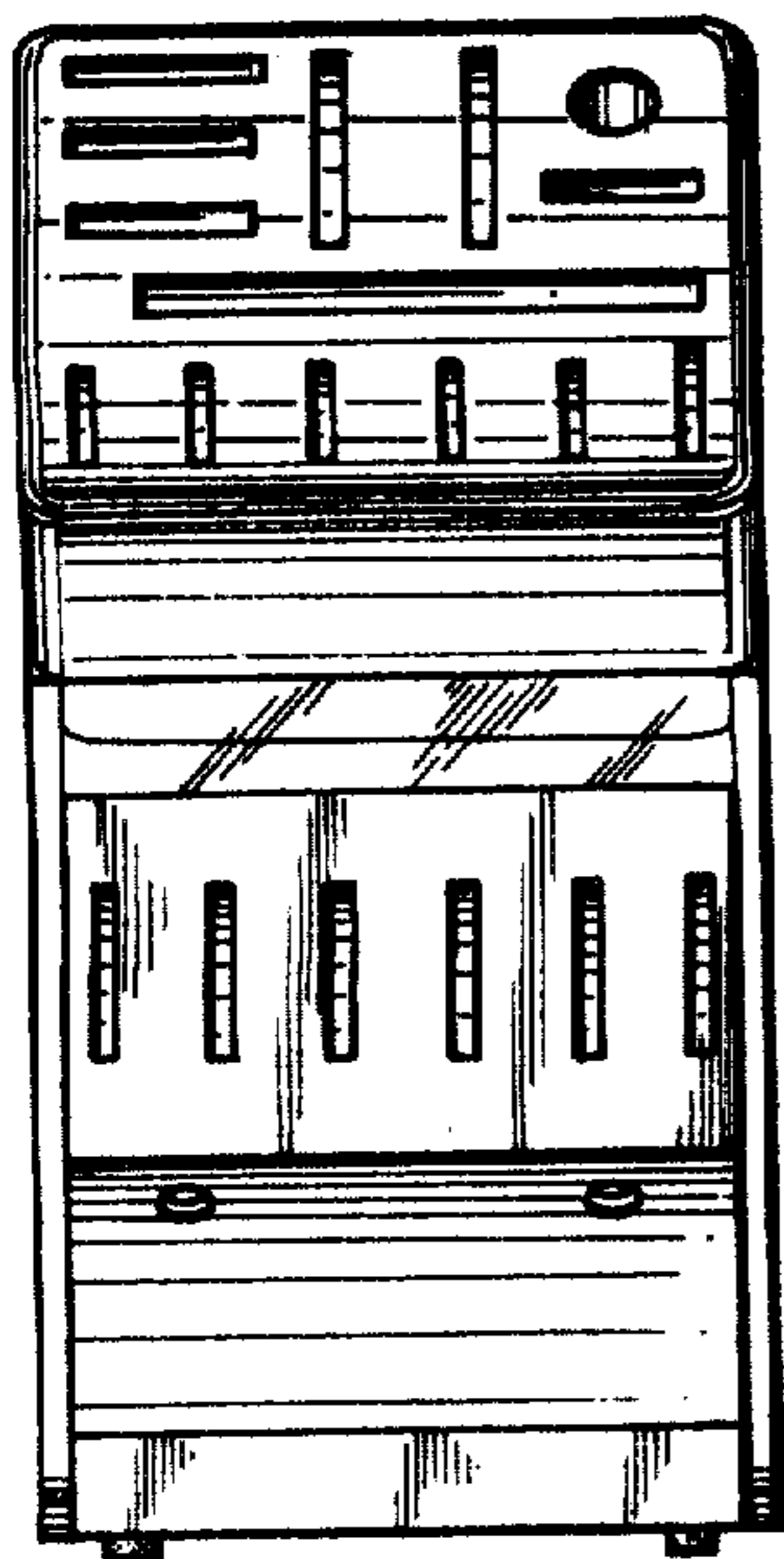


FIG. 3

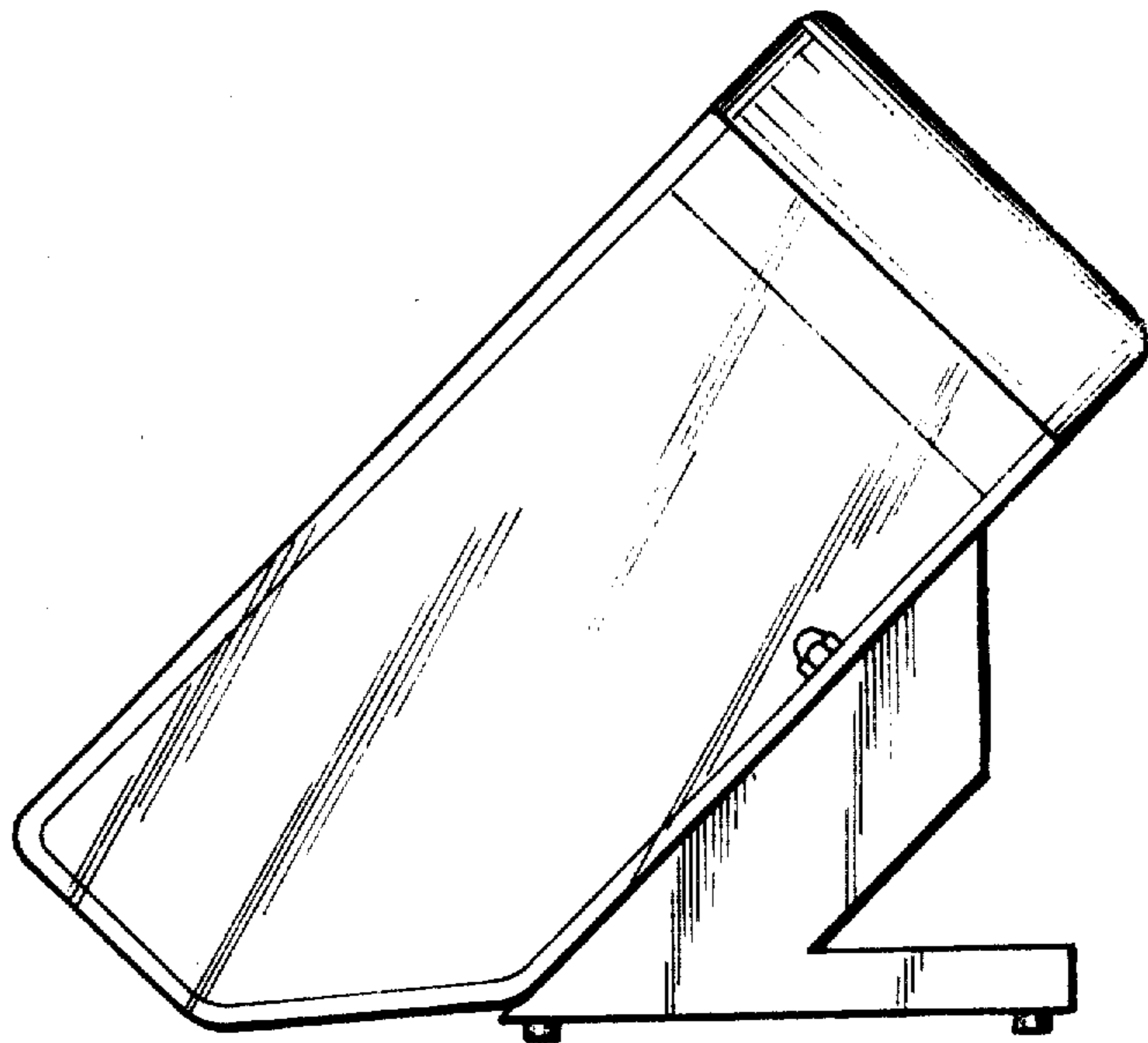


FIG. 4

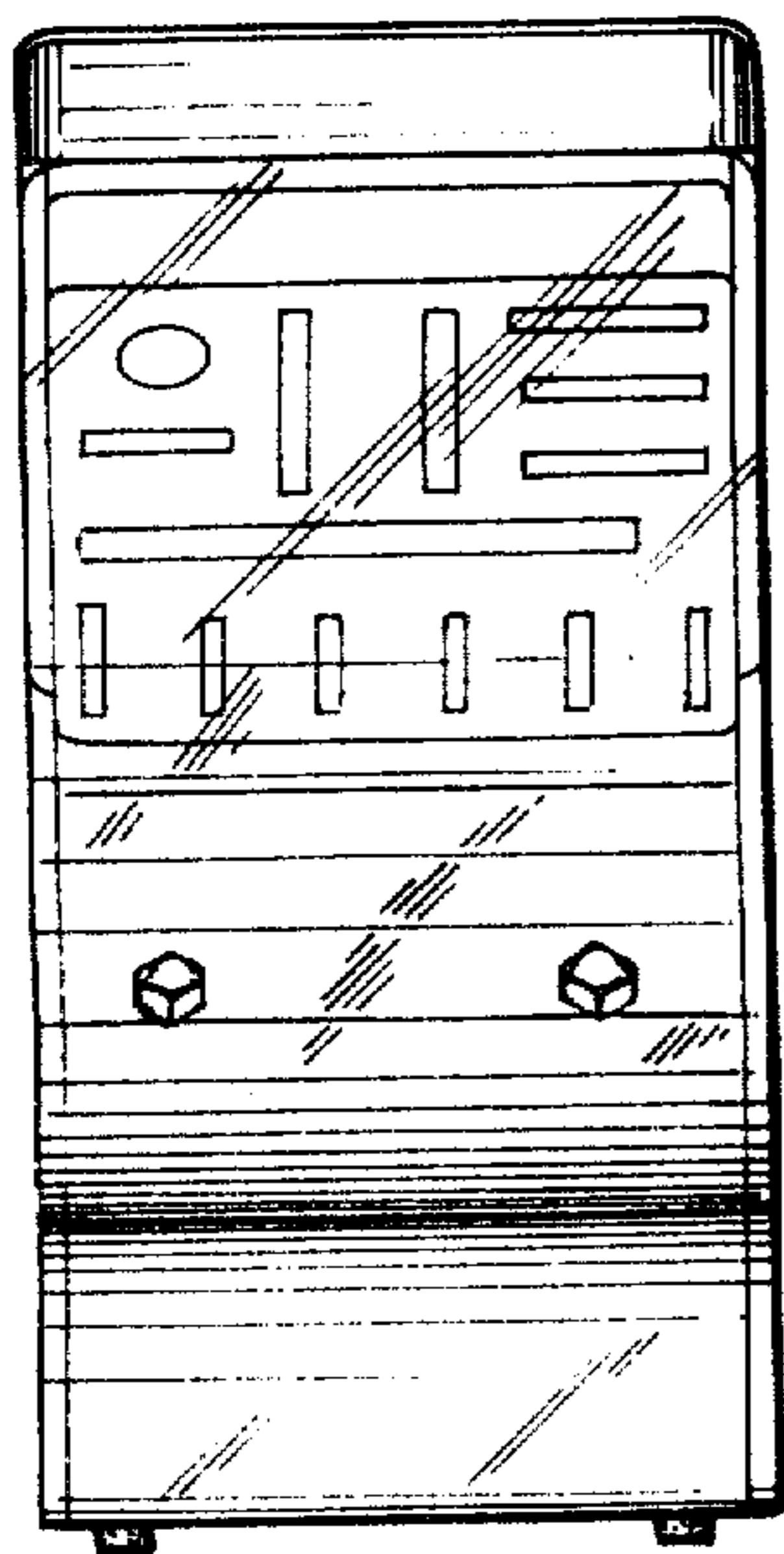


FIG. 5

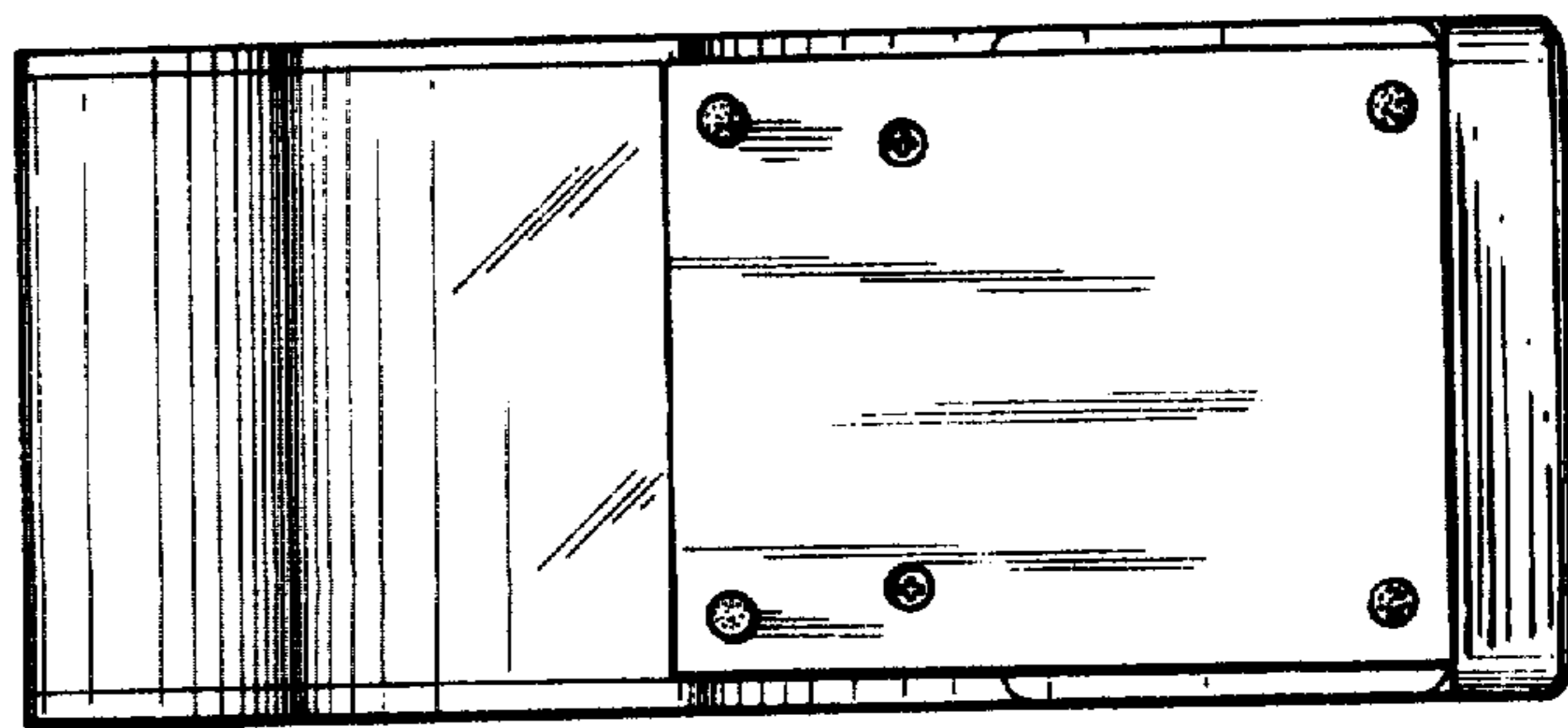


FIG. 6