

[54] TRAY  
[76] Inventor: Arthur Goldstein, School La.,  
Swavesey, Cambridge, England  
[\*\*] Term: 14 Years  
[21] Appl. No.: 266,173  
[22] Filed: May 22, 1981  
[51] Int. Cl. .... D07-99  
[52] U.S. Cl. .... D7/19; D7/37  
[58] Field of Search ..... D7/19, 83, 39, 37, 38,  
D7/21; D34/40, 43, 44; D3/30.1

D. 49,269 6/1916 Kohr ..... D7/19  
D. 55,163 5/1920 Gaertner ..... D7/19  
D. 153,144 3/1949 Gargaro et al. .... D7/37

Primary Examiner—Winifred E. Herrmann  
Attorney, Agent, or Firm—McAulay, Fields, Fisher,  
Goldstein & Nissen

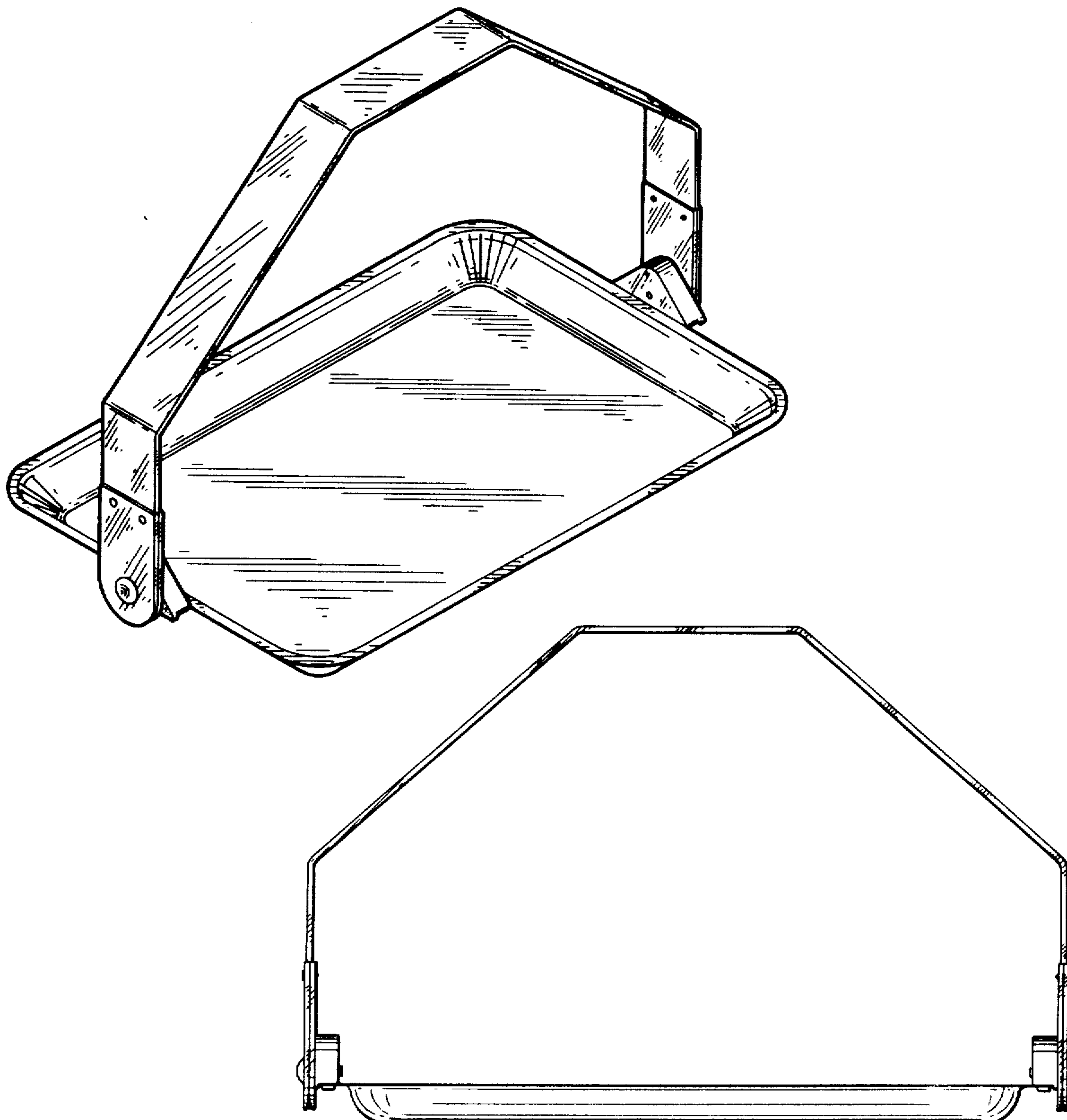
[57] CLAIM

The ornamental design for a tray, as shown and described.

DESCRIPTION

FIG. 1 is a perspective view of a tray, showing my new design;  
FIG. 2 is a front elevational view thereof;  
FIG. 3 is a top plan view thereof;  
FIG. 4 is a left side elevational view thereof, the right side being identical thereto; and  
FIG. 5 is a bottom plan view thereof.

[56] References Cited  
U.S. PATENT DOCUMENTS  
D. 3,647 8/1869 Parkin ..... D7/83  
D. 44,128 6/1913 Henckel ..... D7/38 X



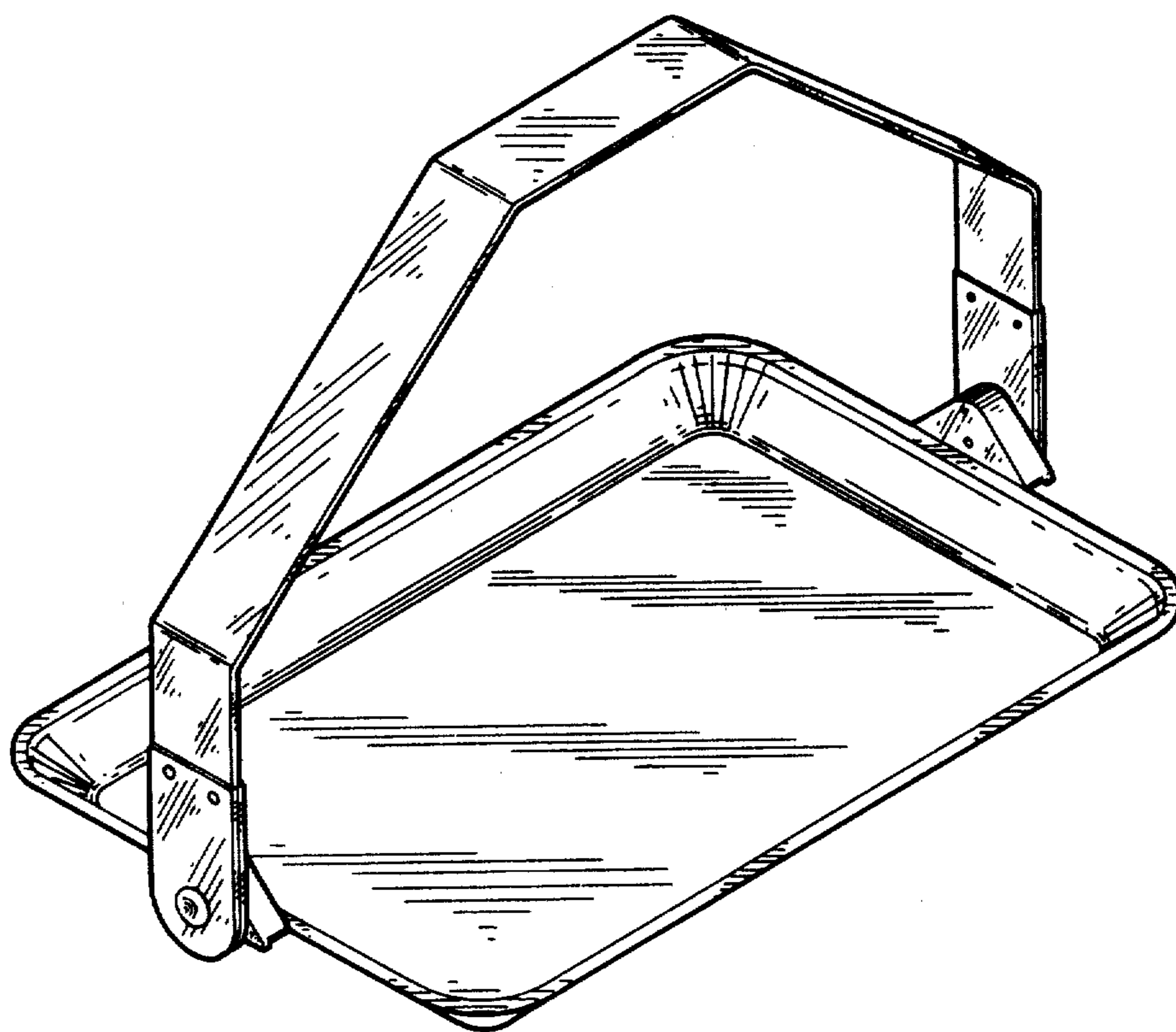


Fig. 1

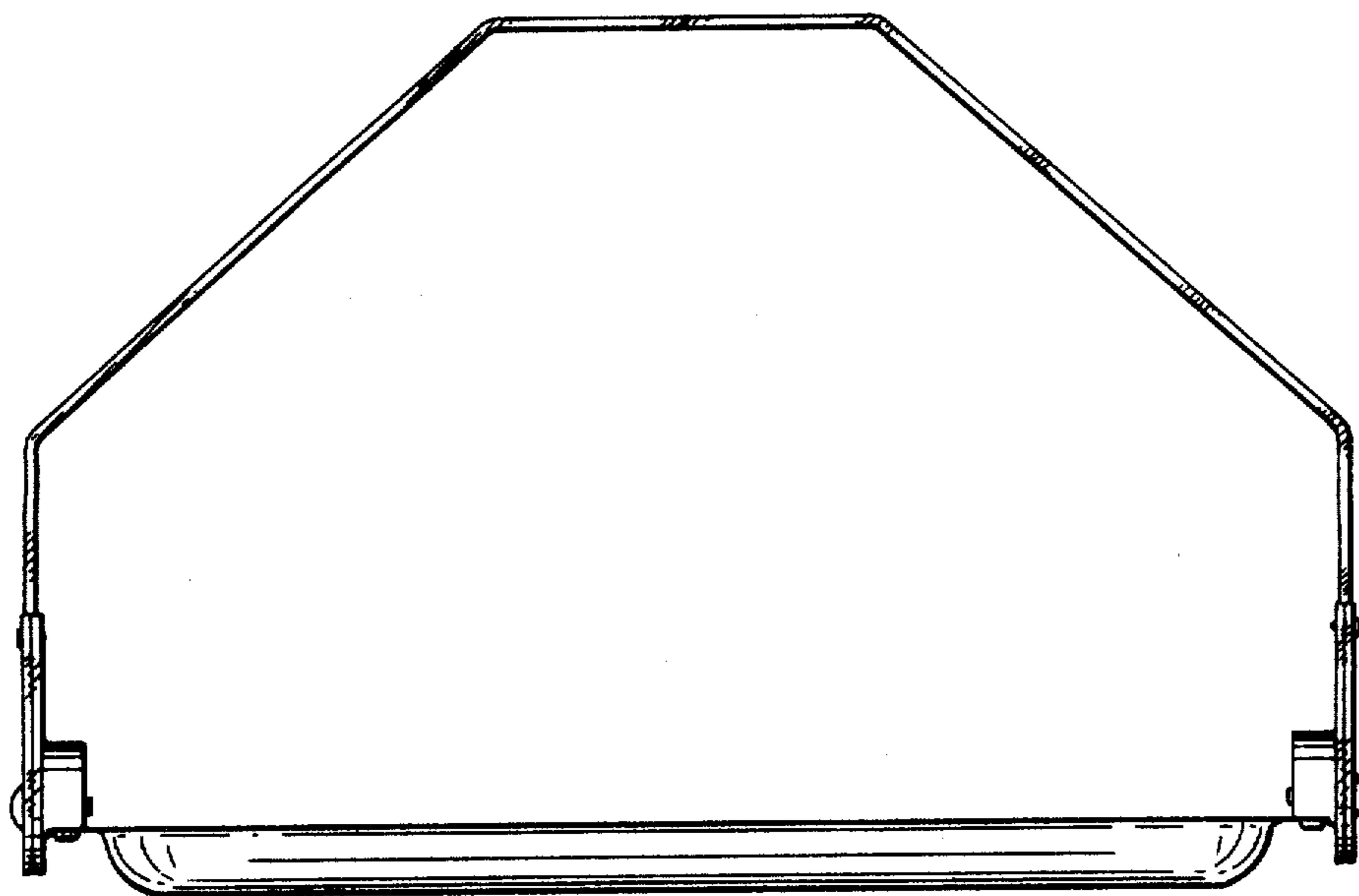


Fig. 2

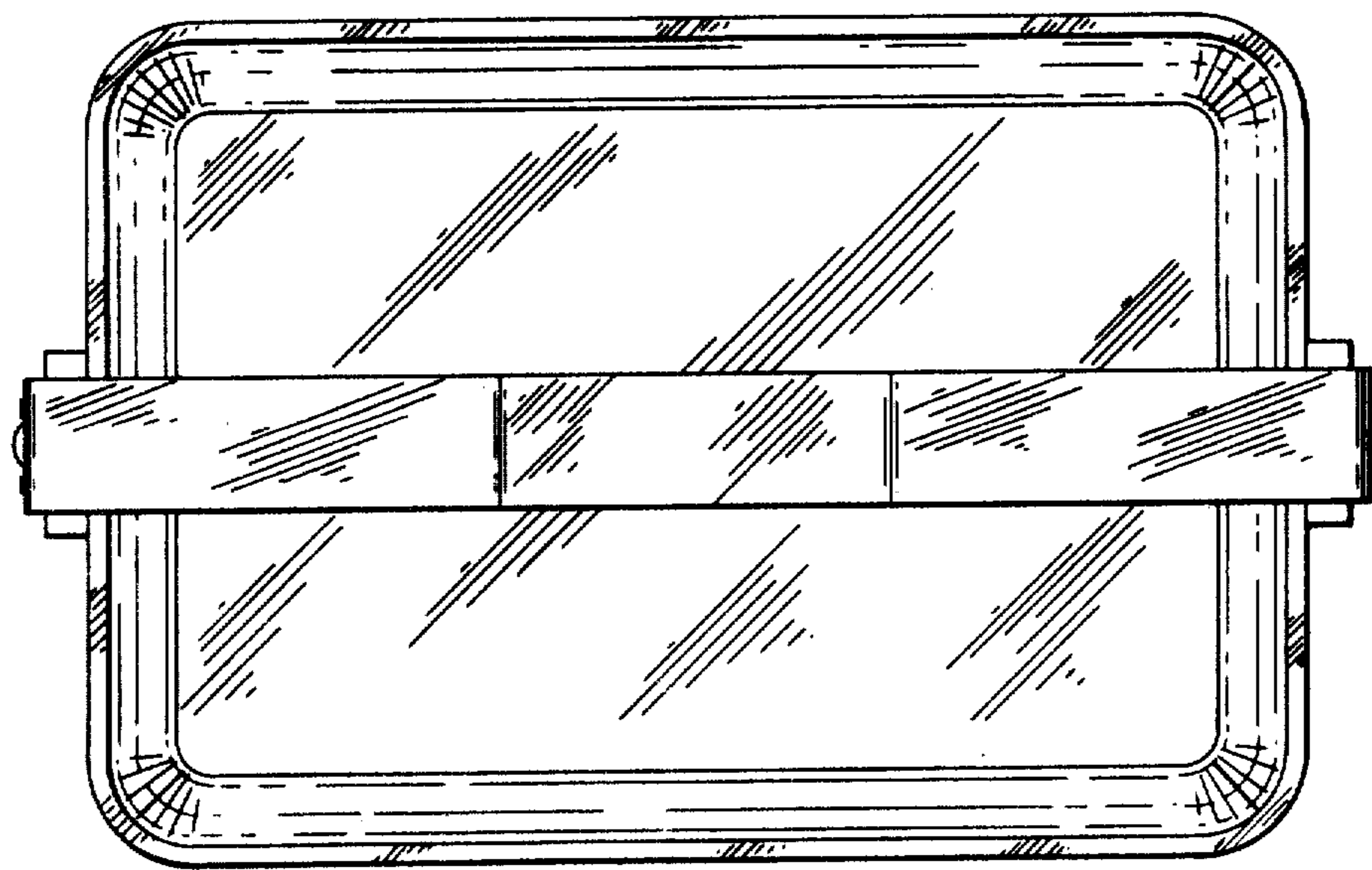


Fig. 3

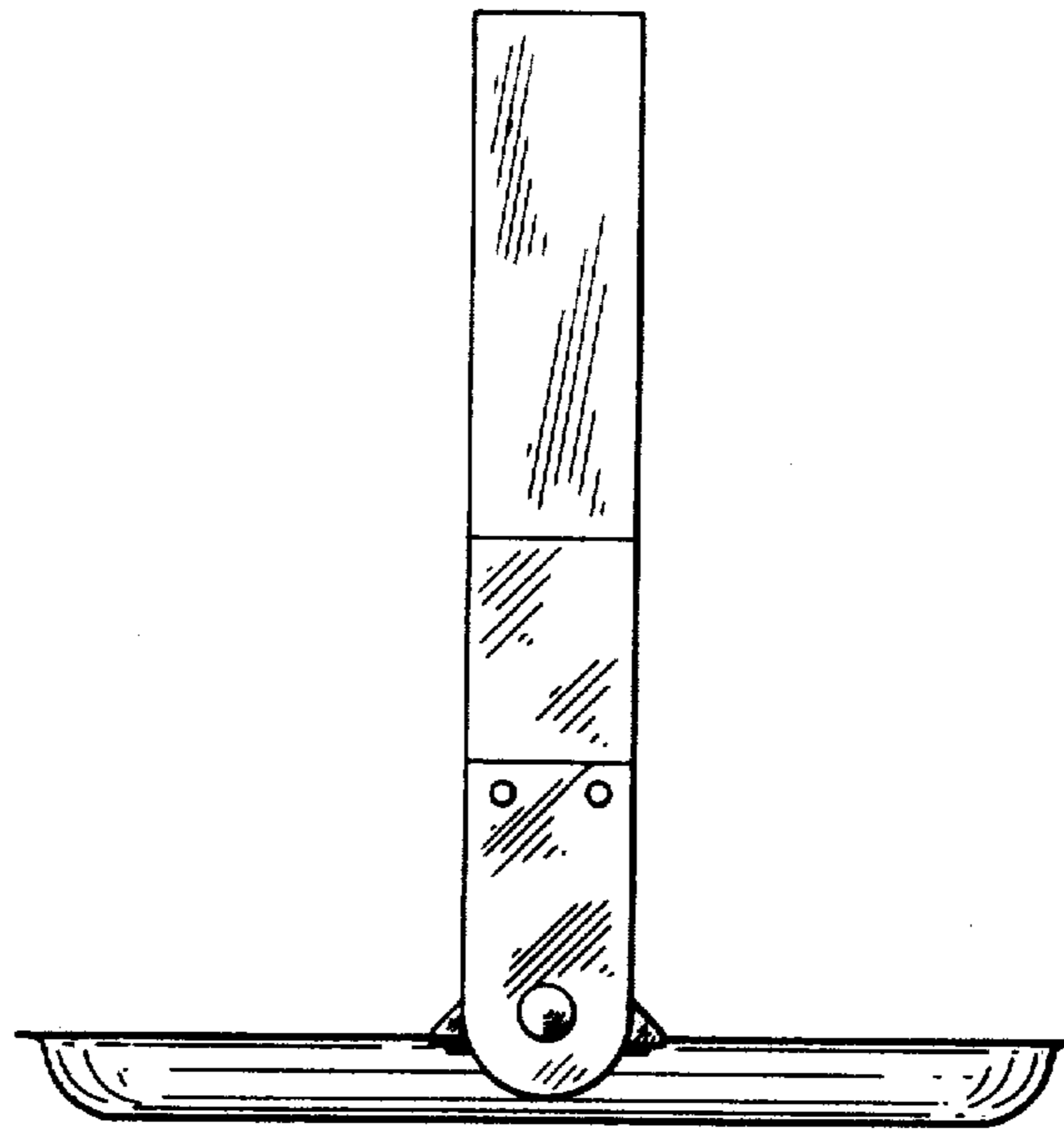


Fig. 4

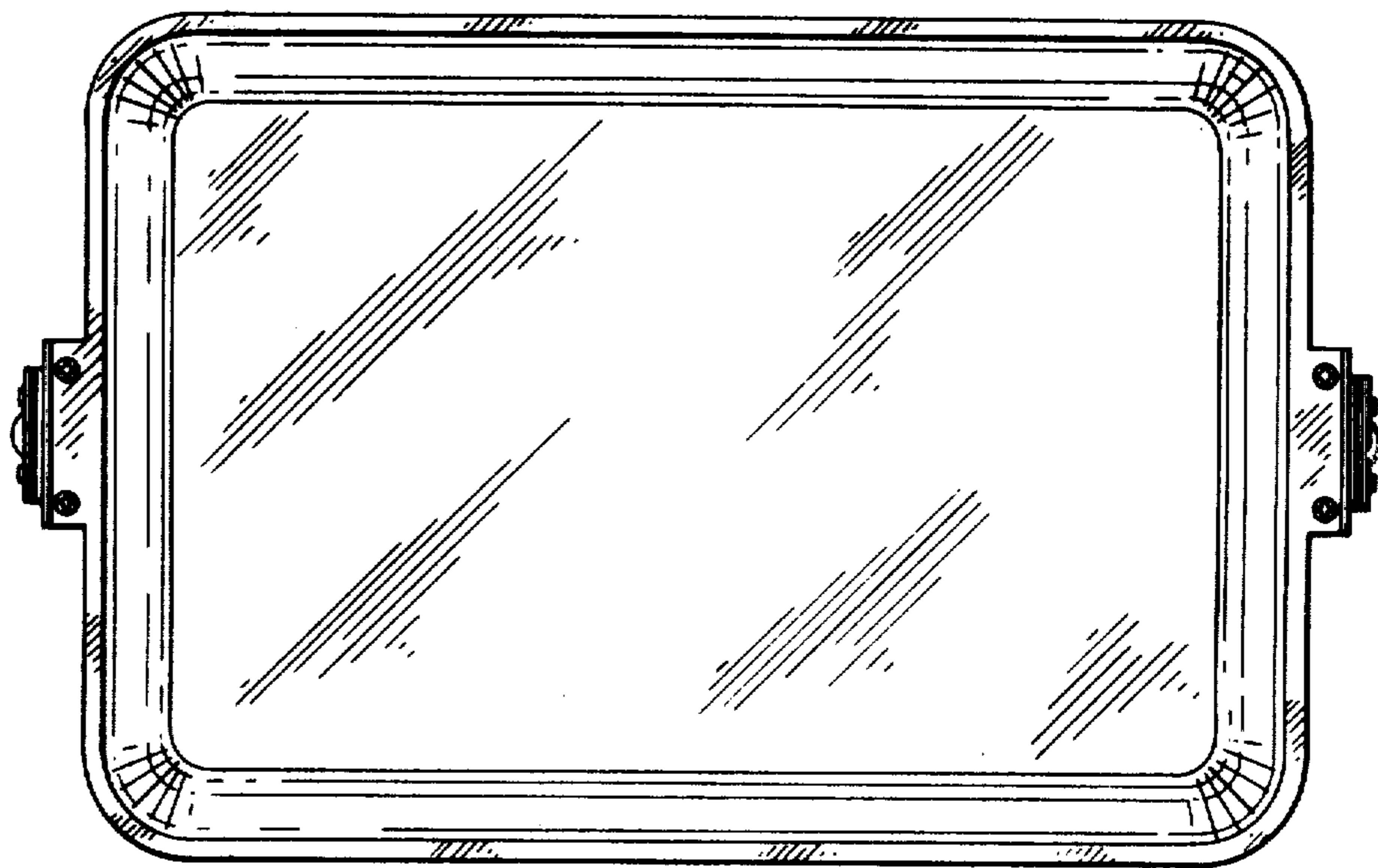


Fig. 5