

[54] FOOD CONTAINER/HOLDER

[76] Inventor: John C. Hollenbeck, c/o Riede, Rosenberg, McCale & Cahili, 1000 Fourth St., San Rafael, Calif. 94901

[**] Term: 14 Years

[21] Appl. No.: 250,114

[22] Filed: Apr. 2, 1981

[51] Int. Cl. D07-01

[52] U.S. Cl. D7/16; D9/420; D9/429

[58] Field of Search D7/78, 79, 16, 18, 21; D9/420, 425, 426, 428, 429; 206/525; 229/2.5; 220/339

[56] References Cited

U.S. PATENT DOCUMENTS

- D. 218,155 7/1970 Britt D9/426 X
- D. 219,958 2/1971 Clark D9/428

- D. 253,331 11/1979 Olschewski D7/16 X
- D. 255,309 6/1980 Colato et al. D7/16
- D. 259,543 6/1981 Commisso et al. D9/426
- D. 263,684 4/1982 Davis D9/426
- 3,148,103 9/1964 Gallagher 220/339 X
- 4,273,249 6/1981 Florian 220/339 X

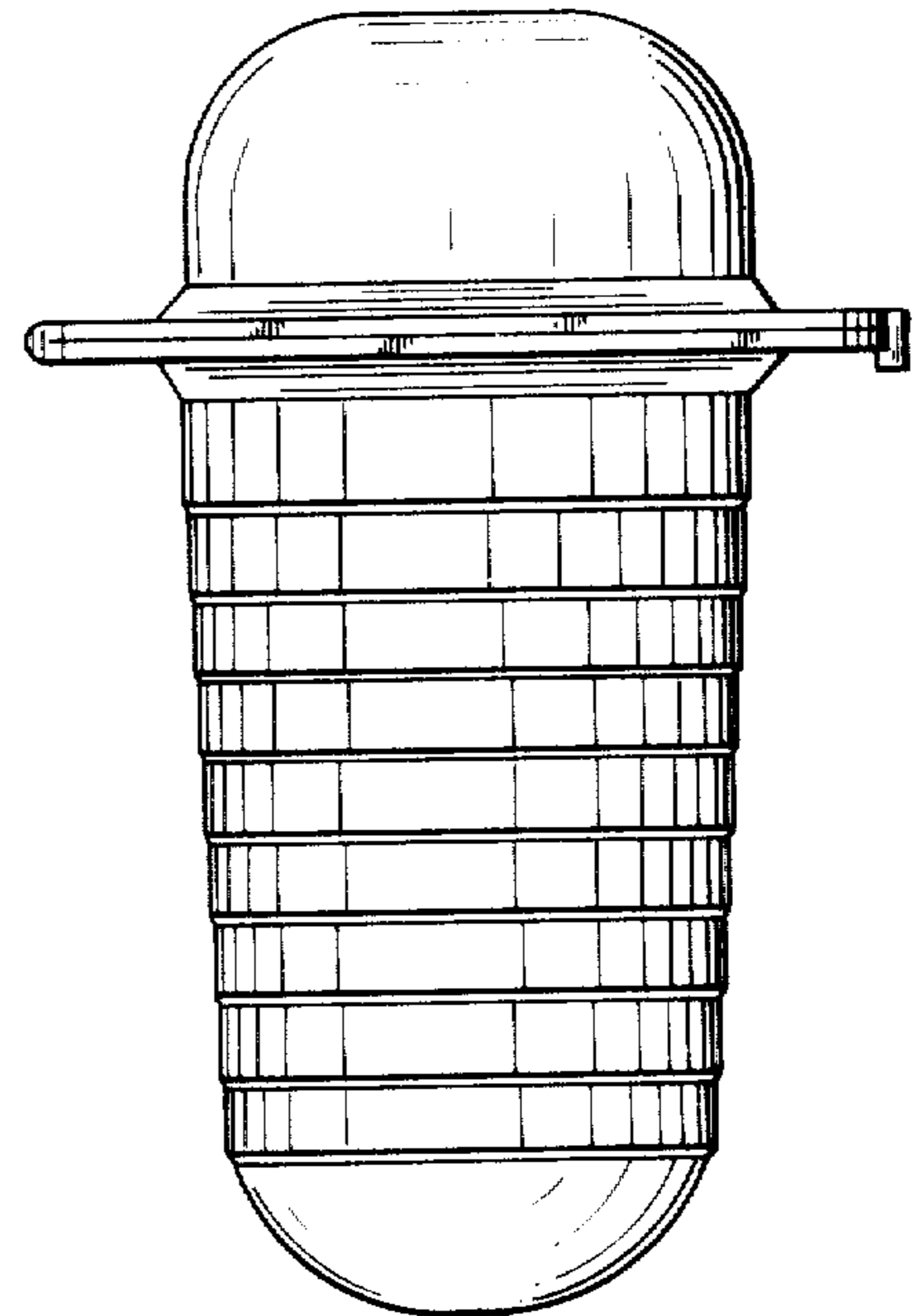
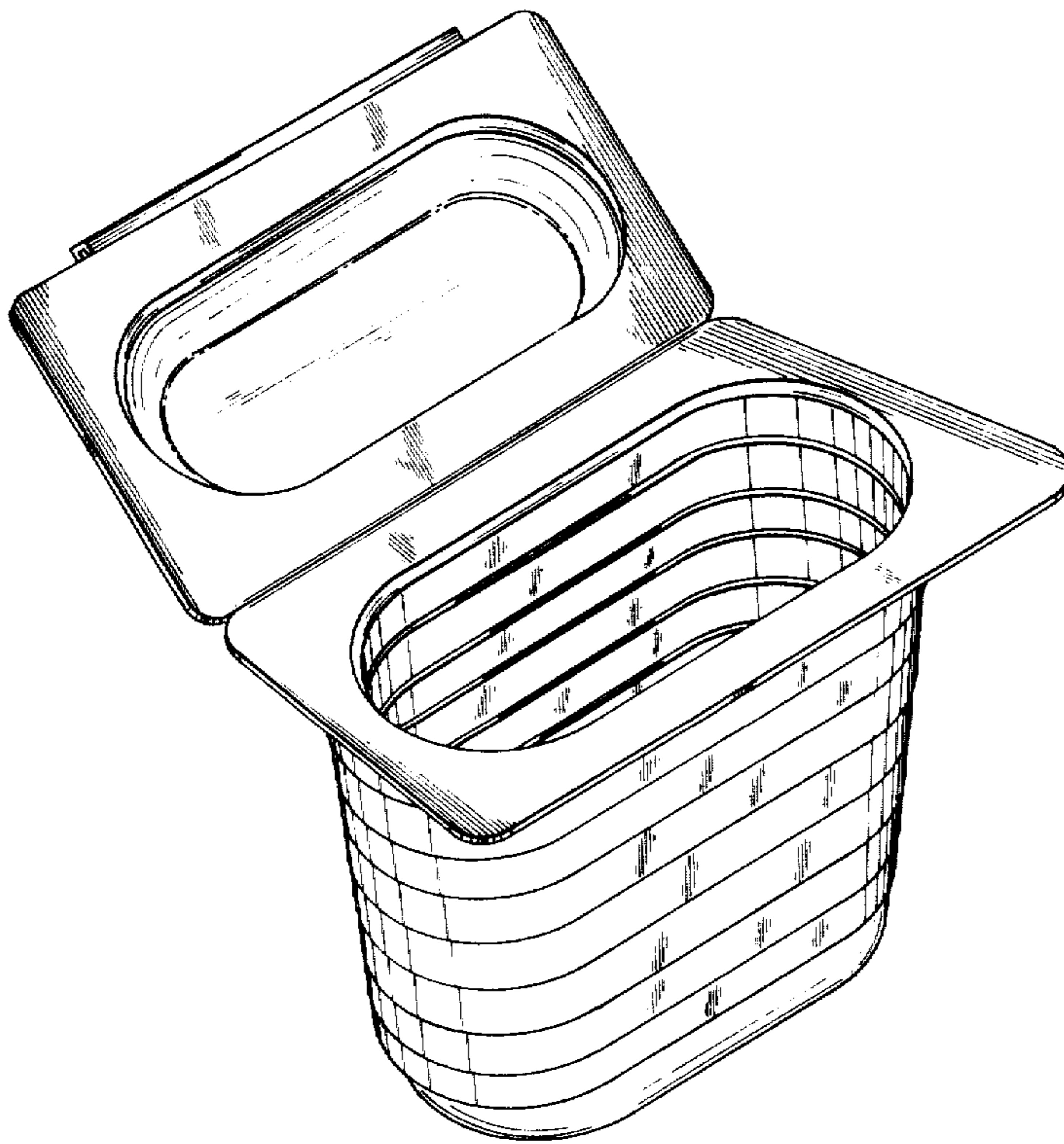
Primary Examiner—Winifred E. Herrmann
Attorney, Agent, or Firm—Wells & Wells

[57] CLAIM

The ornamental design for a food container/holder, as shown and described.

DESCRIPTION

FIG. 1 is a right side top perspective view of a food container/holder showing my new design in an open condition;
 FIG. 2 is a front elevational view thereof in a closed condition;
 FIG. 3 is a top plan view thereof;
 FIG. 4 is a right side elevational view thereof; and
 FIG. 5 is a bottom plan view thereof.



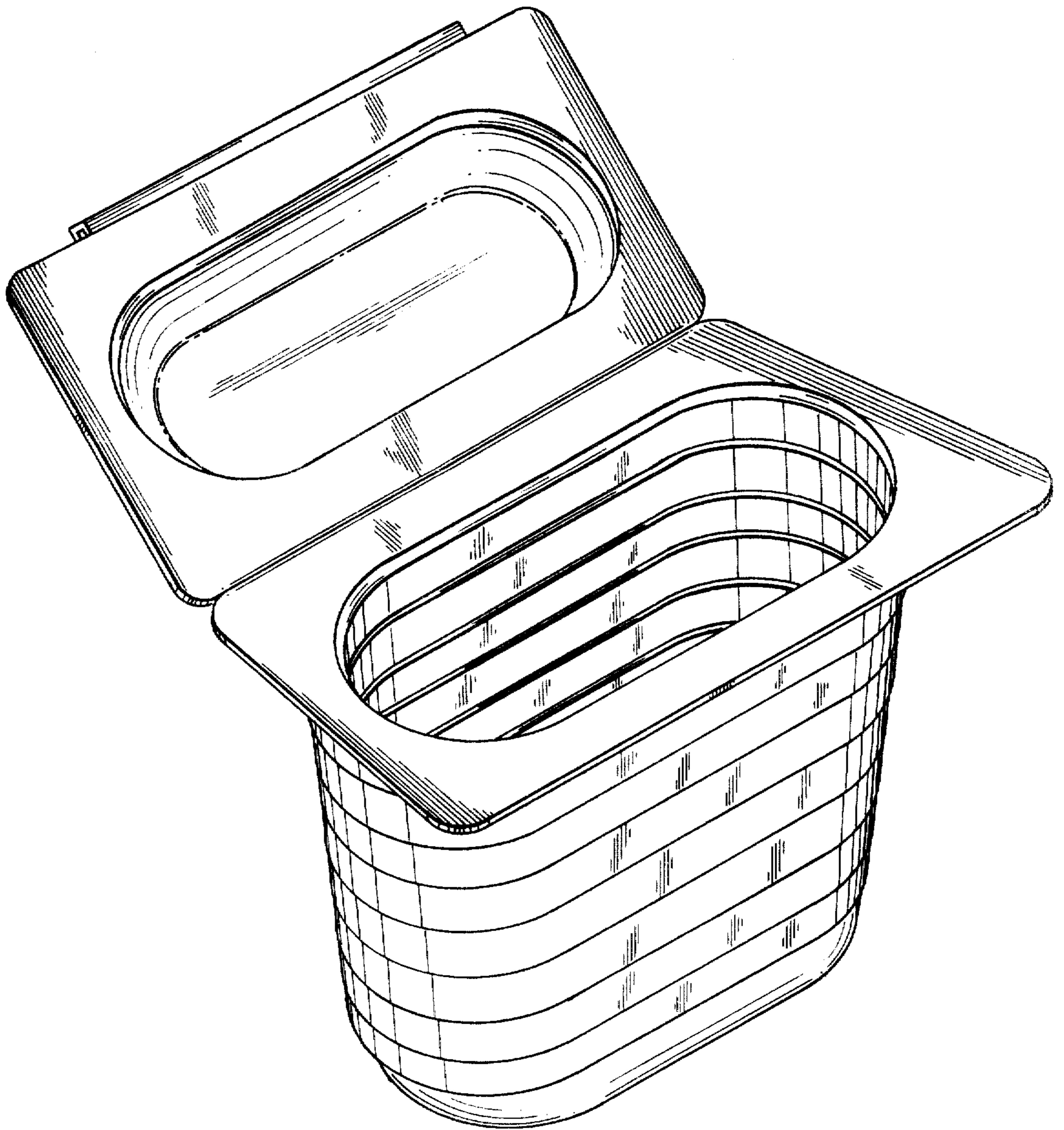


FIG. 1

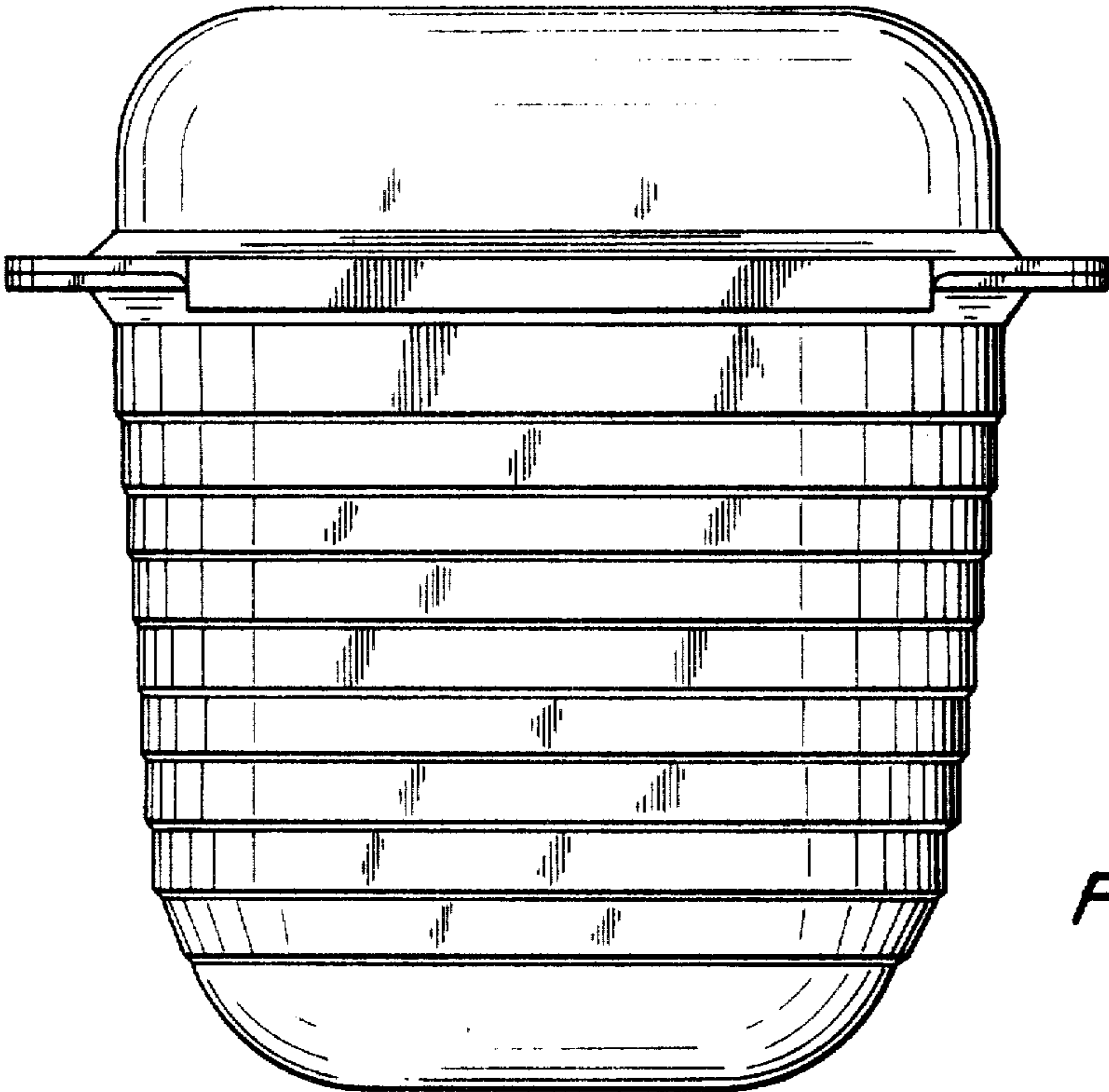


FIG. 2

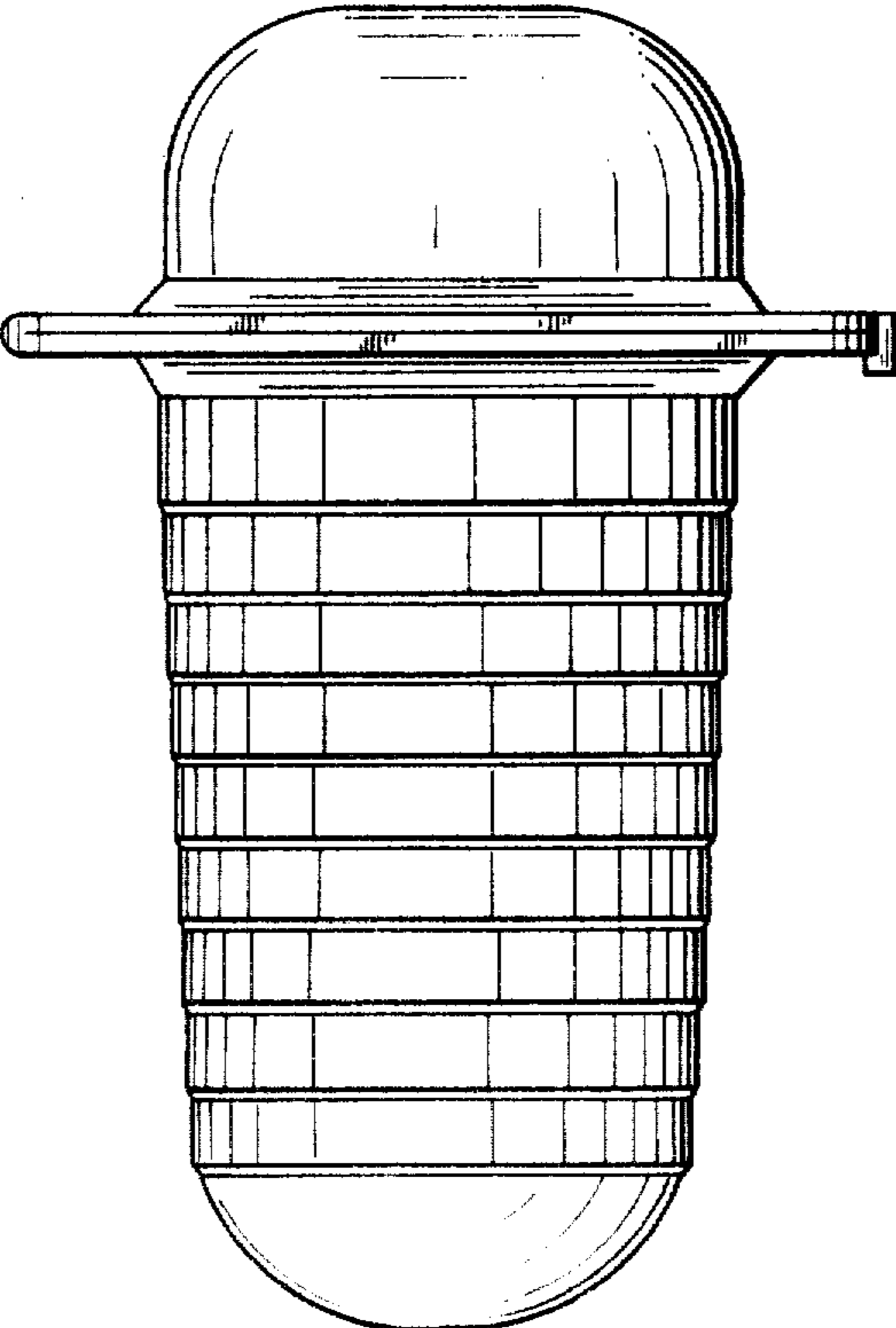


FIG. 4

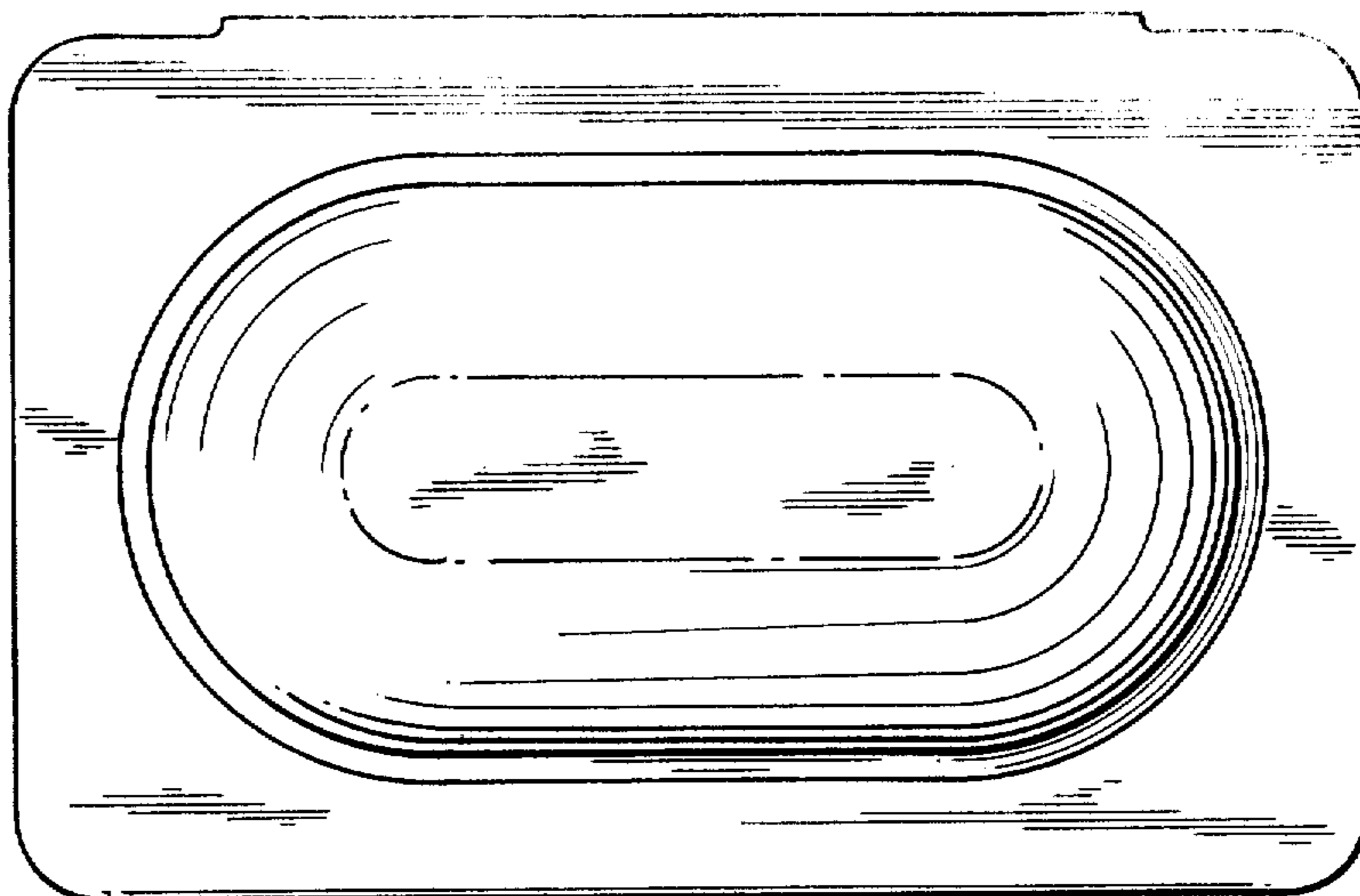


FIG. 3

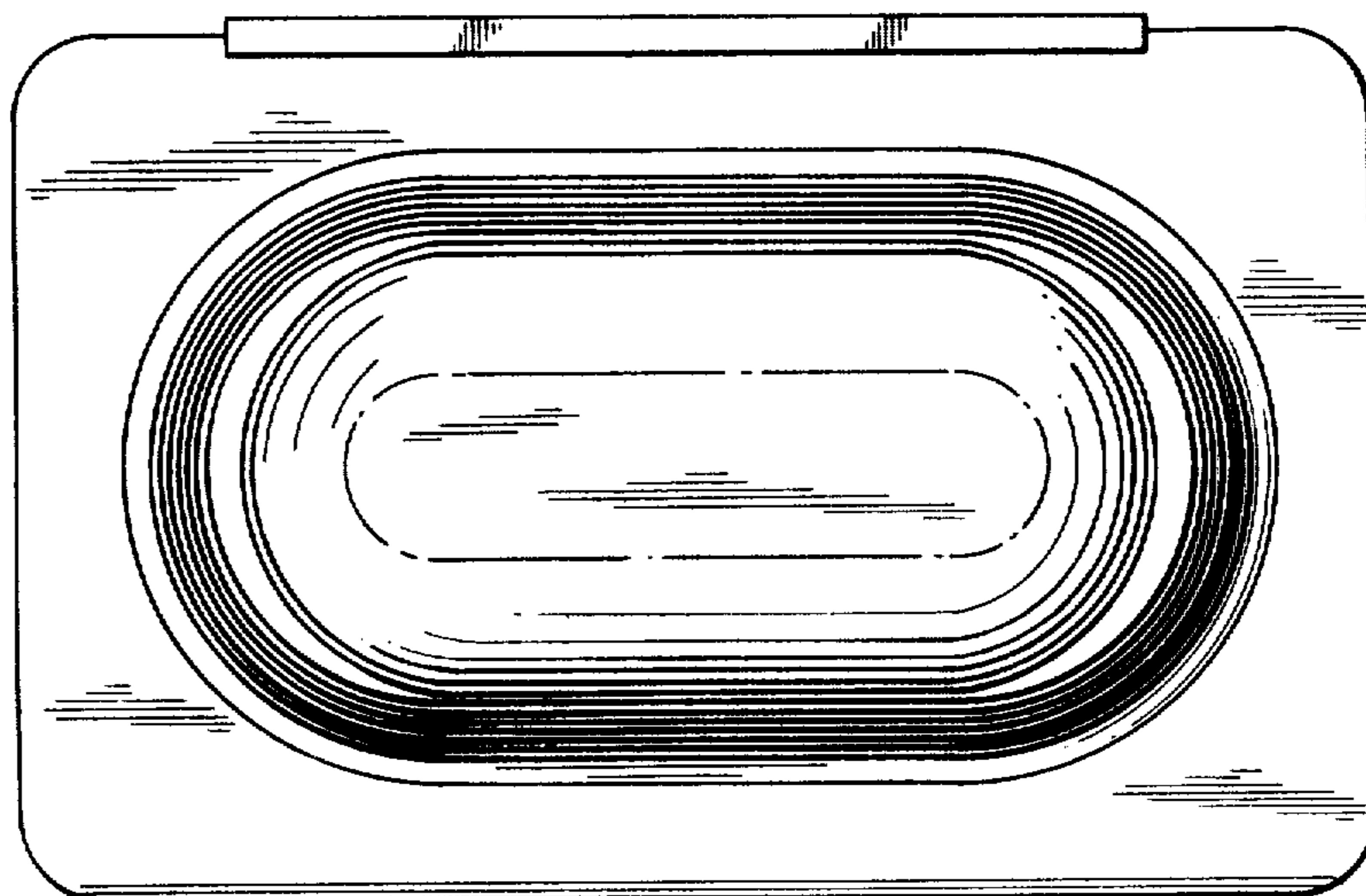


FIG. 5