

[54] **BASEBALL SHOE SOLE**  
 [75] **Inventor: Roberto Muller-Feigelstock,**  
           **Scarsdale, N.Y.**  
 [73] **Assignee: Pony International, Inc., New York,**  
           **N.Y.**  
 [\*\*] **Term: 14 Years**  
 [21] **Appl. No.: 295,336**  
 [22] **Filed: Aug. 24, 1981**  
 [51] **Int. Cl. .... D2-04**  
 [52] **U.S. Cl. .... D2/317**  
 [58] **Field of Search .... D2/309, 313, 311 R,**  
           **D2/314, 317; 36/126, 113, 114, 32 R, 59 C**

3,807,061 4/1974 Krus ..... 36/114

**FOREIGN PATENT DOCUMENTS**

159249 10/1954 Australia ..... 36/126

*Primary Examiner*—Nelson C. Holtje  
*Attorney, Agent, or Firm*—Angelo Notaro; Steven H. Bazerma

[57] **CLAIM**

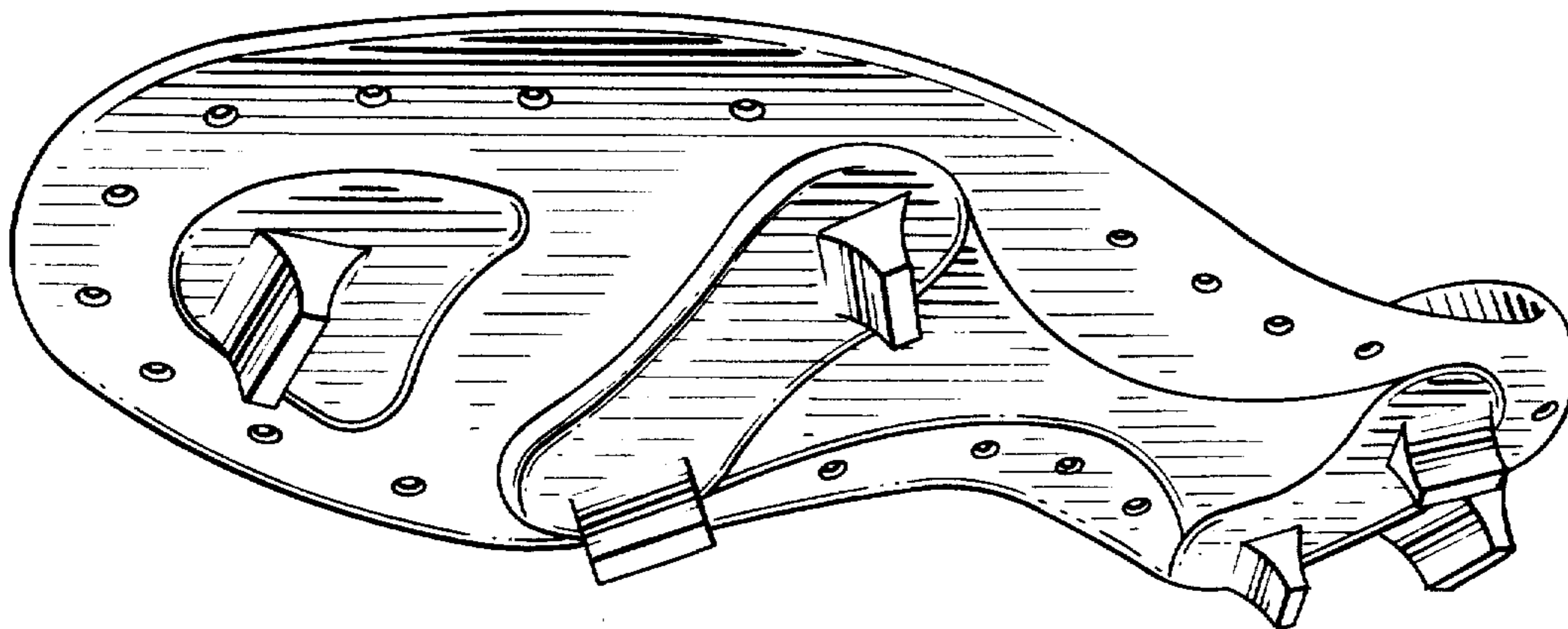
The ornamental design for a baseball shoe sole, as shown and described.

**DESCRIPTION**

FIG. 1 is a bottom and right front perspective view of a baseball shoe sole showing my new design;  
 FIG. 2 is a bottom plan view thereof;  
 FIG. 3 is a right side elevational view thereof;  
 FIG. 4 is a rear elevational view thereof;  
 FIG. 5 is a front elevational view thereof;  
 FIG. 6 is a cross-sectional view as taken from line 6—6 of FIG. 2;  
 FIG. 7 is a cross-sectional view as taken from line 7—7 of FIG. 2.

[56] **References Cited**  
**U.S. PATENT DOCUMENTS**

D. 163,744	6/1951	Capen	.....	D2/320
D. 264,393	5/1982	Sasaki	.....	D2/311
1,923,365	8/1933	Gaines	.....	36/126
3,029,529	4/1962	Schwartz	.....	36/126
3,484,957	12/1969	Druilhet	.....	D2/311 X



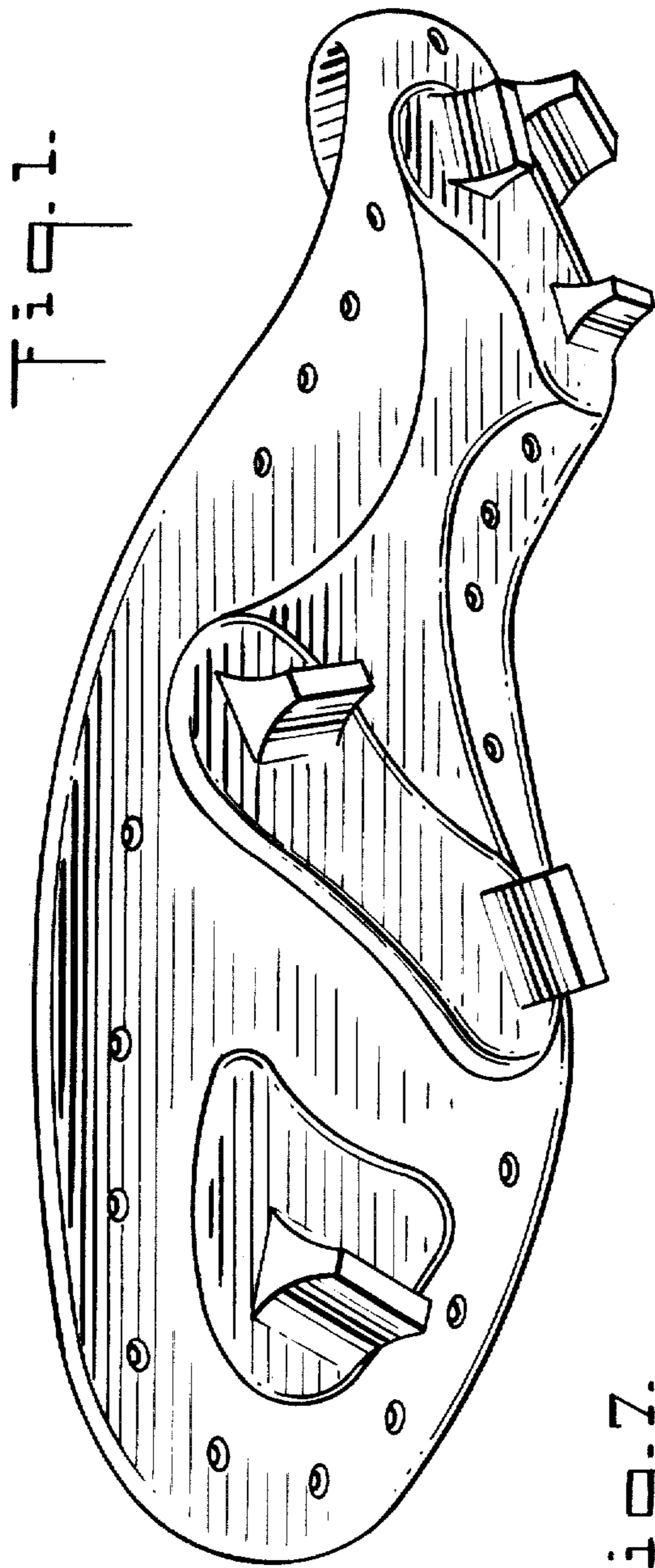


Fig. 1.

Fig. 2.

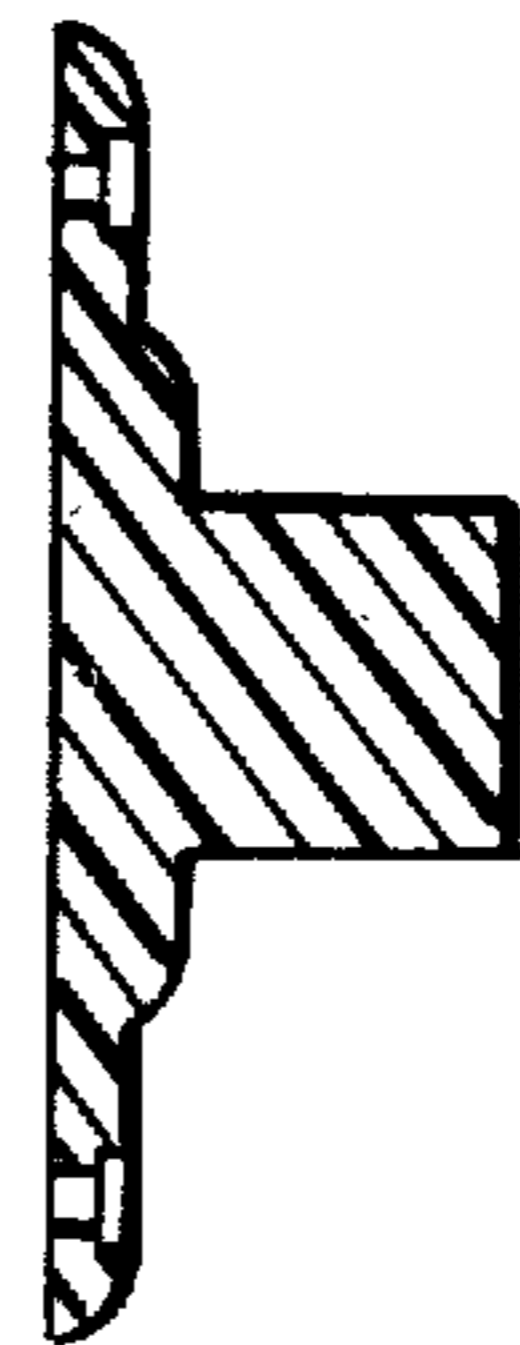


Fig. 6.

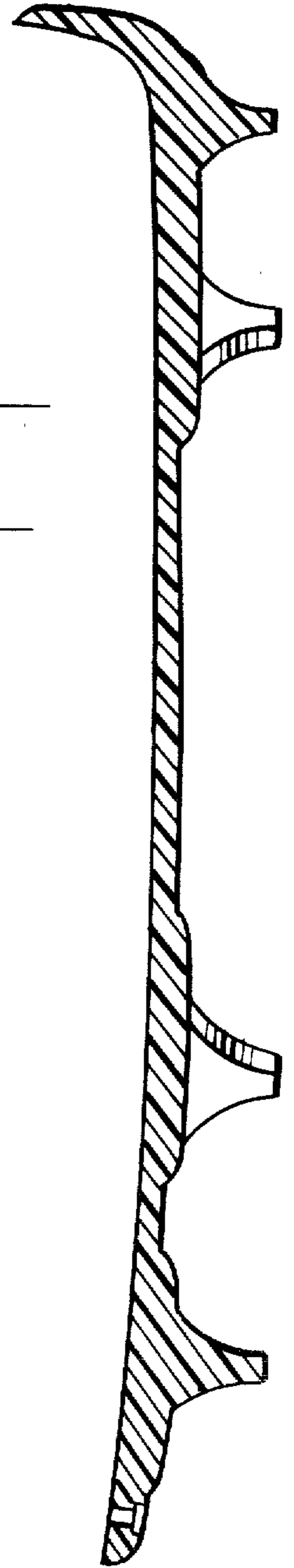


Fig. 2.

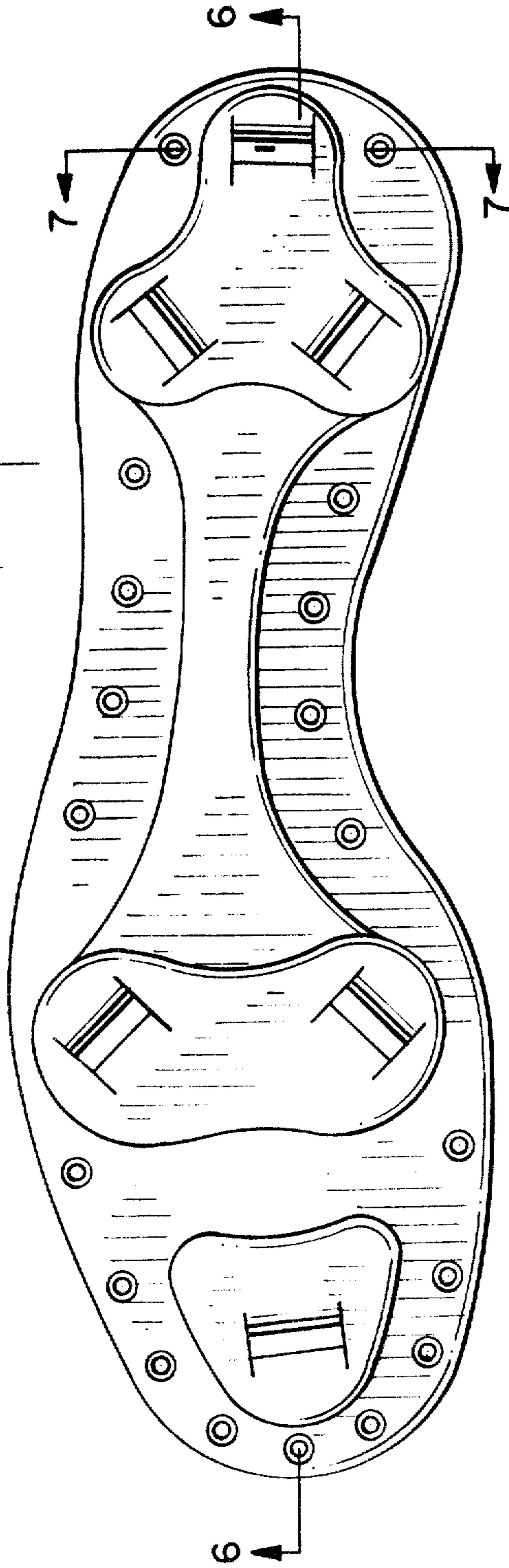


Fig. 4.

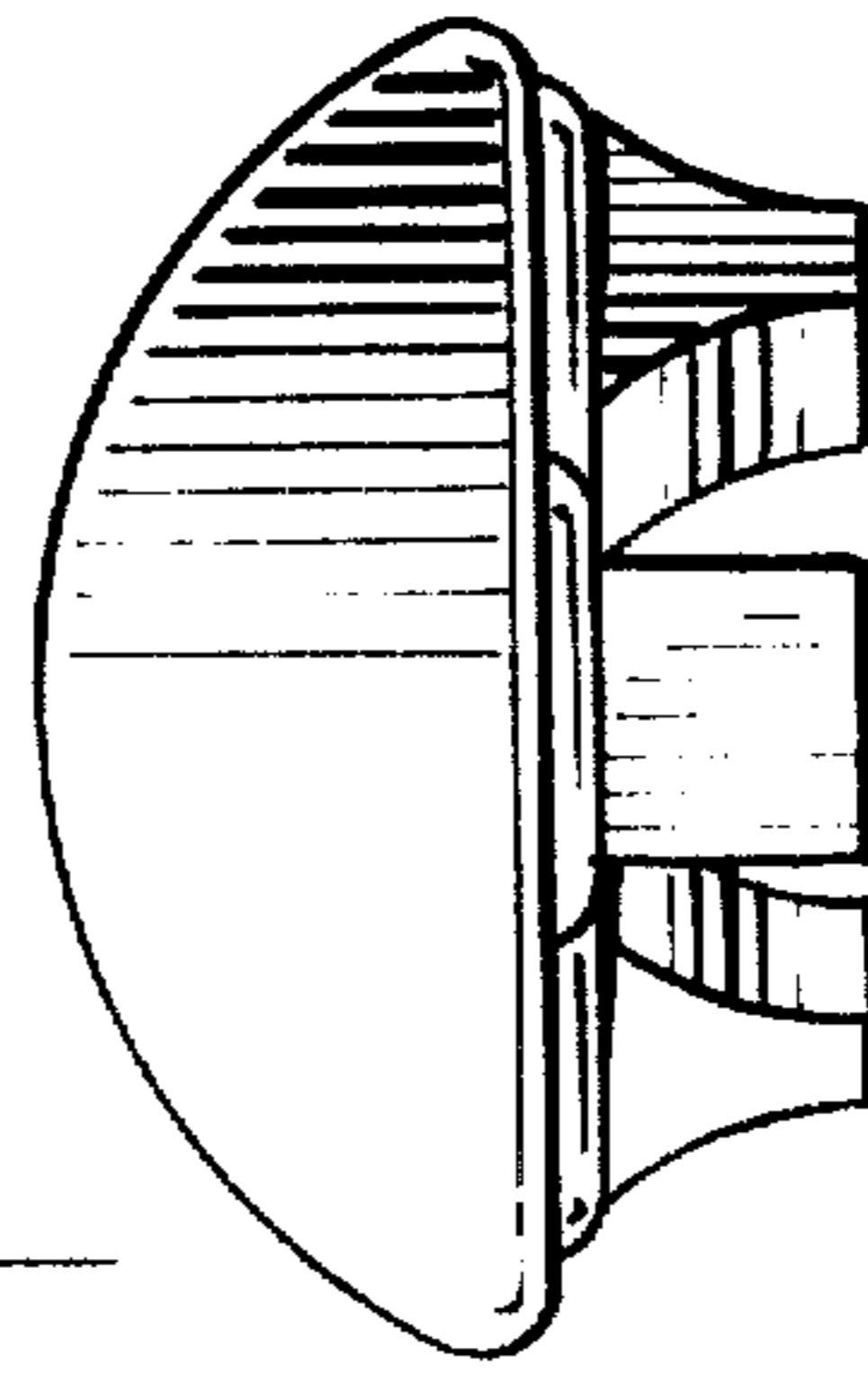


Fig. 5.

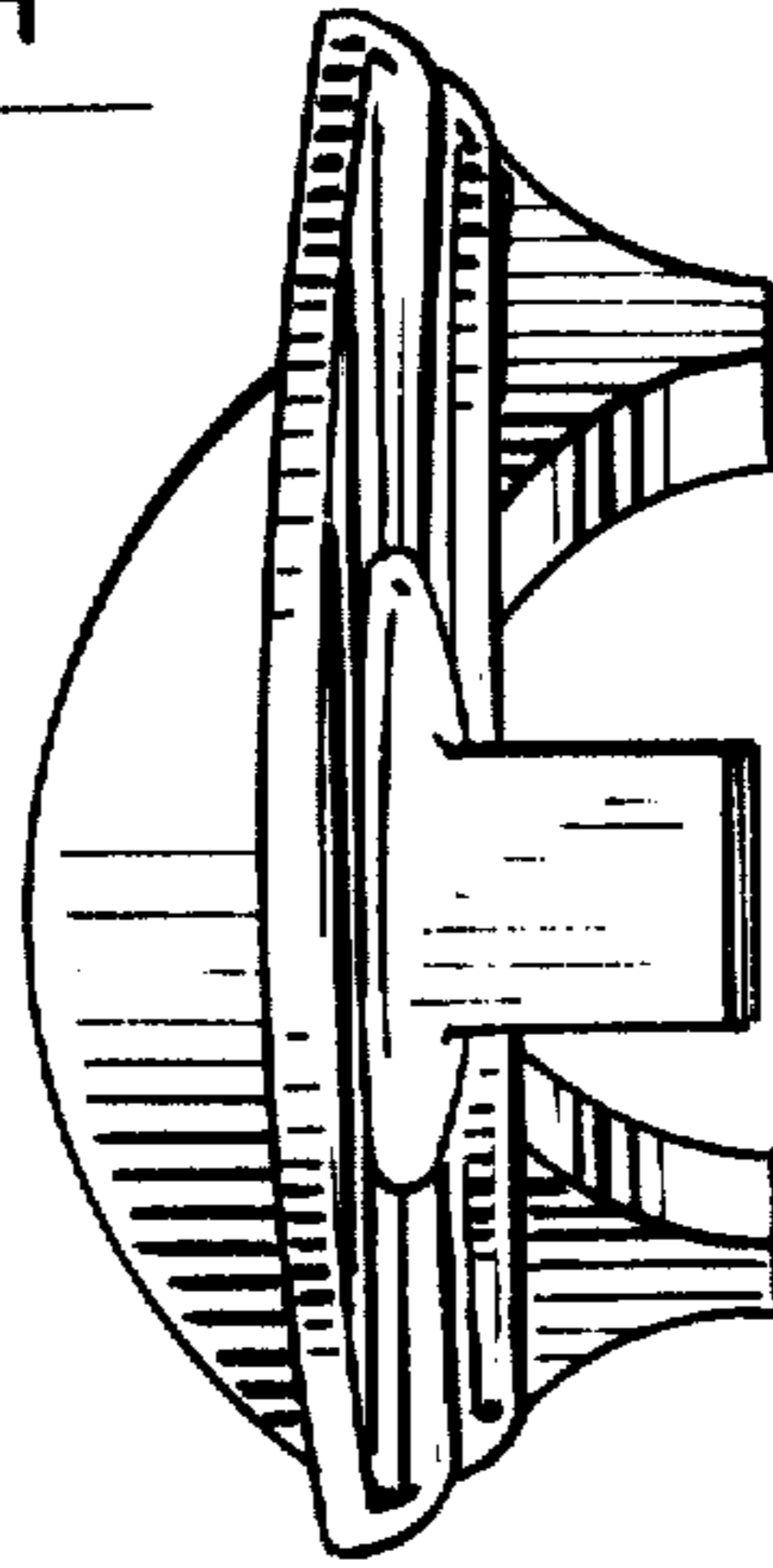


Fig. 3.

