

[54] ICE SCRAPER

[75] Inventor: William F. Castiglione, Denver, Colo.

[73] Assignee: Polaroid Corporation, Cambridge, Mass.

[\*\*] Term: 14 Years

[21] Appl. No.: 187,331

[22] Filed: Sep. 15, 1980

[51] Int. Cl. .... D7-05

[52] U.S. Cl. .... D32/48; D32/49

[58] Field of Search .... D32/35, 46, 48, 49; 15/236; 30/169

[56] References Cited

U.S. PATENT DOCUMENTS

- D. 241,498 9/1976 Smith ..... D32/49
- 1,195,297 8/1916 Vlcek ..... 15/236 R

FOREIGN PATENT DOCUMENTS

32317 10/1919 Norway ..... 15/236 R

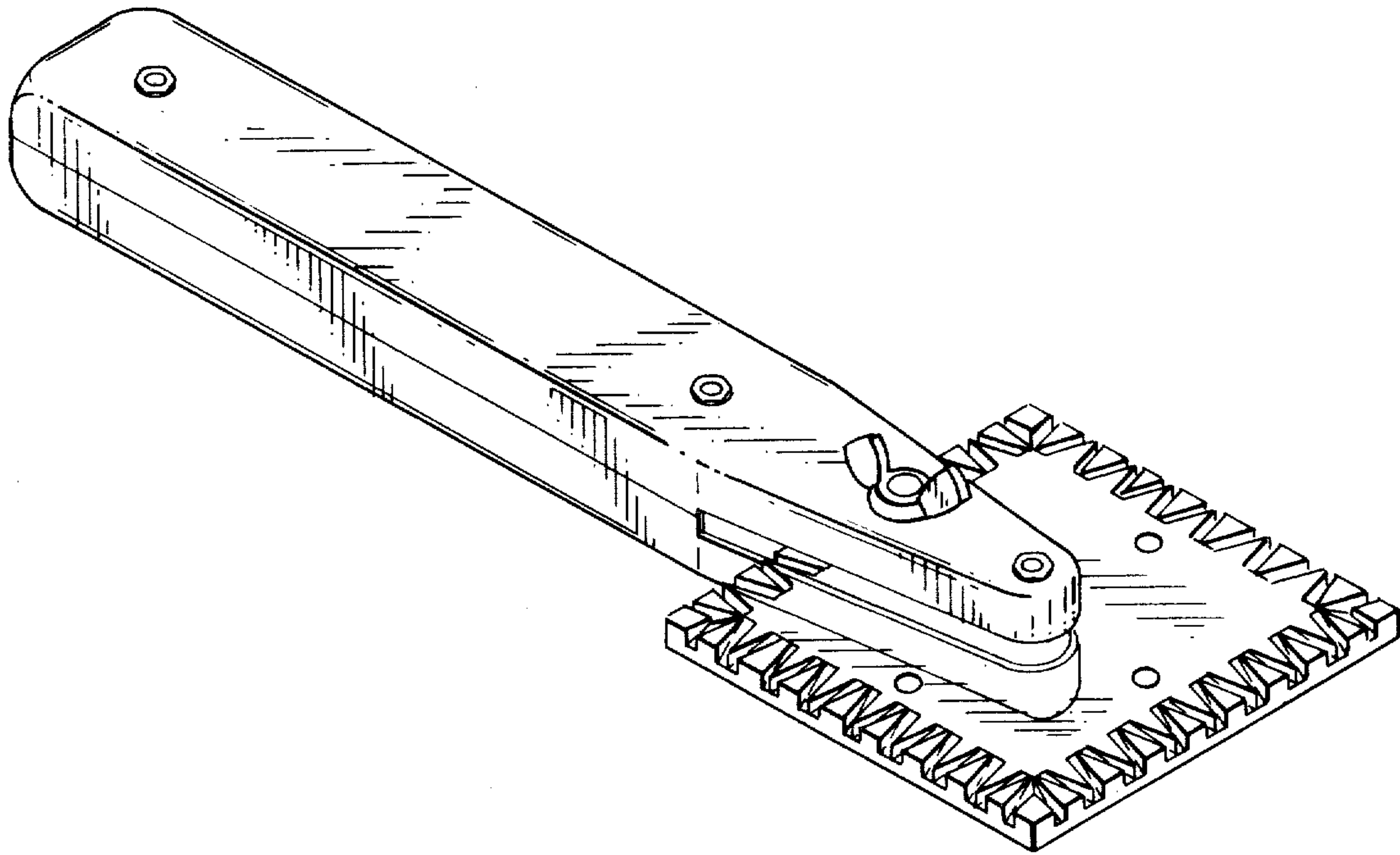
Primary Examiner—Catherine E. Kemper  
Attorney, Agent, or Firm—Francis J. Caufield

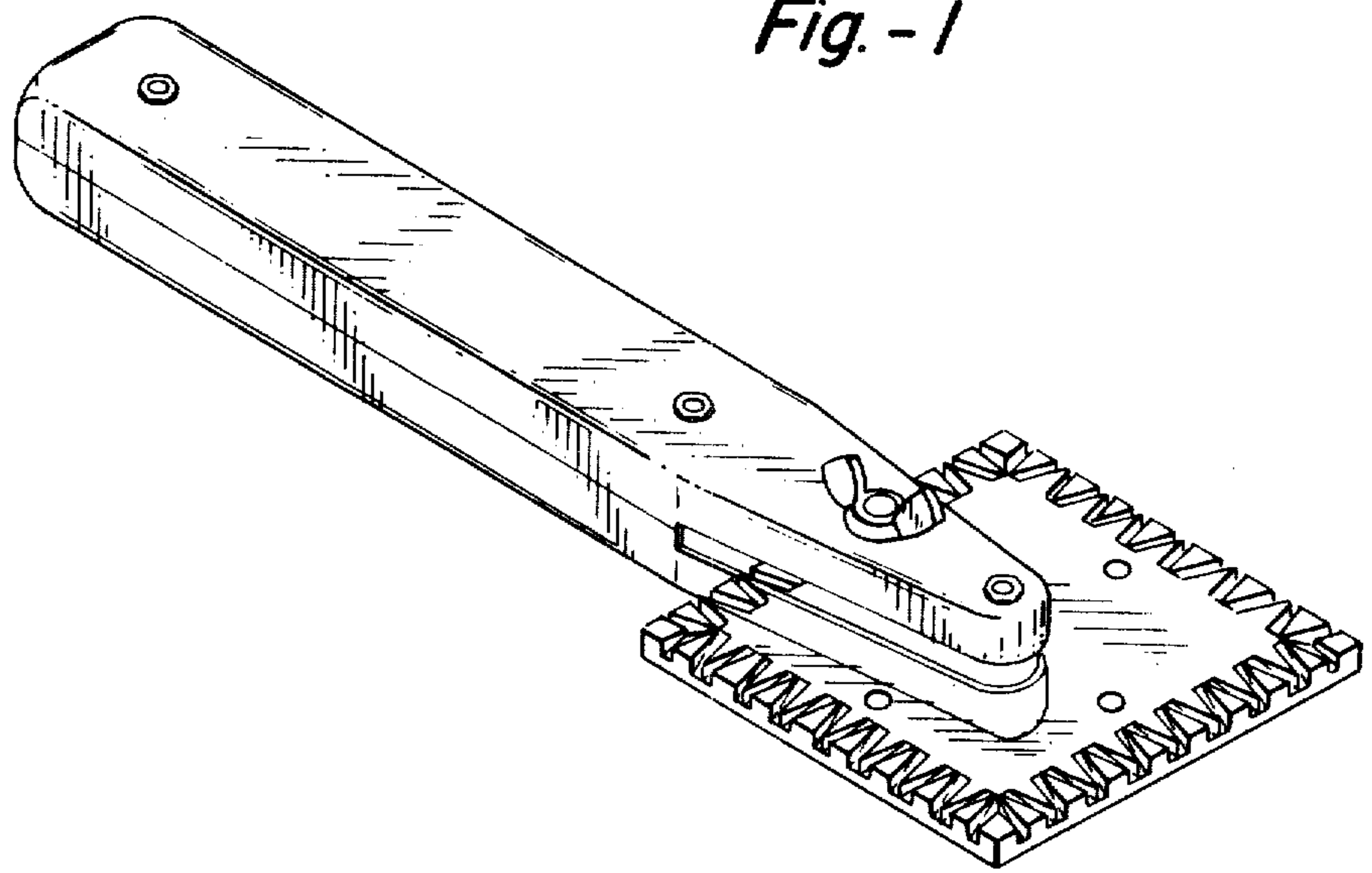
[57] CLAIM

The ornamental design for an ice scraper, as shown and described.

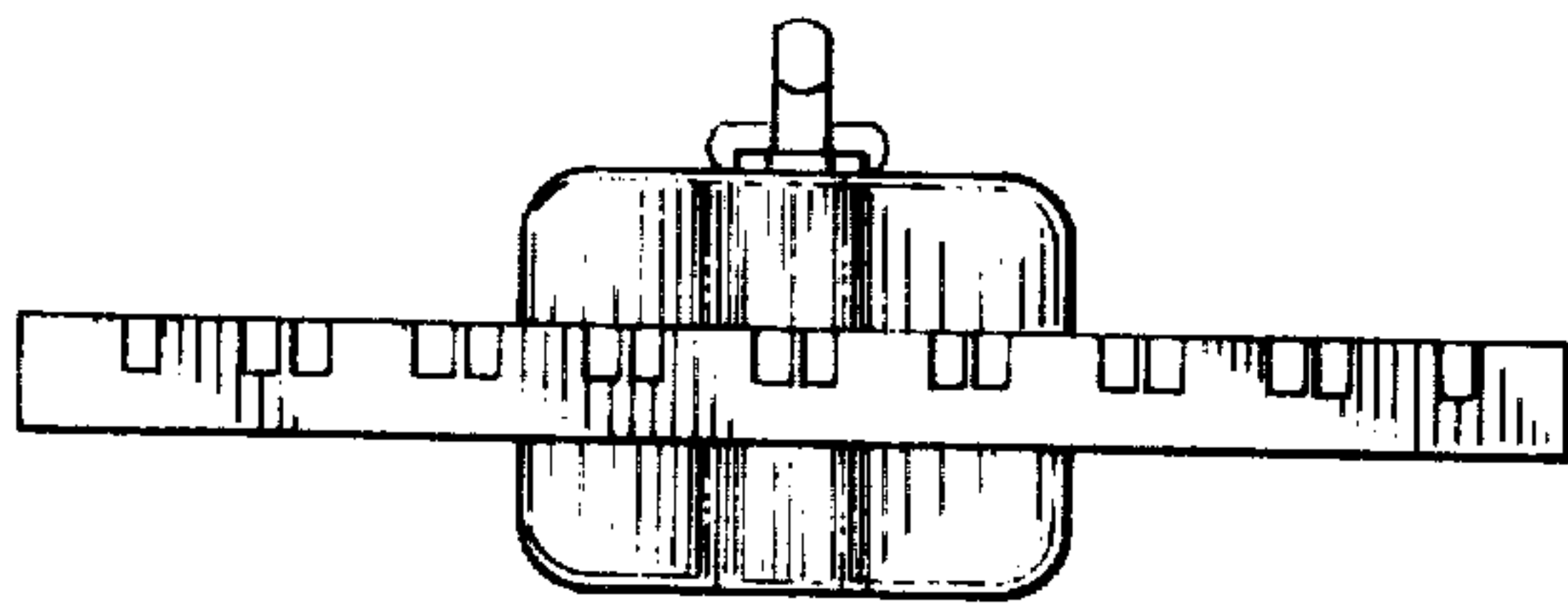
DESCRIPTION

FIG. 1 is a perspective view of an ice scraper showing my new design;  
 FIG. 2 is a front elevational view thereof;  
 FIG. 3 is a rear elevational view thereof;  
 FIG. 4 is a top plan view thereof;  
 FIG. 5 is a right side elevational view thereof, with the left side elevational view being a mirror image of the side shown; and,  
 FIG. 6 is a bottom plan view thereof.

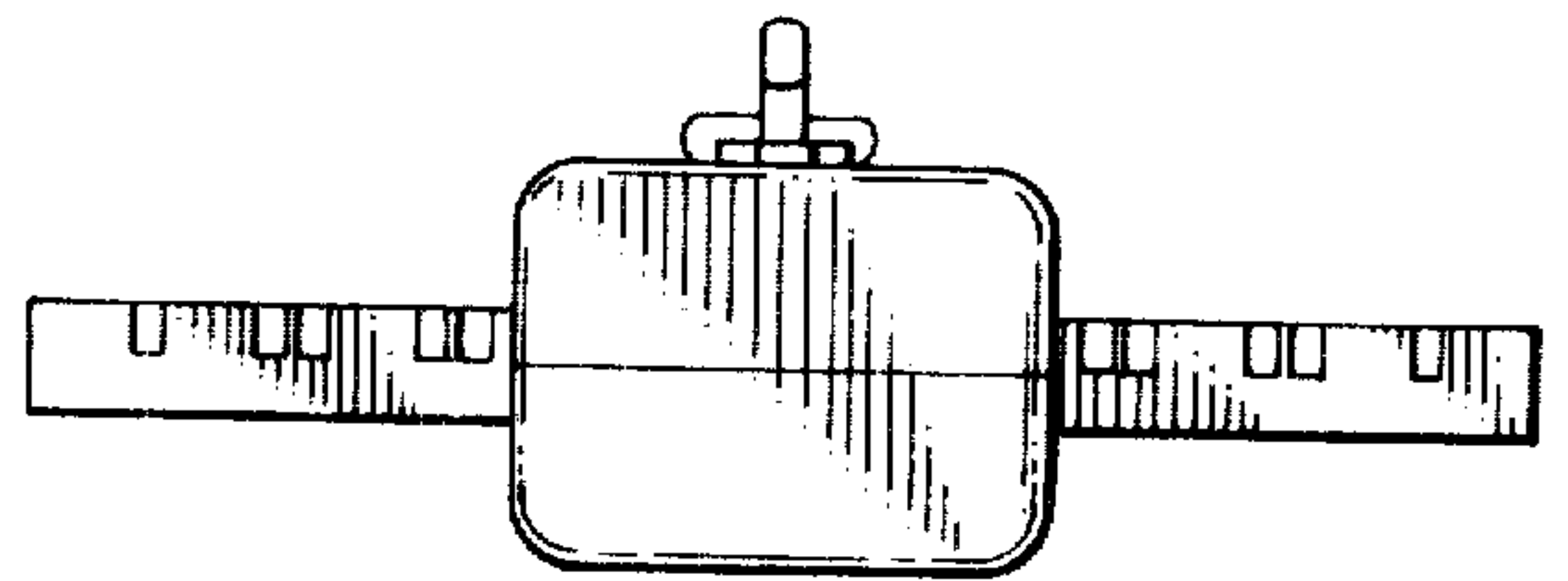


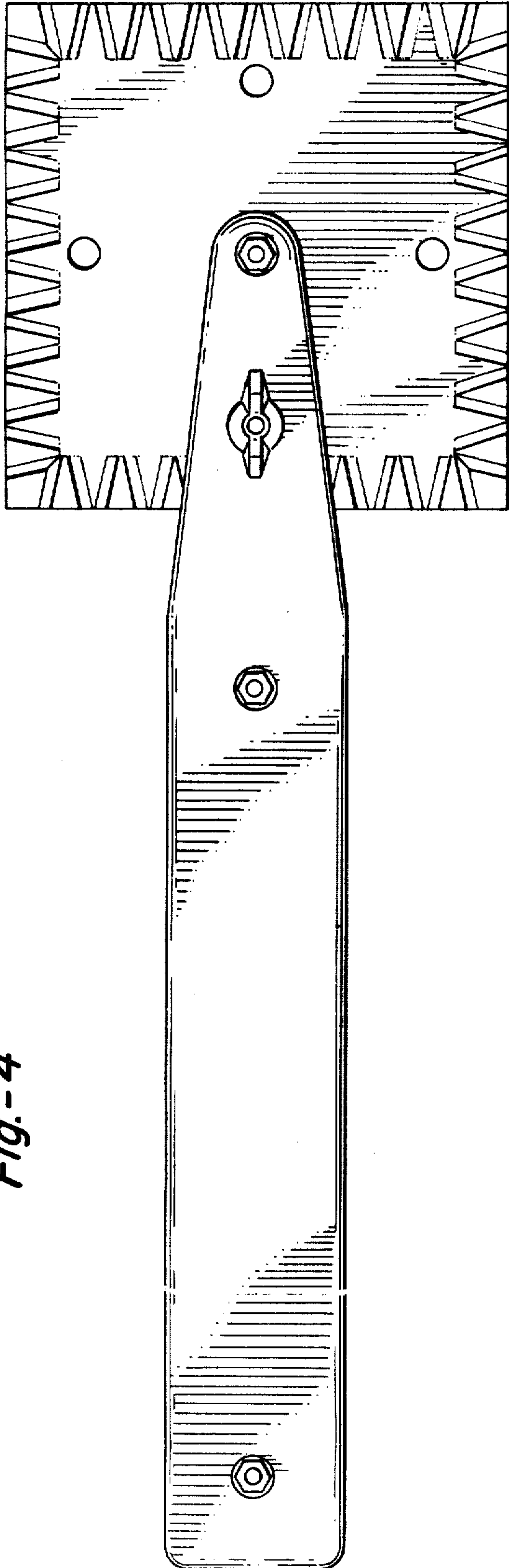


*Fig. - 2*

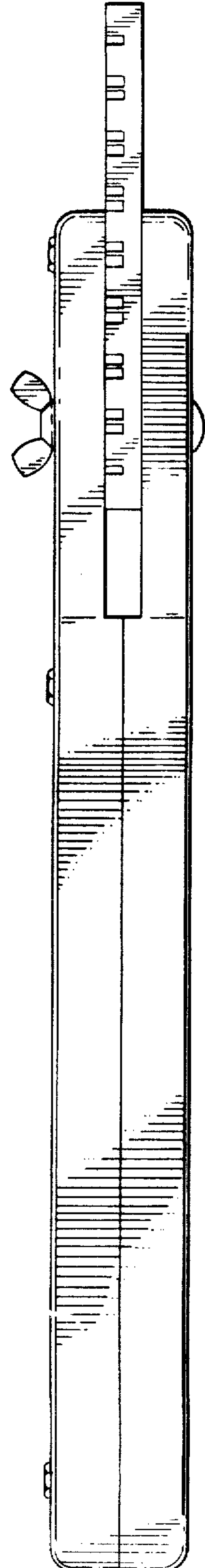


*Fig. - 3*

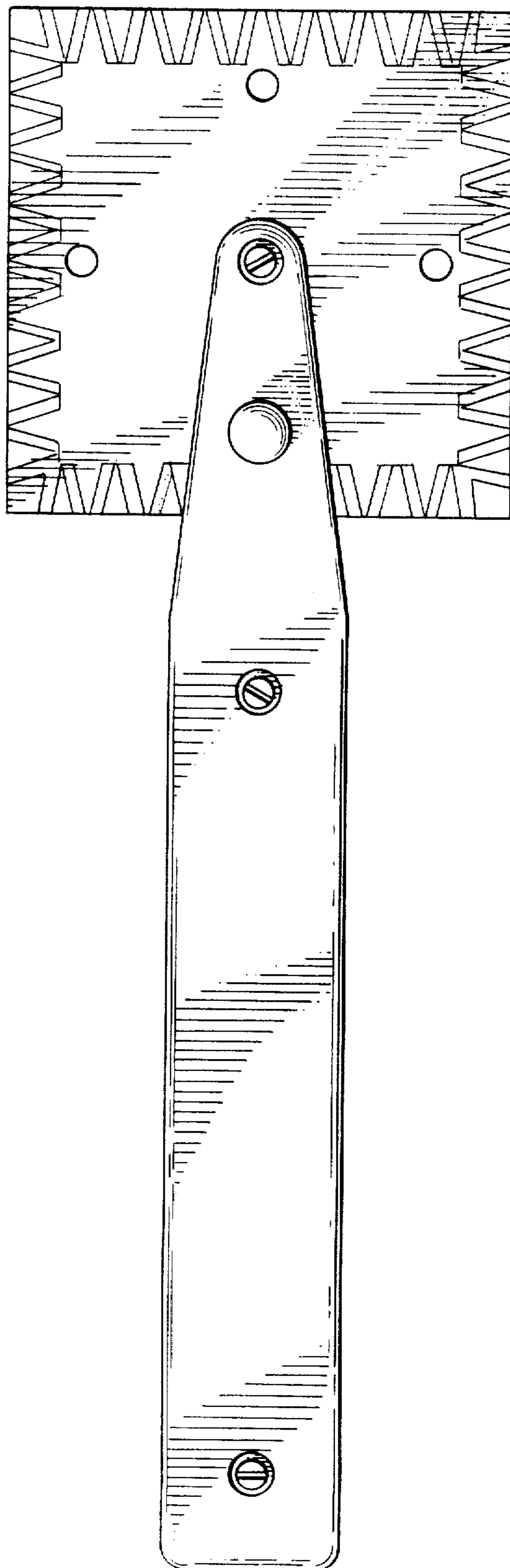




*Fig. - 4*



*Fig. - 5*



*Fig.- 6*

UNITED STATES PATENT AND TRADEMARK OFFICE  
**CERTIFICATE OF CORRECTION**

PATENT NO. : Des. 271,149  
DATED : October 25, 1983  
INVENTOR(S) : William F. Castiglione

It is certified that error appears in the above-identified patent and that said Letters Patent is hereby corrected as shown below:

On the title page, Item [73] should read:

-- Quad Industries, Inc. --.

On the title page, Attorney, Agent or Firm should read

-- Edwin L. Spangler, Jr. --.

**Signed and Sealed this**

*Eleventh Day of June 1985*

[SEAL]

*Attest:*

DONALD J. QUIGG

*Attesting Officer*

*Acting Commissioner of Patents and Trademarks*